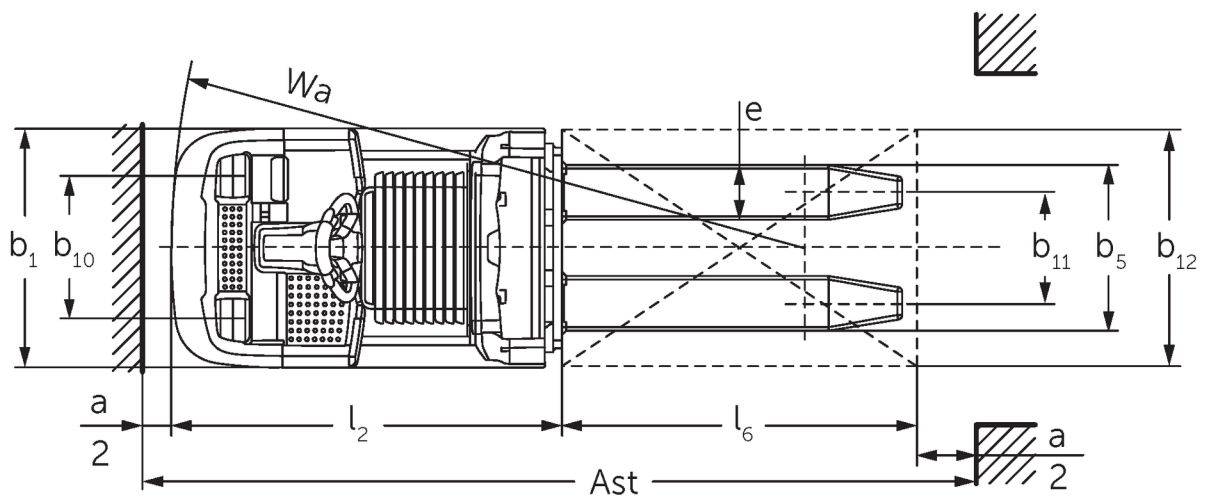
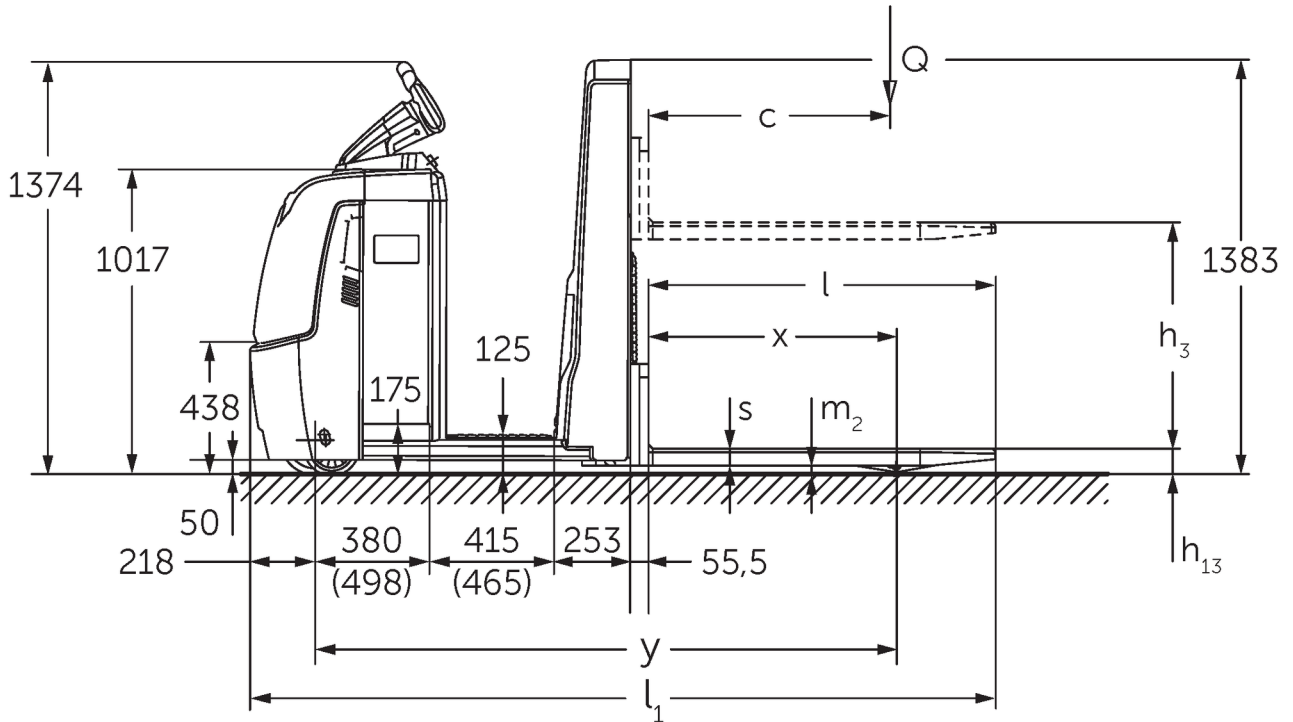




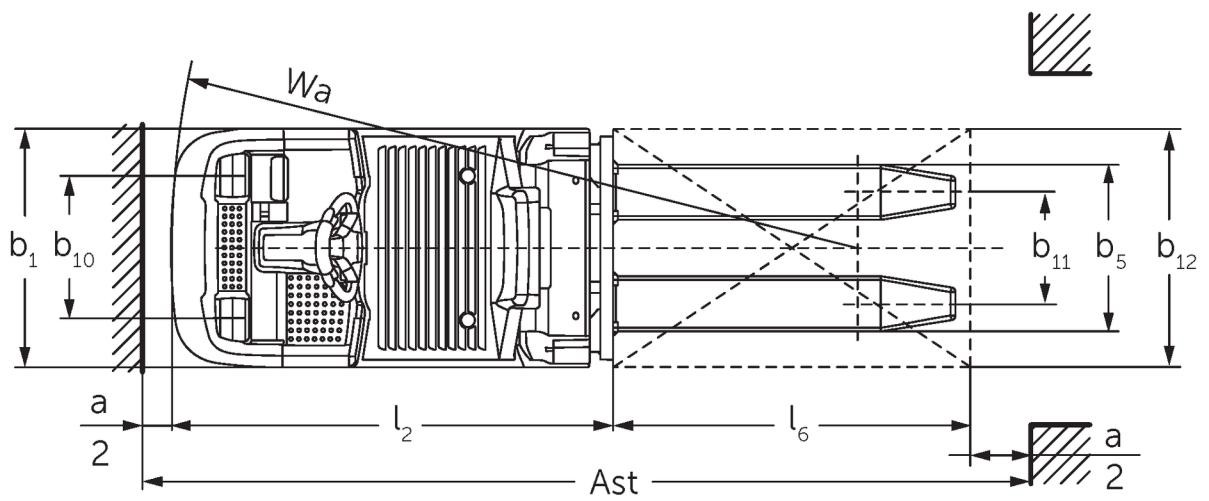
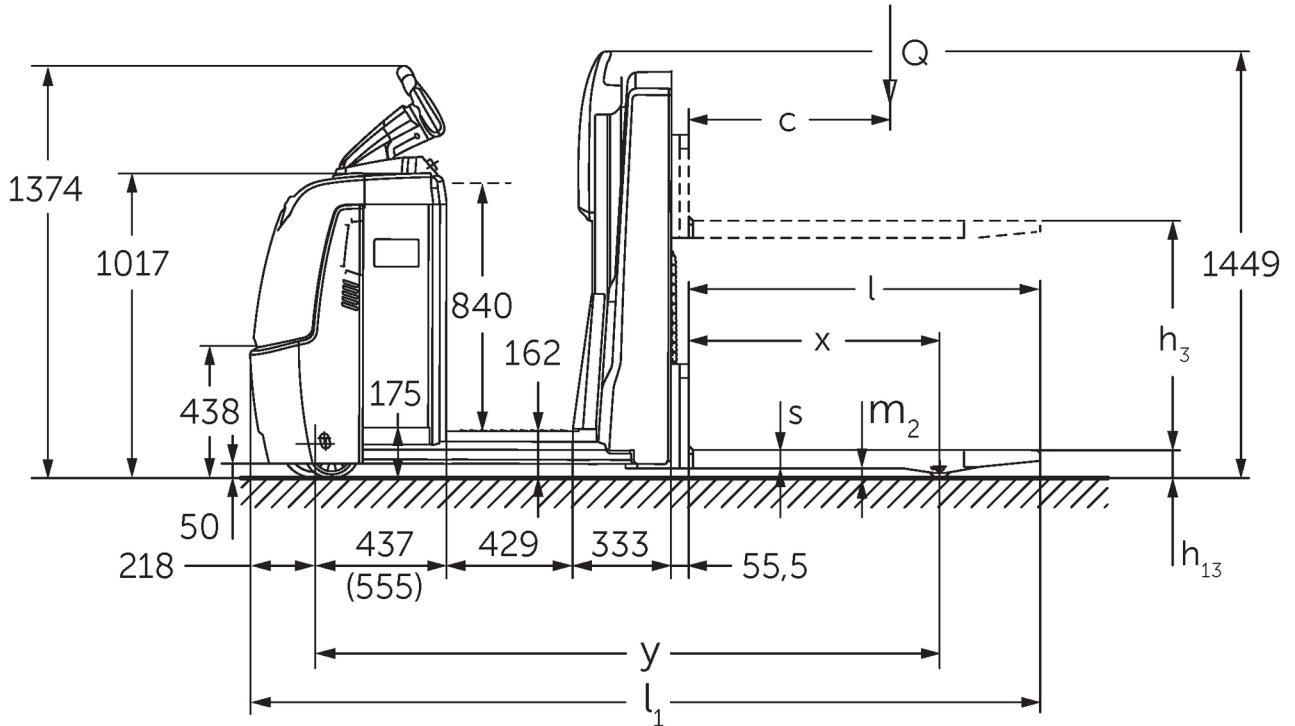
## **Low level order pickers** **ECE 310**

**Lift height: 750 mm / Load capacity: 1000 kg**

# ECE 310



# ECE 310



# VDI table

Stand-on: 08/2022

Characteristic	1.1	Manufacturer (abbreviated description)		Jungheinrich	
	1.2	Manufacturer's type designation		ECE 310	ECE 310 HP
	1.3	Drive		Electric	
	1.4	Operation		Order pickers	
	1.5	Load capacity/load	Q kg	1000	
	1.6	Load centre distance	c mm	600	
	1.8	Load distance, centre of drive axle to fork	x mm	821	
	1.9	Wheelbase	y mm	1925	2075
	Weights	2.1.1	Service weight (incl. battery)	kg	1084
2.2		Axle load laden front/rear	kg	839 / 1245	869 / 1405
2.3		Axle load unladen front/rear	kg	772 / 311	862 / 411
Wheels/suspension system	3.1	Tyres		Polyurethane (PU)	
	3.2	Tyre size, front		Ø 230 x 78	
	3.3	Tyre size, rear		Ø 75 x 95	
	3.4	Additional wheels		Ø 180 x 65	
	3.5	Wheels, number front/back (x=driven)		1+1x/2	
	3.6	Tread width, front	b <sub>10</sub> mm	481	
	3.7	Tread width, rear	b <sub>11</sub> mm	339	
	3.7.1	2. Tread width, rear	mm	379	
Basic dimensions	4.4	Lift (h <sub>3</sub> )	h <sub>3</sub> mm	750	
	4.9	Height of tiller handle in drive position min./max.	mm	1374 / 1418	
	4.15	Height, lowered	h <sub>13</sub> mm	90	
	4.19	Overall length	l <sub>1</sub> mm	2471	2621
	4.20	Length including fork shank	l <sub>2</sub> mm	1321	1471
	4.21.1	Overall width	b <sub>1</sub> mm	810	
	4.22	Fork dimensions	s/e/l mm	56 x 185 x 1150	
	4.25	Width across forks	b <sub>5</sub> mm	560	
	4.32	Ground clearance centre of wheelbase	m <sub>2</sub> mm	30	
	4.34.2	Aisle width (pallet 800x1200 length)	A <sub>st</sub> mm	2721	2871
	4.35	Turning radius	W <sub>a</sub> mm	2142	2292
Performance data	5.1	Travel speed laden/unladen (Efficiency   drivePLUS)	km/h	9.5 / 12.5   9.5 / 14	
	5.2	Lift speed laden/unladen	m/s	0.17 / 0.33	
	5.3	Lowering speed laden/unladen	m/s	0.19 / 0.19	
	5.8	Max. gradeability laden/unladen (Efficiency   drivePLUS)	%	6 / 15   6 / 15	
	5.10	Service brake		generative	
E-motor/Electronics	6.1	Drive motor, performance S2 60 min (Efficiency   drivePLUS)	kW	2.8   3.2	
	6.2	Lift motor, performance with S3	kW	1.5	
	6.4	Battery voltage/nominal capacity	V / Ah	24 / 465	
	6.5	Battery weight	kg	370	
	6.6.1	Energy consumption according to EN cycle (Efficiency   PLUS)	kWh/h	0.4   0.47	
	6.6.2	CO2 equivalent as per EN 16796 (Efficiency   PLUS)	kg/h	0.2   0.3	
	6.7	Throughput (Efficiency   PLUS)	t/h	65   68	64   67
	6.8.1	Energy consumption with max. throughput (Efficiency   PLUS)	kWh/h	1.27   1.47	1.28   1.47

Other	8.1	Type of drive control		AC
	10.5	Steering version		electric
	10.7	Sound level as per EN12053, operator's ear	dB (A)	62
<p>- This data sheet according to VDI guideline 2198 only states the technical values of the standard truck. Different tyres, other masts, additional equipment etc. may result in different values.</p>				

Efficiency: Values of standard package | PLUS: Values of performance package

Values for L battery compartment; fork length 1,150 mm.

- VDI no. 1.9: with XL or XL (ERE) battery compartment:  $y + 118$  mm; with extended stand-on platform:  $y + 50$  mm.
- VDI no. 4.19: with XL or XL (ERE) battery compartment:  $l1 + 118$  mm; with extended stand-on platform:  $l1 + 50$  mm.
- VDI no. 4.20: with XL or XL (ERE) battery compartment:  $l2 + 118$  mm; with extended stand-on platform:  $l2 + 50$  mm.
- VDI no. 4.34.2: with XL or XL (ERE) battery compartment: working aisle width (Ast) + 118 mm; with extended stand-on platform: working aisle width (Ast) + 50 mm; diagonal as per VDI: working aisle width (Ast) + 94 mm.
- VDI no. 4.35: with XL or XL (ERE) battery compartment:  $Wa + 118$  mm; with extended stand-on platform:  $Wa + 50$  mm.
- VDI no. 6.2: with S3 10%.
- VDI no. 6.4: with XL battery compartment: 24 V / 620 Ah.
- VDI no. 6.5: with XL battery compartment: 460 kg.

The German production facilities in  
Norderstedt, Moosburg and Landsberg  
are certified.

ISO 9001  
ISO 14001

Jungheinrich fork lift trucks meet  
European safety requirements.



 **JUNGHEINRICH**

The Jungheinrich logo, featuring a red upward-pointing arrow above the word 'JUNGHEINRICH' in a bold, black, sans-serif font.