

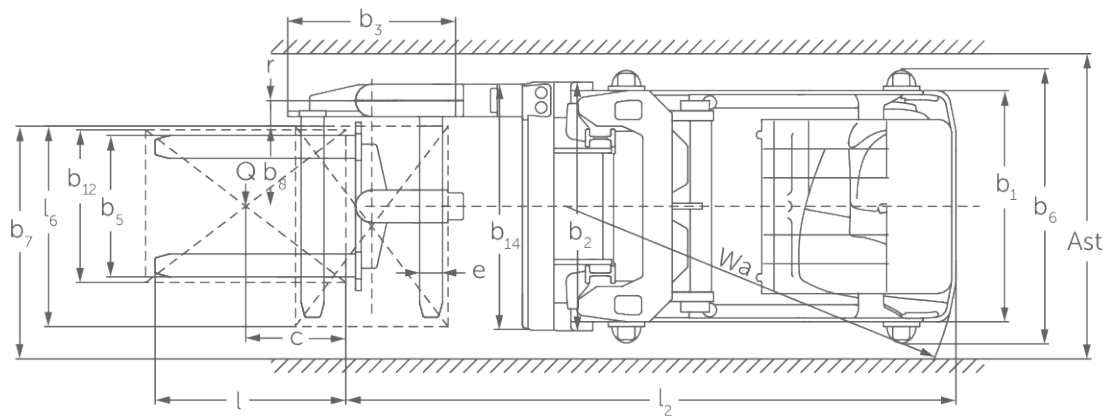
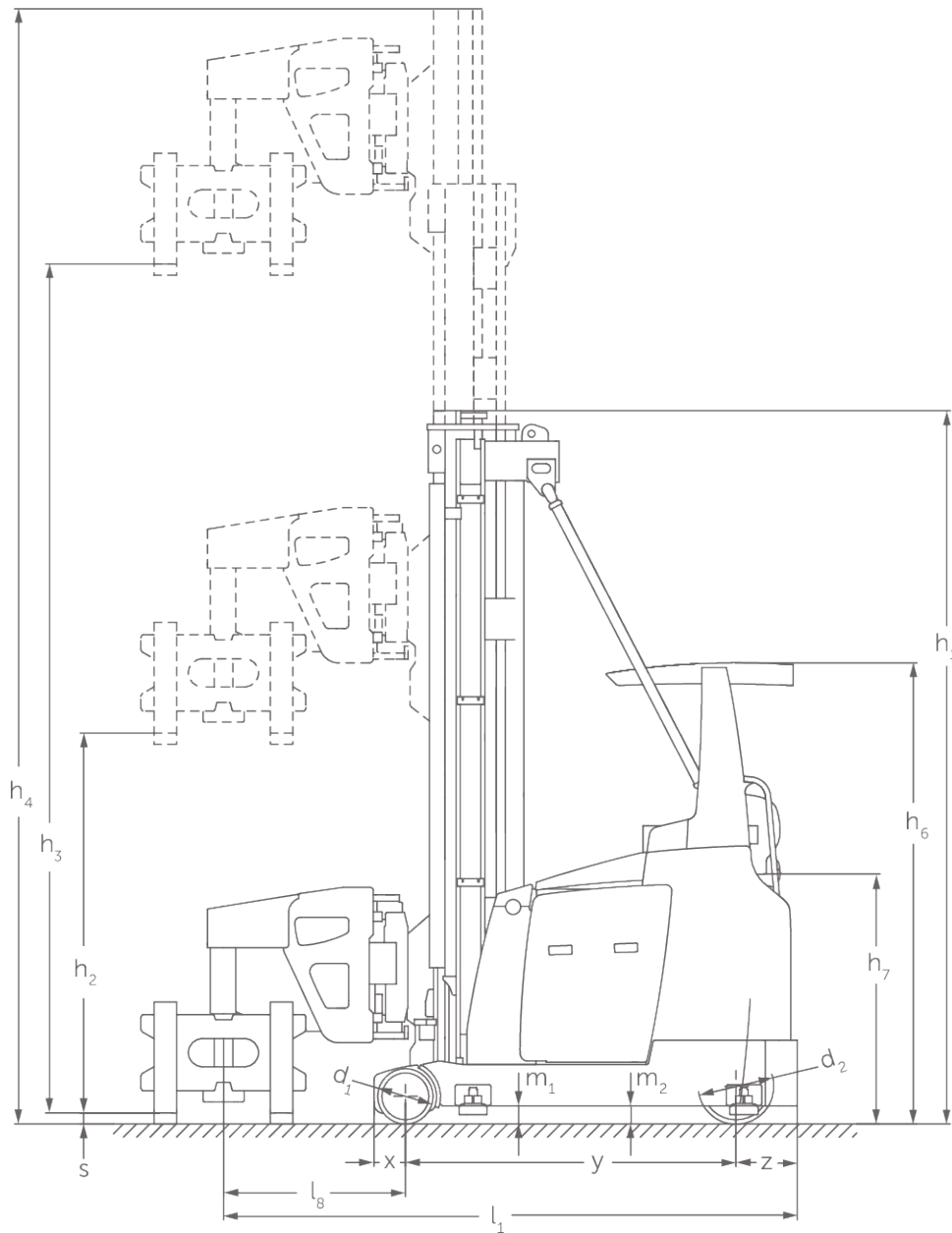


## **Electric sideways-seated / tri-lateral stacker**

**ETX 513 / 515**

**Lift height: 3000-13000 mm / Load capacity: 1200-1500 kg**

# ETX 513 / 515



# ETX 513 / 515

ETX 513	Lift (h3)	Retracted mast height (h1)	Free lift (h2)	Extended mast height (h4)	
Duplex mast ZT	<b>3000 mm</b>	<b>2570 mm</b>		<b>4150 mm</b>	
	3500 mm	2820 mm		4650 mm	
	4000 mm	3070 mm		5150 mm	
	4500 mm	3320 mm		5650 mm	
	5000 mm	3570 mm		6150 mm	
	5500 mm	3820 mm		6650 mm	
	6000 mm	4070 mm		7150 mm	
	6500 mm	4320 mm		7650 mm	
	7000 mm	4570 mm		8150 mm	
	7500 mm	4820 mm		8650 mm	
	8000 mm	5070 mm		9150 mm	
Triplex mast DZ	<b>5500 mm</b>	<b>2900 mm</b>	<b>1750 mm</b>	<b>6650 mm</b>	
	6000 mm	3100 mm	1950 mm	7150 mm	
	6500 mm	3300 mm	2150 mm	7650 mm	
	7000 mm	3500 mm	2350 mm	8150 mm	
	7500 mm	3700 mm	2550 mm	8650 mm	
	8000 mm	3900 mm	2750 mm	9150 mm	
	8500 mm	4100 mm	2950 mm	9650 mm	
	9000 mm	4300 mm	3150 mm	10150 mm	
	9500 mm	4500 mm	3350 mm	10650 mm	
	10000 mm	4700 mm	3550 mm	11150 mm	
	ETX 515	<b>Lift (h3)</b>	<b>Retracted mast height (h1)</b>	<b>Free lift (h2)</b>	<b>Extended mast height (h4)</b>
Duplex mast ZT		<b>3000 mm</b>	<b>2670 mm</b>		<b>4250 mm</b>
		3500 mm	2920 mm		4750 mm
		4000 mm	3170 mm		5250 mm
		4500 mm	3420 mm		5750 mm
		5000 mm	3670 mm		6250 mm
		5500 mm	3920 mm		6750 mm
		6000 mm	4170 mm		7250 mm
		6500 mm	4420 mm		7750 mm
		7000 mm	4720 mm		8250 mm
		7500 mm	4970 mm		8750 mm
	8000 mm	5220 mm		9250 mm	
8500 mm	5470 mm		9750 mm		
9000 mm	5720 mm		10250 mm		
Triplex mast DZ	<b>6000 mm</b>	<b>3200 mm</b>	<b>1950 mm</b>	<b>7250 mm</b>	
	6500 mm	3400 mm	2150 mm	7750 mm	
	7000 mm	3600 mm	2350 mm	8250 mm	
	7500 mm	3800 mm	2550 mm	8750 mm	
	8000 mm	4000 mm	2750 mm	9250 mm	
	8500 mm	4200 mm	2950 mm	9750 mm	
	9000 mm	4400 mm	3150 mm	10250 mm	
	9500 mm	4600 mm	3350 mm	10750 mm	
	10000 mm	4750 mm	3500 mm	11250 mm	
	10500 mm	4950 mm	3700 mm	11750 mm	
	11000 mm	5100 mm	3850 mm	12250 mm	
11500 mm	5300 mm	4050 mm	12750 mm		

12000 mm	5450 mm	4200 mm	13250 mm
12500 mm	5650 mm	4400 mm	13750 mm
13000 mm	5800 mm	4550 mm	14250 mm

# VDI table

Stand-on: 08/2022

Characteristic	1.1	Manufacturer (abbreviated description)			Jungheinrich	
					ETX 513	ETX 515
	1.2	Manufacturer's type designation				
	1.3	Drive			Electric	
	1.4	Operation			Tri-lateral stacker	
	1.5	Load capacity/load	Q	kg	1250	1500
	1.6	Load centre distance	c	mm	600	
	1.8	Load distance, centre of drive axle to fork	x	mm	168	193
	1.9	Wheelbase	y	mm	1764	2094
Weights	2.1	Service weight			6540	7530
	2.2	Axle load laden front/rear			5736 / 2058	6540 / 2490
	2.3	Axle load unladen front/rear			3810 / 2730	4350 / 3180
Wheels/ suspension system	3.1	Tyres			Vulkollan ®	
	3.2	Tyre size, front			Ø 295 x 144	Ø 380 x 192
	3.3	Tyre size, rear			Ø 400 x 160	
	3.5	Wheels, number front/back (x=driven)			2 / 1x	
Basic dimensions	4.2	Retracted mast height (h1)	h <sub>1</sub>	mm	3820	3920
	4.3	Free lift (h2)	h <sub>2</sub>	mm	0	
	4.4	Lift (h3)	h <sub>3</sub>	mm	5500	
	4.5	Extended mast height (h4)	h <sub>4</sub>	mm	6650	6750
	4.7	Height of overhead guard (cab)	h <sub>6</sub>	mm	2461	
	4.8	Seat height/stand height	h <sub>7</sub>	mm	1360	
	4.20	Length including fork shank	l <sub>2</sub>	mm	3176	3475
	4.21.1	Overall width	b <sub>1</sub>	mm	1210	
	4.21.2	Overall width	b <sub>2</sub>	mm	1450	
	4.22	Fork dimensions	s/e/l	mm	40 x 120 x 1200	50 x 120 x 1200
	4.23	Fork carriage connection class			2A	
	4.24	Fork carriage width	b <sub>3</sub>	mm	880	
	4.25	Width across forks	b <sub>5</sub>	mm	845	
	4.29	Reach, lateral			1290	
	4.31	Ground clearance laden under mast	m <sub>1</sub>	mm	80	
	4.32	Ground clearance centre of wheelbase	m <sub>2</sub>	mm	85	
	4.35	Turning radius	W <sub>a</sub>	mm	2135	2460
4.38.4	Pallet width			800		
4.38.5	Pallet length			1200		
Performance data	5.1	Travel speed laden/unladen			10.5 / 10.5	
	5.2	Lift speed laden/unladen			0.45 / 0.46	
	5.3	Lowering speed laden/unladen			0.48 / 0.48	
	5.4	Reach speed laden/unladen			0.3 / 0.3	
	5.10	Service brake			generative	
	5.11	Parking brake			Electric sprung-loaded	
E-motor/ Electronics	6.1	Drive motor, performance S2 60 min			7.6	
	6.2	Lift motor, performance with S3			21	
	6.3	Battery according to DIN 43531/35/36			3 PzS 465	5 PzS 775
	6.4	Battery voltage/nominal capacity	V / Ah		80 / 465	80 / 775
	6.5	Battery weight	kg		1238	1863

Other	8.1	Type of drive control		AC drive control system
	10.5	Steering version		electric
	10.7	Sound level as per EN12053, operator's ear	dB (A)	65

- This data sheet according to VDI guideline 2198 only states the technical values of the standard truck. Different tyres, other masts, additional equipment etc. may result in different values.

The German production facilities in  
Norderstedt, Moosburg and Landsberg  
are certified.

ISO 9001  
ISO 14001

Jungheinrich fork lift trucks meet  
European safety requirements.



 **JUNGHEINRICH**