

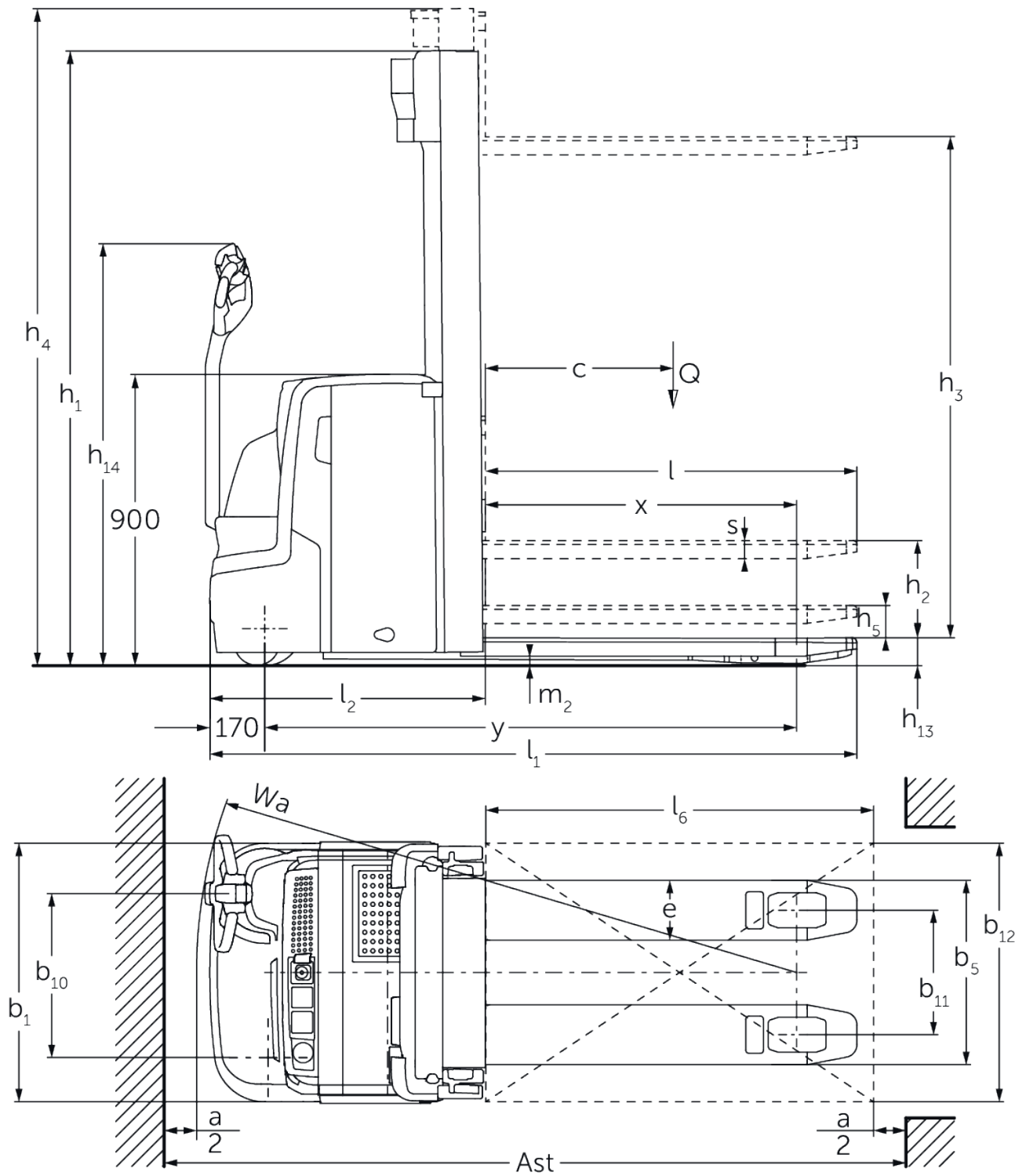


## **Electric pedestrian stacker with support arm lift**

### **EJC 212z-220z**

**Lift height: 2400-6000 mm / Load capacity: 1200-2000 kg**

# EJC 212z-220z



# EJC 212z-220z

<b>EJC 212z</b>	<b>Lift (h3)</b>	<b>Retracted mast height (h1)</b>	<b>Free lift (h2)</b>	<b>Extended mast height (h4)</b>
Duplex mast ZT	2500 mm	1750 mm	100 mm	2975 mm
	2700 mm	1850 mm	100 mm	3175 mm
	2900 mm	1950 mm	100 mm	3375 mm
	3200 mm	2100 mm	100 mm	3675 mm
	3600 mm	2300 mm	100 mm	4075 mm
	4100 mm	2550 mm	100 mm	4575 mm
	4300 mm	2650 mm	100 mm	4775 mm
Duplex mast ZZ	2500 mm	1700 mm	1225 mm	2975 mm
	2900 mm	1900 mm	1425 mm	3375 mm
	3200 mm	2050 mm	1575 mm	3675 mm
	3600 mm	2250 mm	1775 mm	4075 mm
	4100 mm	2500 mm	2025 mm	4575 mm
	4300 mm	2600 mm	2125 mm	4775 mm
Triplex mast DZ	4090 mm	1845 mm	1338 mm	4597 mm
	4300 mm	1915 mm	1408 mm	4807 mm
	4700 mm	2050 mm	1543 mm	5207 mm
<b>EJC 214z</b>	<b>Lift (h3)</b>	<b>Retracted mast height (h1)</b>	<b>Free lift (h2)</b>	<b>Extended mast height (h4)</b>
Duplex mast ZT	2500 mm	1750 mm	100 mm	2975 mm
	2700 mm	1850 mm	100 mm	3175 mm
	2900 mm	1950 mm	100 mm	3375 mm
	3200 mm	2100 mm	100 mm	3675 mm
	3600 mm	2300 mm	100 mm	4075 mm
	4100 mm	2550 mm	100 mm	4575 mm
	4300 mm	2650 mm	100 mm	4775 mm
	4500 mm	2750 mm	100 mm	4975 mm
	Duplex mast ZZ	2500 mm	1700 mm	1225 mm
2900 mm		1900 mm	1425 mm	3375 mm
3200 mm		2050 mm	1575 mm	3675 mm
3600 mm		2250 mm	1775 mm	4075 mm
4100 mm		2500 mm	2025 mm	4575 mm
4300 mm		2600 mm	2125 mm	4775 mm
Triplex mast DZ	4090 mm	1830 mm	1341 mm	4579 mm
	4300 mm	1900 mm	1411 mm	4789 mm
	4690 mm	2030 mm	1541 mm	5179 mm
	5350 mm	2250 mm	1761 mm	5839 mm
<b>EJC 214z, EJC 216z</b>	<b>Lift (h3)</b>	<b>Retracted mast height (h1)</b>	<b>Free lift (h2)</b>	<b>Extended mast height (h4)</b>
Triplex mast DZ	6000 mm	2500 mm	1968 mm	6532 mm
<b>EJC 216z</b>	<b>Lift (h3)</b>	<b>Retracted mast height (h1)</b>	<b>Free lift (h2)</b>	<b>Extended mast height (h4)</b>
Duplex mast ZT	2400 mm	1750 mm	100 mm	2925 mm
	2600 mm	1850 mm	100 mm	3125 mm
	2800 mm	1950 mm	100 mm	3325 mm
	3100 mm	2100 mm	100 mm	3625 mm
	3500 mm	2300 mm	100 mm	4025 mm
	3800 mm	2450 mm	100 mm	4325 mm
	4000 mm	2550 mm	100 mm	4525 mm
	4200 mm	2650 mm	100 mm	4725 mm
	4400 mm	2750 mm	100 mm	4925 mm

Duplex mast ZZ	<b>2400 mm</b>	<b>1700 mm</b>	<b>1175 mm</b>	<b>2925 mm</b>
	2800 mm	1900 mm	1375 mm	3325 mm
	3100 mm	2050 mm	1525 mm	3625 mm
	3500 mm	2250 mm	1725 mm	4025 mm
	4000 mm	2500 mm	1975 mm	4525 mm
	4200 mm	2600 mm	2075 mm	4725 mm
Triplex mast DZ	<b>3990 mm</b>	<b>1830 mm</b>	<b>1298 mm</b>	<b>4522 mm</b>
	4200 mm	1900 mm	1368 mm	4732 mm
	4590 mm	2030 mm	1498 mm	5122 mm
	5250 mm	2250 mm	1718 mm	5782 mm
<b>EJC 220z</b>	<b>Lift (h3)</b>	<b>Retracted mast height (h1)</b>	<b>Free lift (h2)</b>	<b>Extended mast height (h4)</b>
Duplex mast ZT	<b>2540 mm</b>	<b>1950 mm</b>	<b>100 mm</b>	<b>3195 mm</b>
	2840 mm	2100 mm	100 mm	3495 mm
	3540 mm	2450 mm	100 mm	4195 mm
Duplex mast ZZ	<b>2540 mm</b>	<b>1900 mm</b>	<b>1245 mm</b>	<b>3195 mm</b>
	2840 mm	2050 mm	1395 mm	3495 mm
	3540 mm	2400 mm	1745 mm	4195 mm
Triplex mast DZ	<b>3750 mm</b>	<b>1900 mm</b>	<b>1218 mm</b>	<b>4432 mm</b>
	4200 mm	2050 mm	1368 mm	4882 mm
	4800 mm	2250 mm	1568 mm	5482 mm

# VDI table

Stand-on: 08/2022

Characteristic	Code	Description	Unit	Jungheinrich			
				EJC 212z	EJC 214z	EJC 216z	EJC 220z
Characteristic	1.1	Manufacturer (abbreviated description)		Jungheinrich			
	1.2	Manufacturer's type designation		EJC 212z	EJC 214z	EJC 216z	EJC 220z
	1.3	Drive		Electric			
	1.4	Operation		Pedestrian			
	1.5	Load capacity/load	Q kg	1200	1400	1600	2000
	1.5.1	Rated capacity/load with mast lift	Q kg	1200	1400	1600	2000
	1.5.2	Rated capacity/load with support arm lift	Q kg	2000			
	1.6	Load centre distance	c mm	600			
	1.8	Load distance, centre of drive axle to fork	x mm	910			
1.9	Wheelbase	y mm	1571	1592			
Weights	2.1.1	Service weight (incl. battery)	kg	1180	1240	1260	1300
	2.2	Axle load laden front/rear	kg	1105 / 1275	1180 / 1460	1250 / 1610	1300 / 2000
	2.3	Axle load unladen front/rear	kg	840 / 340	880 / 360	900 / 360	910 / 390
Wheels/suspension system	3.1	Tyres		Polyurethane (PU)			
	3.2	Tyre size, front		Ø 230 x 70			
	3.3	Tyre size, rear		Ø 85 x 95		Ø 85 x 75	
	3.4	Additional wheels		Ø 140 x 54			
	3.5	Wheels, number front/back (x=driven)		1x + 1 / 2		1x + 1 / 4	
	3.6	Tread width, front	b <sub>10</sub> mm	507			
	3.7	Tread width, rear	b <sub>11</sub> mm	385			
Basic dimensions	4.2	Retracted mast height (h1)	h <sub>1</sub> mm	1950			2100
	4.3	Free lift (h2)	h <sub>2</sub> mm	100			
	4.4	Lift (h3)	h <sub>3</sub> mm	2900	2800	2840	
	4.5	Extended mast height (h4)	h <sub>4</sub> mm	3375	3325	3495	
	4.6	Initial lift	h <sub>5</sub> mm	122			
	4.9	Height of tiller handle in drive position min./max.	mm	850 / 1305			
	4.15	Height, lowered	h <sub>13</sub> mm	90			
	4.19	Overall length	l <sub>1</sub> mm	1981	2002		
	4.20	Length including fork shank	l <sub>2</sub> mm	831	852		
	4.21.1	Overall width	b <sub>1</sub> mm	800			
	4.22	Fork dimensions	s/ e/l mm	56 x 185 x 1150			
	4.25	Width across forks	b <sub>5</sub> mm	570			
	4.32	Ground clearance centre of wheelbase	m <sub>2</sub> mm	18			
	4.34.1	Aisle width (pallet 1000x1200 sideways)	Ast mm	2217	2238		
	4.34.2	Aisle width (pallet 800x1200 length)	Ast mm	2267	2288		
4.35	Turning radius	W <sub>a</sub> mm	1777	1798			
Performance data	5.1	Travel speed laden/unladen	km/h	6 / 6			
	5.2	Lift speed laden/unladen	m/s	0.2 / 0.4	0.16 / 0.3	0.15 / 0.3	0.11 / 0.34
	5.3	Lowering speed laden/unladen	m/s	0.45 / 0.35			0.5 / 0.35
	5.8	Max. gradeability laden/unladen	%	8 / 16		7 / 16	5 / 16
E-motor/ Electronics	6.1	Drive motor, performance S2 60 min	kW	1.6			
	6.2	Lift motor, performance with S3	kW	3			
	6.3	Battery according to DIN 43531/35/36		no			
	6.4	Battery voltage/nominal capacity	V / Ah	24 / 375			
	6.5	Battery weight	kg	300			288

	6.6.1	Energy consumption according to EN cycle	kWh/h	0.77	0.83	0.91	1.08
	6.6.2	CO2 equivalent as per EN 16796	kg/h	0.4		0.5	0.6
Other	8.1	Type of drive control		AC			
	10.7	Sound level as per EN12053, operator's ear	dB (A)	63			
- This data sheet according to VDI guideline 2198 only states the technical values of the standard truck. Different tyres, other masts, additional equipment etc. may result in different values.							

The values in the table apply for the LX-LBE battery compartment; mast ZT2800 / 2840 / 2900 mm, raised support arms. The battery compartments have no influence on the truck dimensions.

- VDI no. 1.8 with EJC 212z / 214z / 216z: with DZ mast: x - 42 mm; with lowered support arms: x + 54 mm.
- VDI no. 1.8 with EJC 220z: with DZ mast: x - 71 mm; with lowered support arms: x + 54 mm.
- VDI no. 1.9: with lowered support arms: x + 54 mm.
- VDI no. 3.3: tandem: Ø 85 x 75 mm.
- VDI no. 4.19 with EJC 212z / 214z / 216z: with DZ mast: l1 + 42 mm.
- VDI no. 4.19 with EJC 220z: with DZ mast: l1 + 71 mm.
- VDI no. 4.20 with EJC 212z / 214z / 216z: with DZ mast: l2 + 42 mm.
- VDI no. 4.20 with EJC 220z: with DZ mast: l2 + 71 mm.
- VDI no. 4.34.1 with EJC 212z / 214z / 216z: diagonal as per VDI: aisle width + 367 mm. with DZ mast: aisle width + 42 mm.
- VDI no. 4.34.1 with EJC 220z: diagonal as per VDI: aisle width + 367 mm. with DZ mast: aisle width + 71 mm.
- VDI no. 4.34.2 with EJC 212z / 214z / 216z: diagonal as per VDI: aisle width + 204 mm. with DZ mast: aisle width + 42 mm.
- VDI no. 4.34.2 with EJC 220z: diagonal as per VDI: aisle width + 204 mm. with DZ mast: aisle width + 71 mm.
- VDI no. 4.35: with lowered support arms: + 54 mm.
- VDI no. 5.3: with ZZ / DZ mast: the lowering speed in free lift is below the specified values.
- VDI no. 5.8: the values in the table relate to the rated load (1.5). With maximum load in the support arm lift (1.5.2): max. gradeability laden = 5%.

The German production facilities in  
Norderstedt, Moosburg and Landsberg  
are certified.

ISO 9001  
ISO 14001

Jungheinrich fork lift trucks meet  
European safety requirements.



 **JUNGHEINRICH**