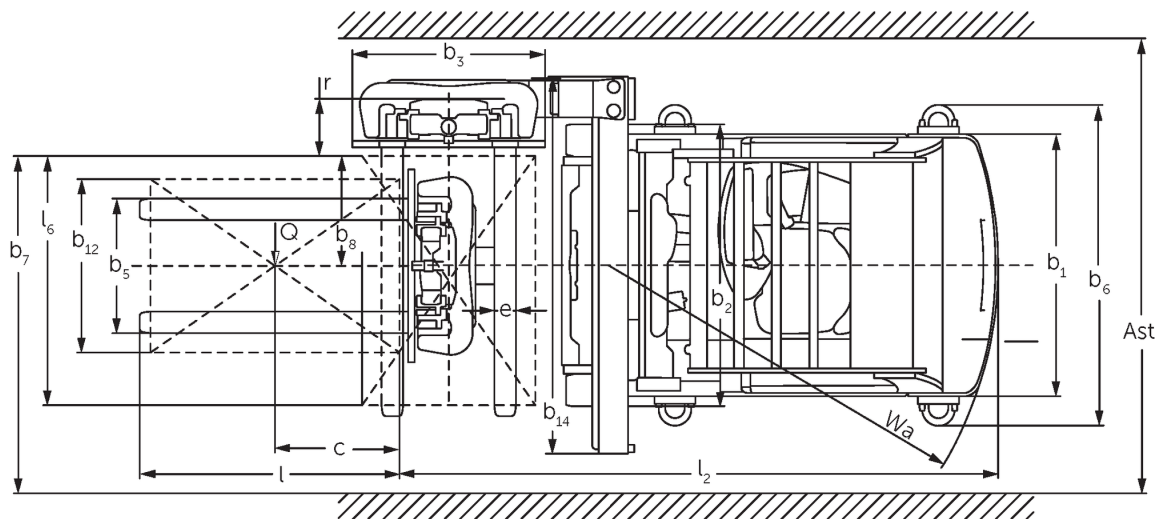
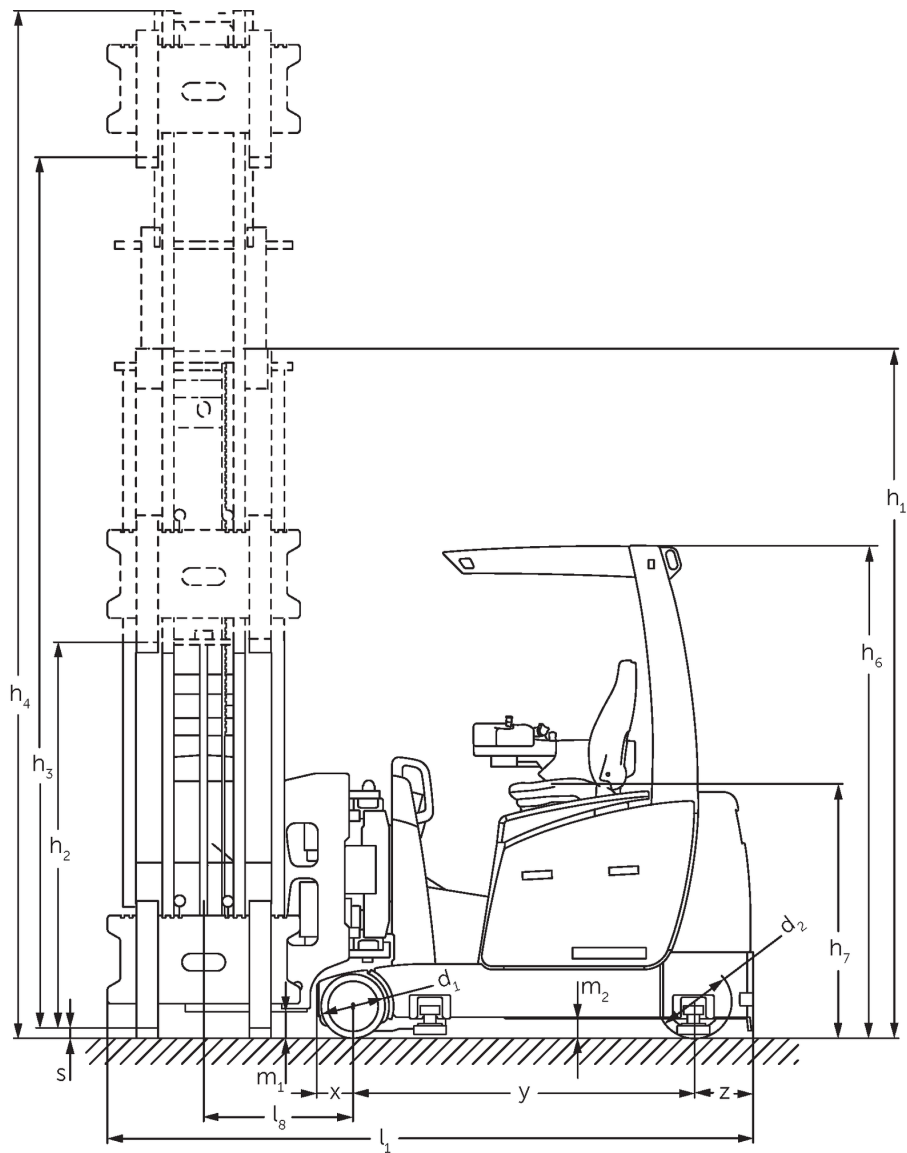




Electric front seat / tri-lateral stacker **EFX 410 / 413**

Lift height: 3000-7000 mm / Load capacity: 1000-1250 kg

EFX 410 / 413



EFX 410 / 413

EFX 410, EFX 413	Lift (h3)	Retracted mast height (h1)	Free lift (h2)	Extended mast height (h4)
Duplex mast ZT	3000 mm	2305 mm	66 mm	3772 mm
	3250 mm	2430 mm	66 mm	4022 mm
	3500 mm	2555 mm	66 mm	4272 mm
	3750 mm	2680 mm	66 mm	4522 mm
	4000 mm	2805 mm	66 mm	4772 mm
	4250 mm	2930 mm	66 mm	5022 mm
	4500 mm	3055 mm	66 mm	5272 mm
	4750 mm	3250 mm	66 mm	5592 mm
	5000 mm	3375 mm	66 mm	5842 mm
	5250 mm	3500 mm	66 mm	6092 mm
	5500 mm	3625 mm	66 mm	6342 mm
	5750 mm	3750 mm	66 mm	6592 mm
	6000 mm	3875 mm	66 mm	6842 mm
	Triplex mast DZ	4000 mm	2100 mm	1410 mm
4250 mm		2190 mm	1500 mm	4940 mm
4500 mm		2280 mm	1590 mm	5190 mm
4750 mm		2370 mm	1680 mm	5440 mm
5000 mm		2460 mm	1770 mm	5690 mm
5250 mm		2550 mm	1860 mm	5940 mm
5500 mm		2640 mm	1950 mm	6190 mm
5750 mm		2730 mm	2040 mm	6440 mm
6000 mm		2820 mm	2130 mm	6690 mm
6250 mm		2910 mm	2220 mm	6940 mm
6500 mm		3000 mm	2310 mm	7190 mm
6750 mm		3090 mm	2400 mm	7440 mm
7000 mm		3180 mm	2490 mm	7690 mm

VDI table

Stand-on: 08/2021

Characteristic	1.1	Manufacturer (abbreviated description)			Jungheinrich	
	1.2	Manufacturer's type designation			EFX 410	EFX 413
	1.3	Drive			Electric	
	1.4	Operation			Tri-lateral stacker	
	1.5	Load capacity/load	Q	kg	1000	1250
	1.6	Load centre distance	c	mm	600	
	1.8	Load distance, centre of drive axle to fork	x	mm	168	
	1.9	Wheelbase	y	mm	1577	
	1.10	Mitte Antriebsrad/Gegengewicht	z	mm	270	
	Weights	2.1.1	Service weight (incl. battery)		kg	5080
2.2		Axle load laden front/rear		kg	4860 / 1300	5370 / 1320
2.3		Axle load unladen front/rear		kg	3230 / 1850	3340 / 2020
Wheels/suspension system	3.1	Tyres			Vulkollan	
	3.2	Tyre size, front			Ø 295 x 144	
	3.3	Tyre size, rear			Ø 343 x 110	
	3.5	Wheels, number front/back (x=driven)			2 / 1x	
	3.6	Tread width, front	b ₁₀	mm	1406	
	Basic dimensions	4.2	Retracted mast height (h1)	h ₁	mm	2805
4.3		Free lift (h2)	h ₂	mm	66	
4.4		Lift (h3)	h ₃	mm	4000	
4.5		Extended mast height (h4)	h ₄	mm	4772	
4.7		Height of overhead guard (cab)	h ₆	mm	2277	
4.8		Seat height/stand height	h ₇	mm	1205	
4.20		Length including fork shank	l ₂	mm	2957	
4.21.1		Overall width	b ₁	mm	1210	
4.21.2		Overall width	b ₂	mm	1550	
4.22		Fork dimensions	s/e/l	mm	40 x 100 x 1200	
4.23		Fork carriage connection class			2B	
4.24		Fork carriage width	b ₃	mm	890	
4.25		Width across forks	b ₅	mm	850	
4.27		Width over guide rollers		mm	1600	
4.29		Reach, lateral		mm	1370	
4.30		Reach, lateral from centre of truck		mm	420	
4.31		Ground clearance laden under mast	m ₁	mm	120	
4.32		Ground clearance centre of wheelbase	m ₂	mm	85	
4.35		Turning radius	W _a	mm	1847	
4.38.4		Pallet width		mm	1200	
4.38.5	Pallet length		mm	1200		
Performance data	5.1	Travel speed laden/unladen		km/h	9 / 9	
	5.2	Lift speed laden/unladen		m/s	0.41 / 0.41	
	5.3	Lowering speed laden/unladen		m/s	0.44 / 0.44	
	5.4	Reach speed laden/unladen		m/s	0.2 / 0.2	
	5.10	Service brake			regenerative	
	5.11	Parking brake			Electric sprung-loaded	

E-motor/ Electronics	6.1	Drive motor, performance S2 60 min	kW	6.9	
	6.2	Lift motor, performance with S3	kW	9.5	
	6.3	Battery according to DIN 43531/35/36		5 PzS 625	6 PzS 750
	6.4	Battery voltage/nominal capacity	V / Ah	48 / 625	48 / 750
	6.5	Battery weight	kg	855	1010
Other	8.1	Type of drive control		AC drive control system	
	10.5	Steering version		electric	
	10.7	Sound level as per EN12053, operator's ear	dB (A)	66.5	
<p>- This data sheet according to VDI guideline 2198 only states the technical values of the standard truck. Different tyres, other masts, additional equipment etc. may result in different values.</p>					

The German production facilities in
Norderstedt, Moosburg and Landsberg
are certified.

ISO 9001
ISO 14001

Jungheinrich fork lift trucks meet
European safety requirements.



 **JUNGHEINRICH**

The Jungheinrich logo, featuring a red upward-pointing arrow above the word 'JUNGHEINRICH' in a bold, black, sans-serif font.