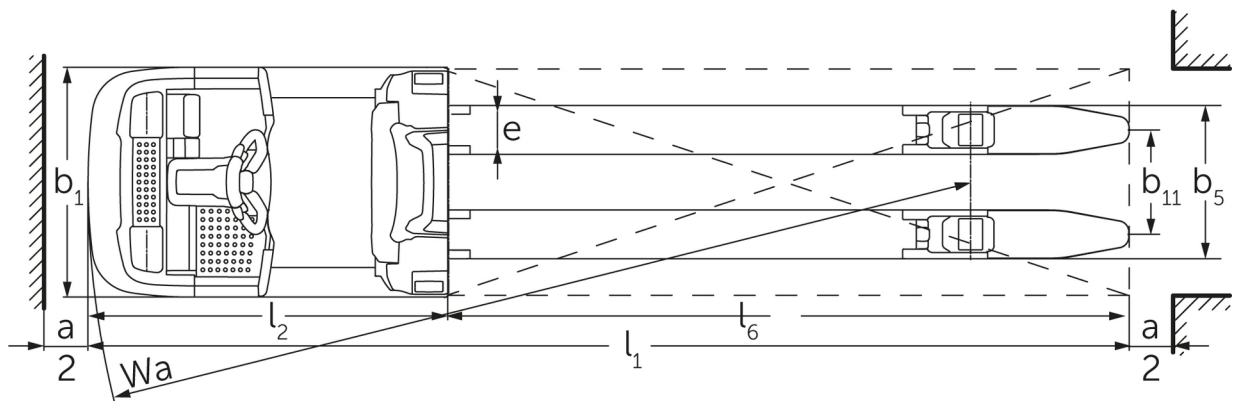
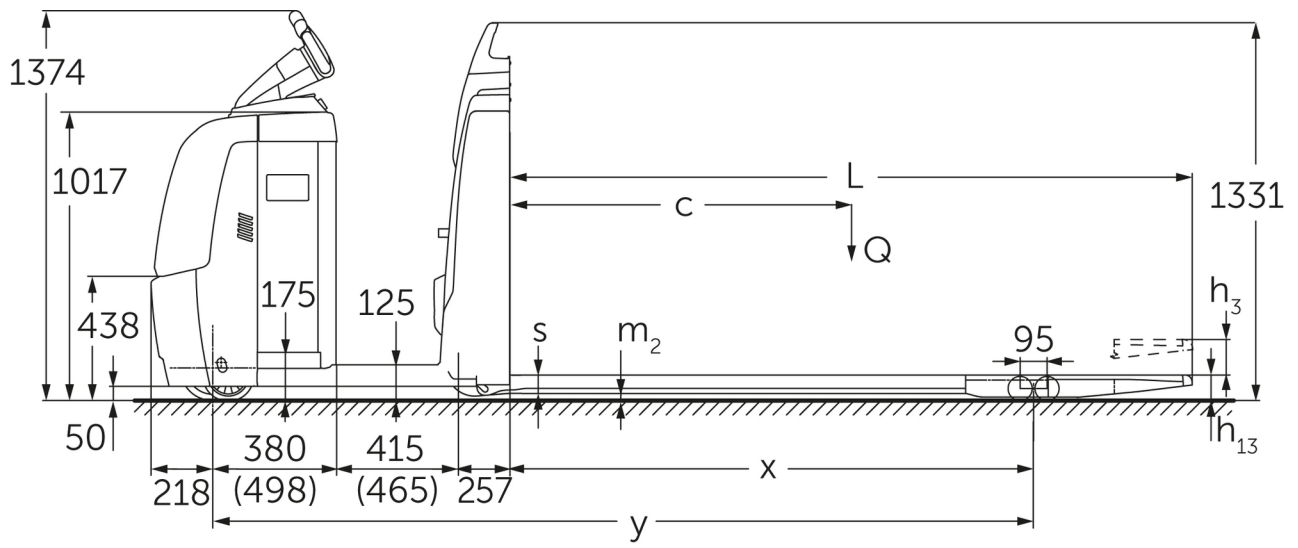




Low level order pickers **ECE 220 / 225**

Lift height: 125 mm / Load capacity: 2000-2500 kg

ECE 220 / 225



ECE 220/225 (2015)

VDI table

Stand-on: 08/2021

Characteristic	1.1	Manufacturer (abbreviated description)	Jungheinrich						
			ECE 220	ECE 220 HP	ECE 225	ECE 225 HP			
Characteristic	1.2	Manufacturer's type designation							
	1.3	Drive	Electric						
	1.4	Operation	Order pickers						
	1.5	Load capacity/load	Q	kg	2000	2500			
	1.6	Load centre distance	c	mm	600	1200			
	1.8	Load distance, centre of drive axle to fork	x	mm	882	1518			
	1.9	Wheelbase	y	mm	1934	2084	2570	2720	
	Weights	2.1.1	Service weight (incl. battery)		kg	893	1028	975	1110
		2.2	Axle load laden front/rear		kg	992 / 1901	1048 / 1980	1130 / 2345	1135 / 2475
2.3		Axle load unladen front/rear		kg	682 / 211	768 / 260	763 / 212	847 / 263	
Wheels/suspension system	3.1	Tyres	PU						
	3.2	Tyre size, front	Ø 230 x 78						
	3.3	Tyre size, rear	Ø 85 x 85						
	3.4	Additional wheels	Ø 180 x 65						
	3.5	Wheels, number front/back (x=driven)	1+1x/4						
	3.6	Tread width, front	b ₁₀	mm	481				
	3.7	Tread width, rear	b ₁₁	mm	338				
	3.7.1	2. Tread width, rear		mm	368				
	3.7.2	3. Tread width, rear		mm	498				
Basic dimensions	4.4	Lift (h ₃)	h ₃	mm	125				
	4.9	Height of tiller handle in drive position min./max.		mm	1374 / 1418				
	4.15	Height, lowered	h ₁₃	mm	90				
	4.19	Overall length	l ₁	mm	2420	2570	3670	3820	
	4.20	Length including fork shank	l ₂	mm	1270	1420	1270	1420	
	4.21.1	Overall width	b ₁	mm	810				
	4.22	Fork dimensions	s/ e/l	mm	60 x 172 x 1150		60 x 172 x 2400		
	4.25	Width across forks	b ₅	mm	510				
	4.32	Ground clearance centre of wheelbase	m ₂	mm	25				
	4.34.1	Aisle width (pallet 800x1200 length)	A _{st}	mm	2670	2820	3870	4020	
4.35	Turning radius	W _a	mm	2152	2302	2788	2938		
Performance data	5.1	Travel speed laden/unladen (Efficiency drivePLUS)		km/h	9.5 / 12.5 0 / 0		9.5 / 12.5 9.2 / 14		
	5.2	Lift speed laden/unladen		m/s	0.07 / 0.1				
	5.3	Lowering speed laden/unladen		m/s	0.07 / 0.06				
	5.8	Max. gradeability laden/unladen (Efficiency drivePLUS)		%	6 / 15 0 / 0		6 / 15 6 / 15		
	5.10	Service brake			generative				
E-motor/Electronics	6.1	Drive motor, performance S2 60 min (Efficiency drivePLUS)		kW	2.8 0		2.8 3.2		
	6.2	Lift motor, performance with S3		kW	1.5				
	6.4	Battery voltage/nominal capacity		V / Ah	24 / 465				
	6.5	Battery weight		kg	370				
	6.6.1	Energy consumption according to EN cycle (Efficiency PLUS)		kWh/h	0.41 0		0.41 0.47		
	6.6.2	CO2 equivalent as per EN 16796 (Efficiency PLUS)		kg/h	-				
	6.7	Throughput (Efficiency PLUS)		t/h	136 0		170 180		
	6.8.1	Energy consumption with max. throughput (Efficiency PLUS)		kWh/h	1.36 0	1.37 0	1.38 1.41	1.39 1.47	

Other	8.1	Type of drive control		AC
	10.5	Steering version		electric
	10.7	Sound level as per EN12053, operator's ear	dB (A)	62
- This data sheet according to VDI guideline 2198 only states the technical values of the standard truck. Different tyres, other masts, additional equipment etc. may result in different values.				

Efficiency: Werte Standardpaket | PLUS: Werte Leistungspaket

With ECE 220 (HP) values for L battery compartment; Efficiency performance package; fork length 1,150 mm; raised load section. No performance package is available; values are therefore specified as 0 for the performance packages.

With ECE 225 (HP) values for L battery compartment; drivePLUS performance package; fork length 2,400 mm; raised load section.

- VDI no. 1.8: with lowered load section: x + 82 mm.

- VDI no. 1.9: with XL or XL (ERE) battery compartment: y + 118 mm; with extended stand-on platform: y + 50 mm; with lowered load section: x + 82 mm.

- VDI no. 4.19: with XL or XL (ERE) battery compartment: l1 + 118 mm; with extended stand-on platform: l1 + 50 mm.

- VDI no. 4.20: with XL or XL (ERE) battery compartment: l2 + 118 mm; with extended stand-on platform: l2 + 50 mm.

- VDI no. 4.34.1: with XL or XL (ERE) battery compartment: working aisle width (Ast) + 118 mm; with extended stand-on platform: working aisle width (Ast) + 50 mm; diagonal as per VDI: working aisle width (Ast) + 94 mm.

- VDI no. 4.35: with XL or XL (ERE) battery compartment: Wa + 118 mm; with extended stand-on platform: Wa + 50 mm; with lowered load section: Wa + 82 mm.

- VDI no. 6.2: with S3 10%.

- VDI no. 6.4: with XL battery compartment: 24 V / 620 Ah.

- VDI no. 6.5: with XL battery compartment: 460 kg.

- VDI no. 6.6.1 for ECE 225 and ECE 225 HP: 0.45 kWh/h.

The German production facilities in
Norderstedt, Moosburg and Landsberg
are certified.

ISO 9001
ISO 14001

Jungheinrich fork lift trucks meet
European safety requirements.



 **JUNGHEINRICH**