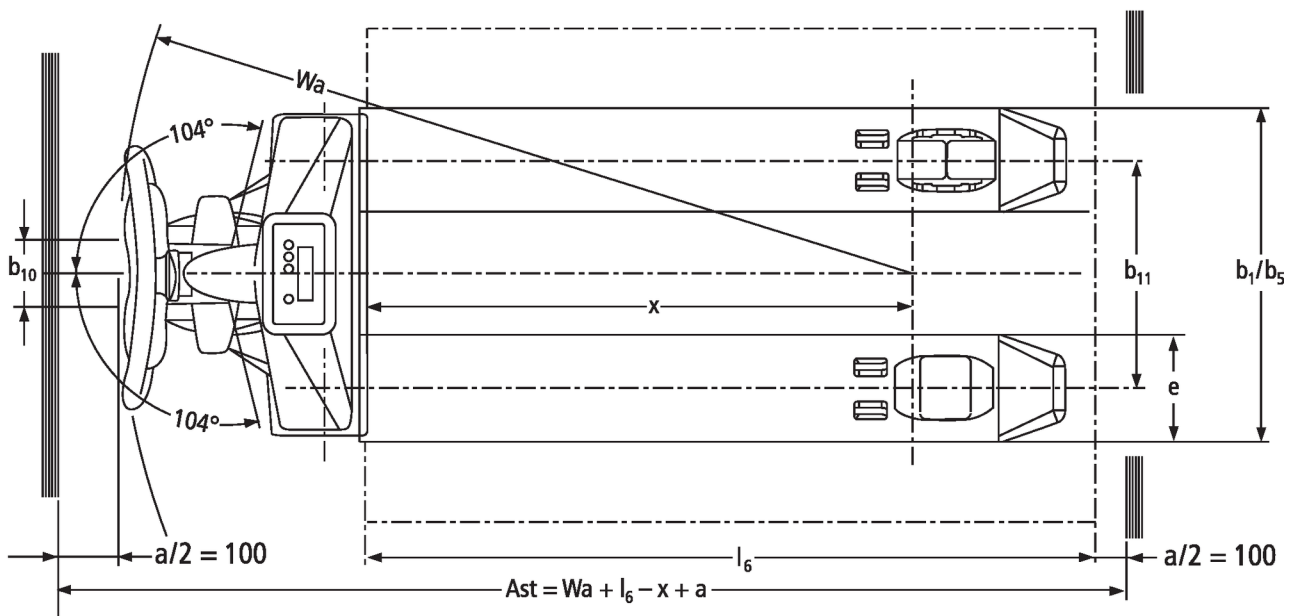
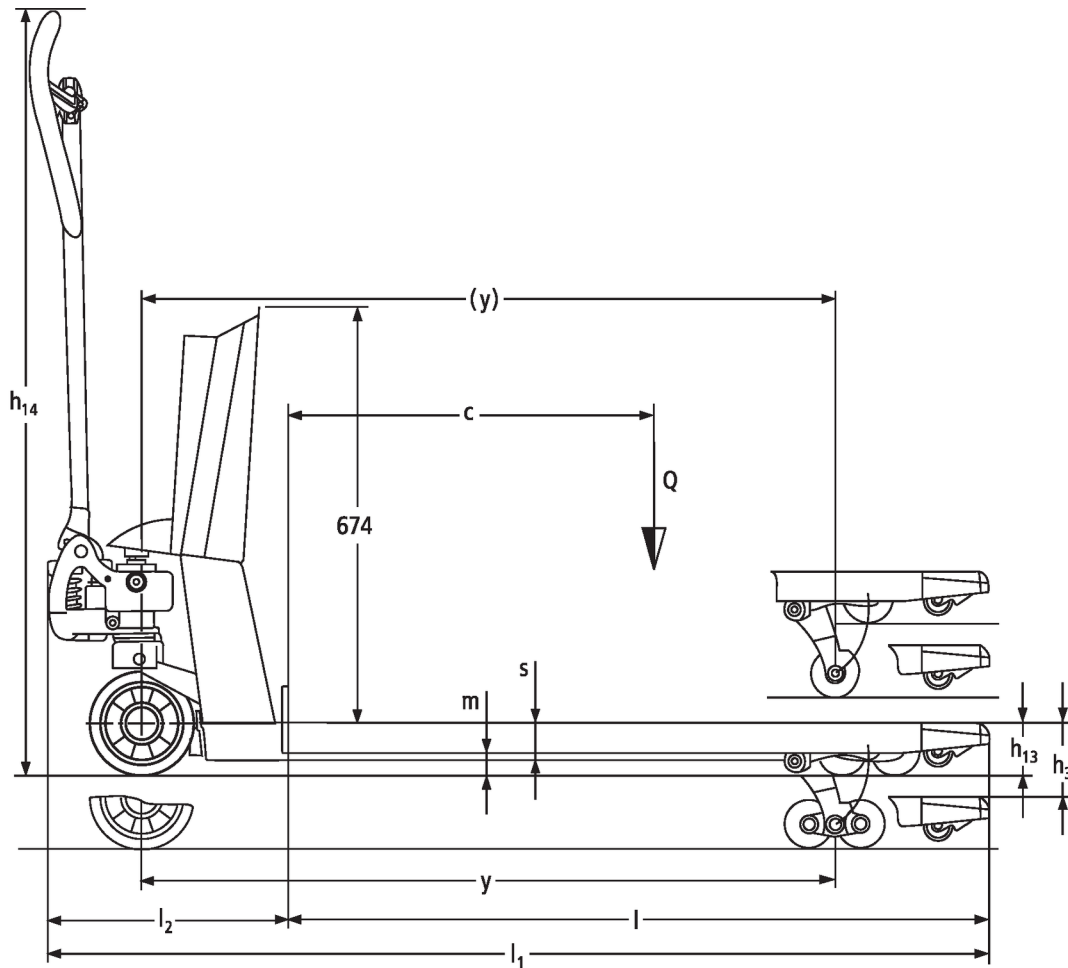




## **Hand pallet truck with scales** **AMW 22 / 22p**

**Lift height: 122 mm / Load capacity: 2200 kg**

# AMW 22 / 22p



# VDI table

Stand-on: 08/2021

				Jungheinrich							
Characteristic	1.1	Manufacturer (abbreviated description)									
	1.2	Manufacturer's type designation		AMW 22				AMW 22p			
	1.3	Drive		Manual							
	1.4	Operation		Manual							
	1.5	Load capacity/load	Q kg	2200							
	1.6	Load centre distance	c mm	600							
	1.9	Wheelbase	y mm	1110							
Weights	2.1	Service weight	kg	99				102			
	2.2	Axle load laden front/rear	kg	578 / 1721							
	2.3	Axle load unladen front/rear	kg	61 / 38							
Wheels/suspension system	3.1	Tyres		C-BV	V-GV	C-GV	V-BV	C-GV	C-BV	V-GV	V-BV
	3.2	Tyre size, front		∅ 170x50	∅ 170 x 50	∅ 170x50	∅ 170x50	∅ 170 x 50	∅ 170x50	∅ 170 x 50	∅ 170x50
	3.3	Tyre size, rear		∅ 82x96	∅ 82 x 96	∅ 82x96	∅ 82 x 96	∅ 82 x 96	∅ 82x96	∅ 82 x 96	∅ 82x96
	3.5	Wheels, number front/back (x=driven)		2/2							
	3.6	Tread width, front	b <sub>10</sub> mm	109							
	3.7	Tread width, rear	b <sub>11</sub> mm	370							
	Basic dimensions	4.4	Lift (h <sub>3</sub> )	h <sub>3</sub> mm	122						
4.15		Height, lowered	h <sub>15</sub> mm	86							
4.19		Overall length	l <sub>1</sub> mm	1546							
4.20		Length including fork shank	l <sub>2</sub> mm	396							
4.21.1		Overall width	b <sub>1</sub> mm	540							
4.22		Fork dimensions	s/ e/l mm	62 x 170 x 1150							
4.25		Width across forks	b <sub>5</sub> mm	540							
4.32		Ground clearance centre of wheelbase	m <sub>2</sub> mm	24							
4.34		Aisle width (pallet 1000x1200 sideways)	Ast mm	1763							
4.34.1		Aisle width (pallet 800x1200 length)	Ast mm	1813							
4.35		Turning radius	W <sub>a</sub> mm	1303							
Performance data	5.3	Lowering speed laden/unladen	m/s	0.09 / 0.02							
E-motor/ Electronics	6.4	Battery voltage/nominal capacity	V / Ah	-	12 / 1.2	-	12 / 1.2				

- This data sheet according to VDI guideline 2198 only states the technical values of the standard truck. Different tyres, other masts, additional equipment etc. may result in different values.

The German production facilities in  
Norderstedt, Moosburg and Landsberg  
are certified.

ISO 9001  
ISO 14001

Jungheinrich fork lift trucks meet  
European safety requirements.



 **JUNGHEINRICH**