



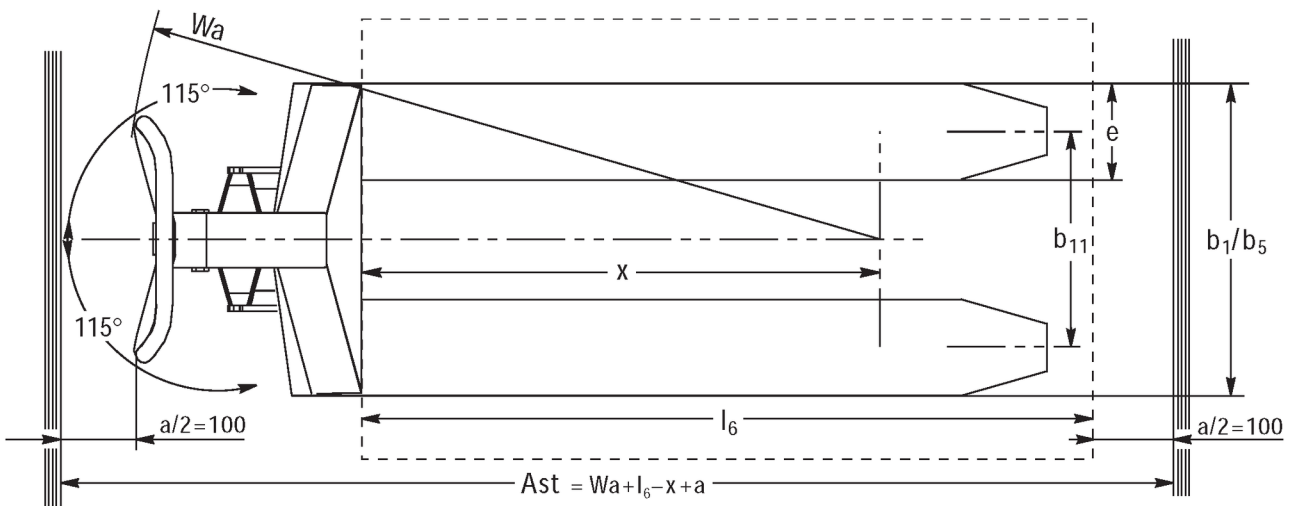
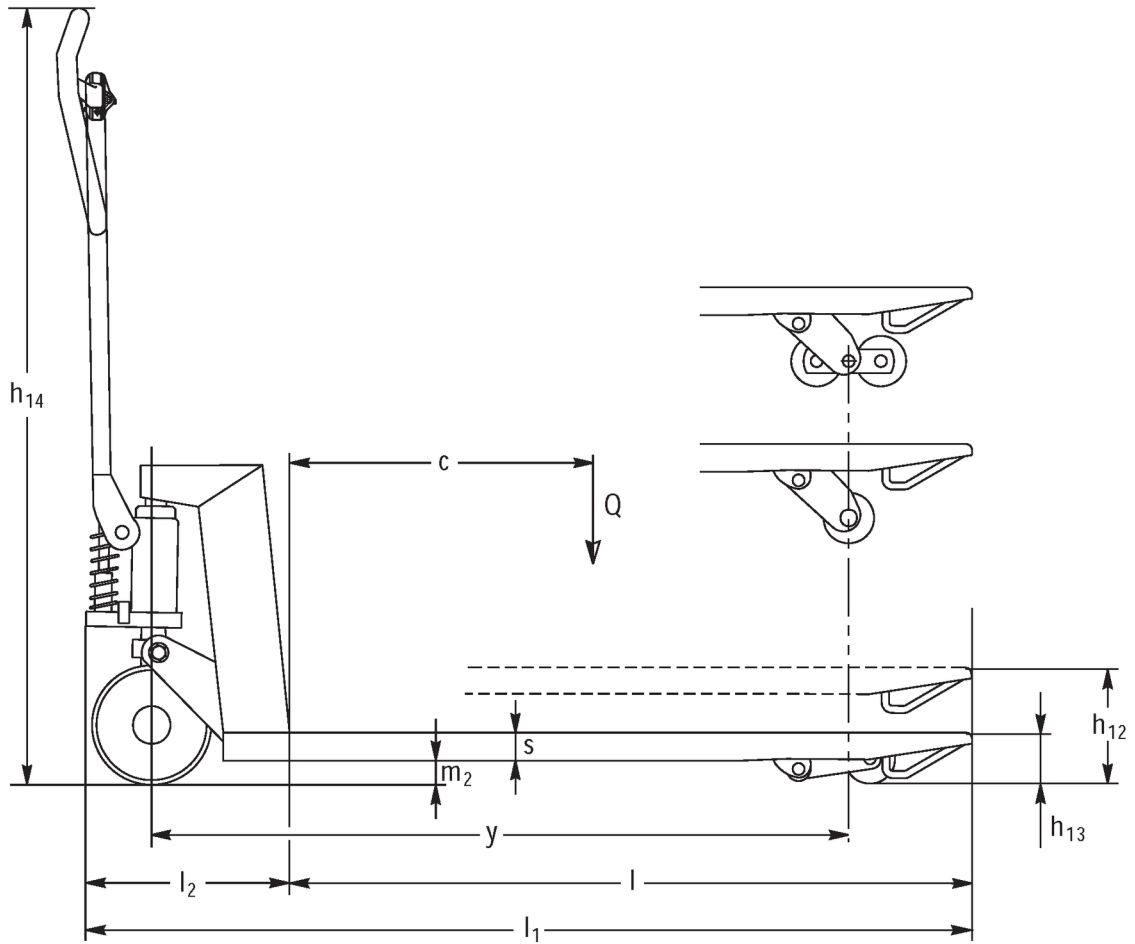
## **Hand pallet truck**

### **AM 120 / 120p**

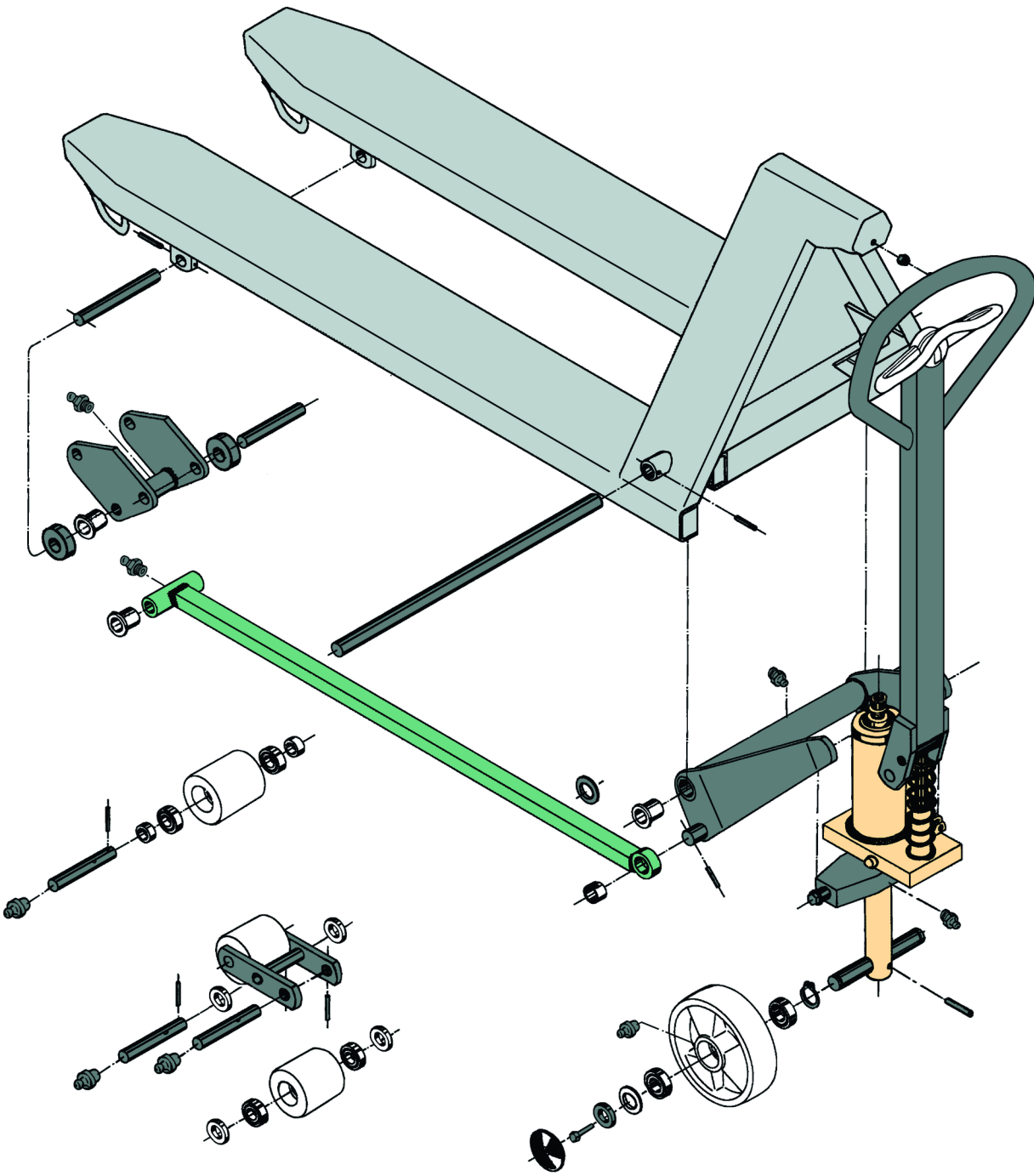
**Lift height: 120 mm / Load capacity: 2000 kg**

**JUNGHEINRICH**

# AM l20 / l20p

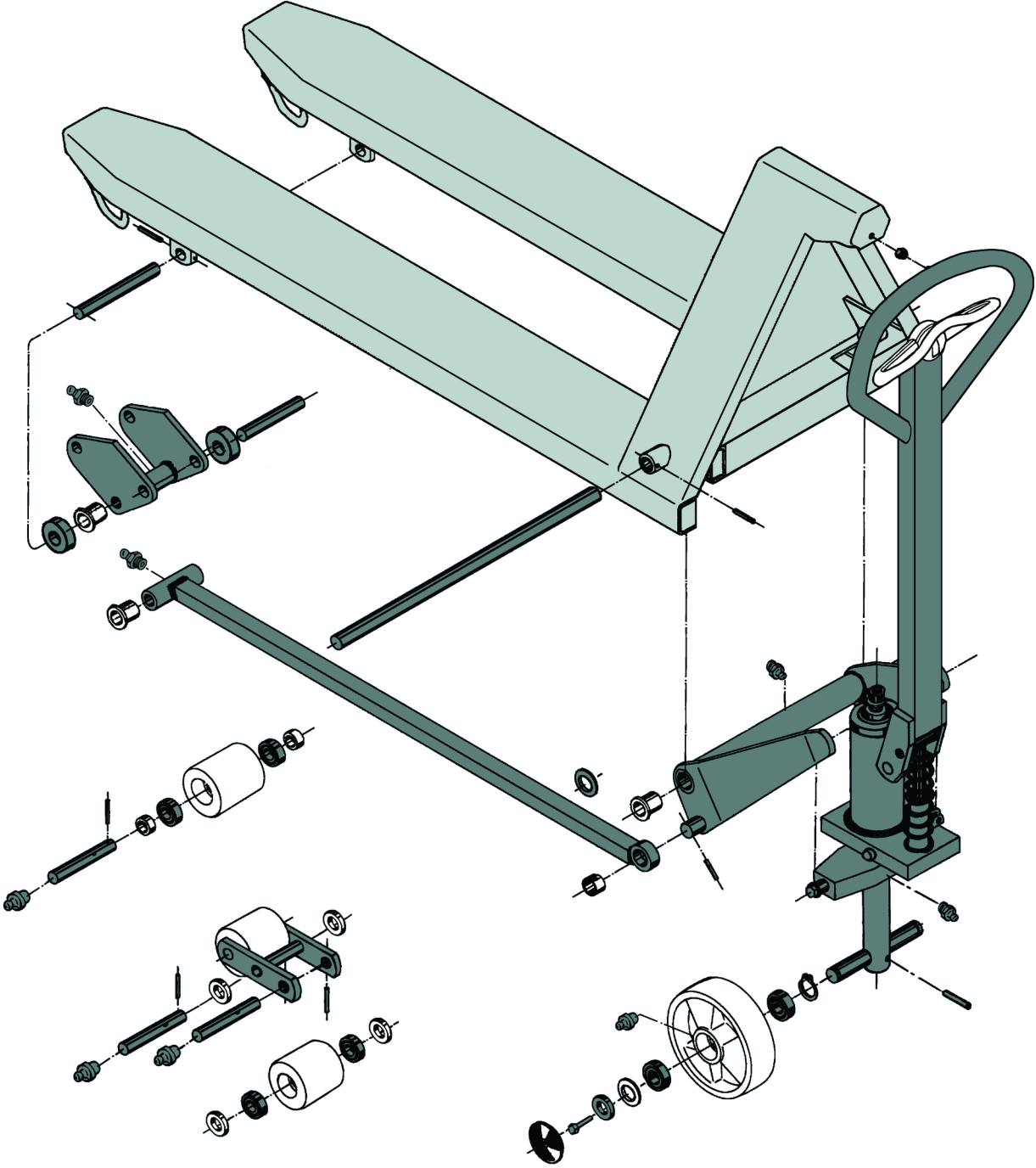


# AM 120 / 120p



AM 120

# AM 120 / 120p



AM 120p

# VDI table

Stand-on: 08/2021

Characteristic		AM I20p																						
Characteristic	1.1	Manufacturer (abbreviated description)																						
	1.2	Manufacturer's type designation																						
	1.3	Drive																						
	1.4	Operation																						
	1.5	Load capacity/load	Q	kg																				
	1.6	Load centre distance	c	610			570			485			405			610								
	1.9	Wheelbase	y	1245			1165			995			835			1245								
Weights	2.1	Service weight	kg		81		78		75		72		69		65		75							
	2.1.1	Service weight (incl. battery)	kg		81		78		-		72		69		66		-		75					
	2.2	Axle load laden front/rear	kg		-																			
	2.3	Axle load unladen front/rear	kg		-																			
Wheels/suspension system	3.1	Tyres	V-BV	N-BN	V-GV	N-GN	V-BV	N-BN	C-GV	N-GN	V-BV	N-BN	V-GV	N-GN	V-BV	N-BN	V-GV	N-GN	V-BV	N-BN	V-GV	N-GN		
	3.2	Tyre size, front																						
	3.3	Tyre size, rear	∅ 80x70	∅ 80x65	∅ 80x90	∅ 80x70	∅ 80x65	∅ 80x90	∅ 80x70	∅ 80x65	∅ 80x90	∅ 80x70	∅ 80x65	∅ 80x90	∅ 80x70	∅ 80x65	∅ 80x90	∅ 80x70	∅ 80x65	∅ 80x90	∅ 80x70	∅ 80x65		
	3.5	Wheels, number front/back (x=driven)																						
	3.6	Tread width, front	b <sub>10</sub>	mm																				
	3.7	Tread width, rear	b <sub>11</sub>	mm																	520			
	Basic dimensions	4.4	Lift (h <sub>3</sub> )	h <sub>3</sub>		mm																		
4.9		Height of tiller handle in drive position min./max.	mm		-																			
4.14		Stand height, elevated	h <sub>12</sub>		mm															205				
4.15		Height, lowered	h <sub>13</sub>		mm																			
4.19		Overall length	l <sub>1</sub>		mm			1555			1475			1305			1145			1555				
4.20		Length including fork shank	l <sub>2</sub>		mm																			
4.21.1		Overall width	b <sub>1</sub>		mm																	680		
4.22		Fork dimensions	s/e/l		mm			51 x 160 x 1220			51 x 160 x 1140			51 x 160 x 970			51 x 160 x 810			51 x 160 x 1220				
4.25		Width across forks	b <sub>5</sub>		mm																	680		
4.32		Ground clearance centre of wheelbase	m <sub>2</sub>		mm																	34		
4.34		Aisle width (pallet 1000x1200 sideways)	A <sub>st</sub>		mm																			
4.34.1		Aisle width (pallet)	A <sub>st</sub>		mm			1830			1810			1810			1830							

		800x1200 (length)						
	4.35	Turning radius	$W_0$ mm	1410	1330	1160	1000	1410
Performance data	5.3	Lowering speed laden/ unladen	m/s					

- This data sheet according to VDI guideline 2198 only states the technical values of the standard truck. Different tyres, other masts, additional equipment etc. may result in different values.

The German production facilities in  
Norderstedt, Moosburg and Landsberg  
are certified.

ISO 9001  
ISO 14001

Jungheinrich fork lift trucks meet  
European safety requirements.



 **JUNGHEINRICH**