



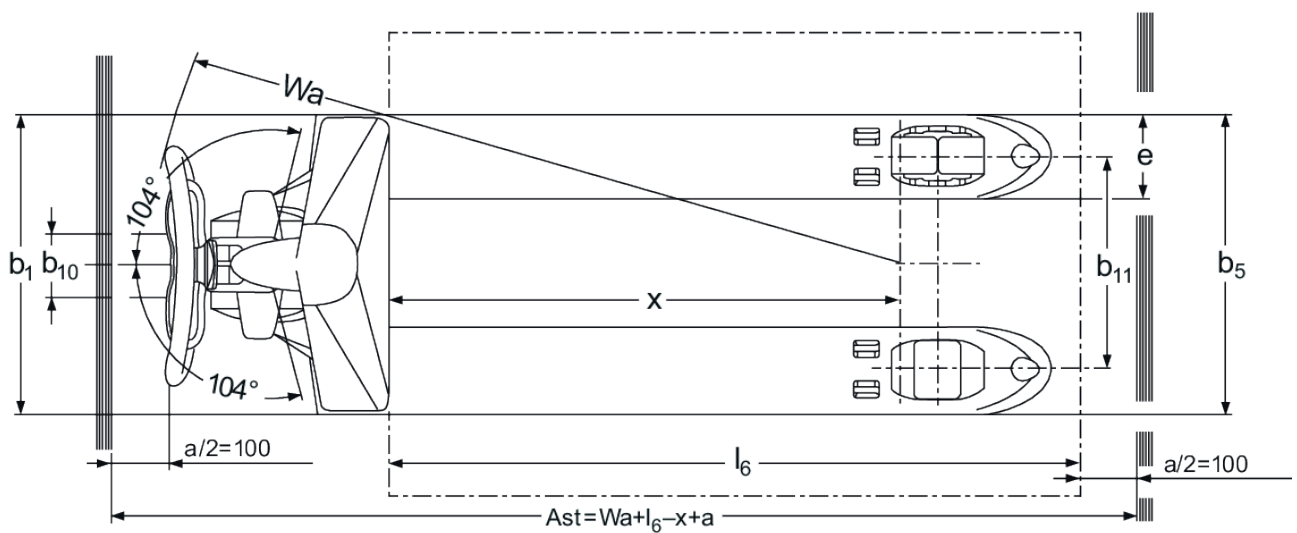
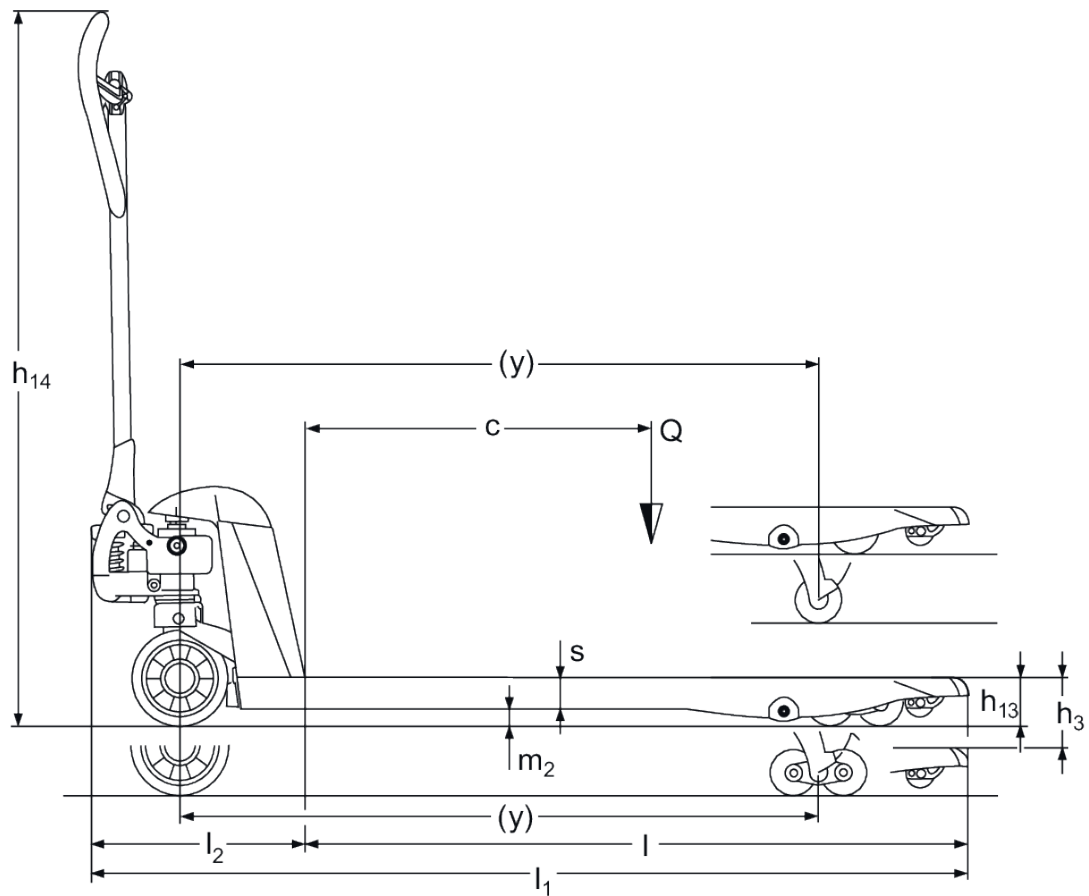
# Hand pallet truck galvanised

## AM G20

Lift height: 122 mm / Load capacity: 2000 kg

**JUNGHEINRICH**

# AM G20



# VDI table

Stand-on: 08/2021

Characteristic	1.1	Manufacturer (abbreviated description)	Jungheinrich																		
	1.2	Manufacturer's type designation	AM G20																		
	1.3	Drive	Manual																		
	1.4	Operation	Manual																		
	1.5	Load capacity/load	Q	kg																	
	1.6	Load centre distance	c	600		500	600	400		500	400	500	600								
	1.9	Wheelbase	y	1110	-	1110	910	-	755	-											
Weights	2.1	Service weight	kg	61	-	60	54	63	51	52	56	57	59	63							
	2.3	Axle load unladen front/rear	kg	38 / 20	-	38 / 20	-														
Wheels/suspension system	3.1	Tyres		N-GN	N-BN	V-BV	N-GN		N-BN	V-BV	N-BN	V-BV	N-GN	N-BN	V-BV	N-GN	N-BN	V-BV	N-GN	N-BN	V-BV
	3.2	Tyre size, front		∅ 170x50	-	∅ 170 x 50	∅ 170x50	-	∅ 170x50	-											
	3.3	Tyre size, rear		∅ 82x96	-	∅ 82 x 62	∅ 82x96	-	∅ 82x96	-											
	3.5	Wheels, number front/back (x=driven)		2/2	-	2/2	-	2/2	-												
	3.6	Tread width, front	b <sub>10</sub>	mm	109	-	109	-	109	-											
	3.7	Tread width, rear	b <sub>11</sub>	mm	370	-	370	-	370	-											
	Basic dimensions	4.4	Lift (h <sub>3</sub> )	h <sub>3</sub>	mm																
4.14		Stand height, elevated	h <sub>12</sub>	mm																	
4.15		Height, lowered	h <sub>13</sub>	mm																	
4.19		Overall length	l <sub>1</sub>	1520	-	1523	1320	-	1165	-											
4.20		Length including fork shank	l <sub>2</sub>	373	-	373	-	373	-												
4.21.1		Overall width	b <sub>1</sub>	520	-	520	-	520	-	520	-										
4.22		Fork dimensions	s/ e/l	mm	53 x 150 x 1150	-	53 x 150 x 1150	53 x 150 x 950	-	53 x 150 x 795	-										
4.25		Width across forks	b <sub>5</sub>	520			680	520			680										
4.32		Ground clearance centre of wheelbase	m <sub>2</sub>	30	-	30	-	30	-												
4.34		Aisle width (pallet 1000x1200 sideways)	Ast	1734	-	1734	1584	-	1584	-											
4.34.1		Aisle width (pallet 800x1200 length)	Ast	1784	-	1784	-	1784	-												
4.35		Turning radius	W <sub>a</sub>	1274	-	1274	1074	-	919	-											

Performance data	5.3	Lowering speed laden/unladen	m/s	0.09 / 0.02	-	0.09 / 0.02	-	0.09 / 0.02	-

- This data sheet according to VDI guideline 2198 only states the technical values of the standard truck. Different tyres, other masts, additional equipment etc. may result in different values.

The German production facilities in  
Norderstedt, Moosburg and Landsberg  
are certified.

ISO 9001  
ISO 14001

Jungheinrich fork lift trucks meet  
European safety requirements.



 **JUNGHEINRICH**

The Jungheinrich logo, featuring a red upward-pointing arrow above the word 'JUNGHEINRICH' in a bold, black, sans-serif font.