



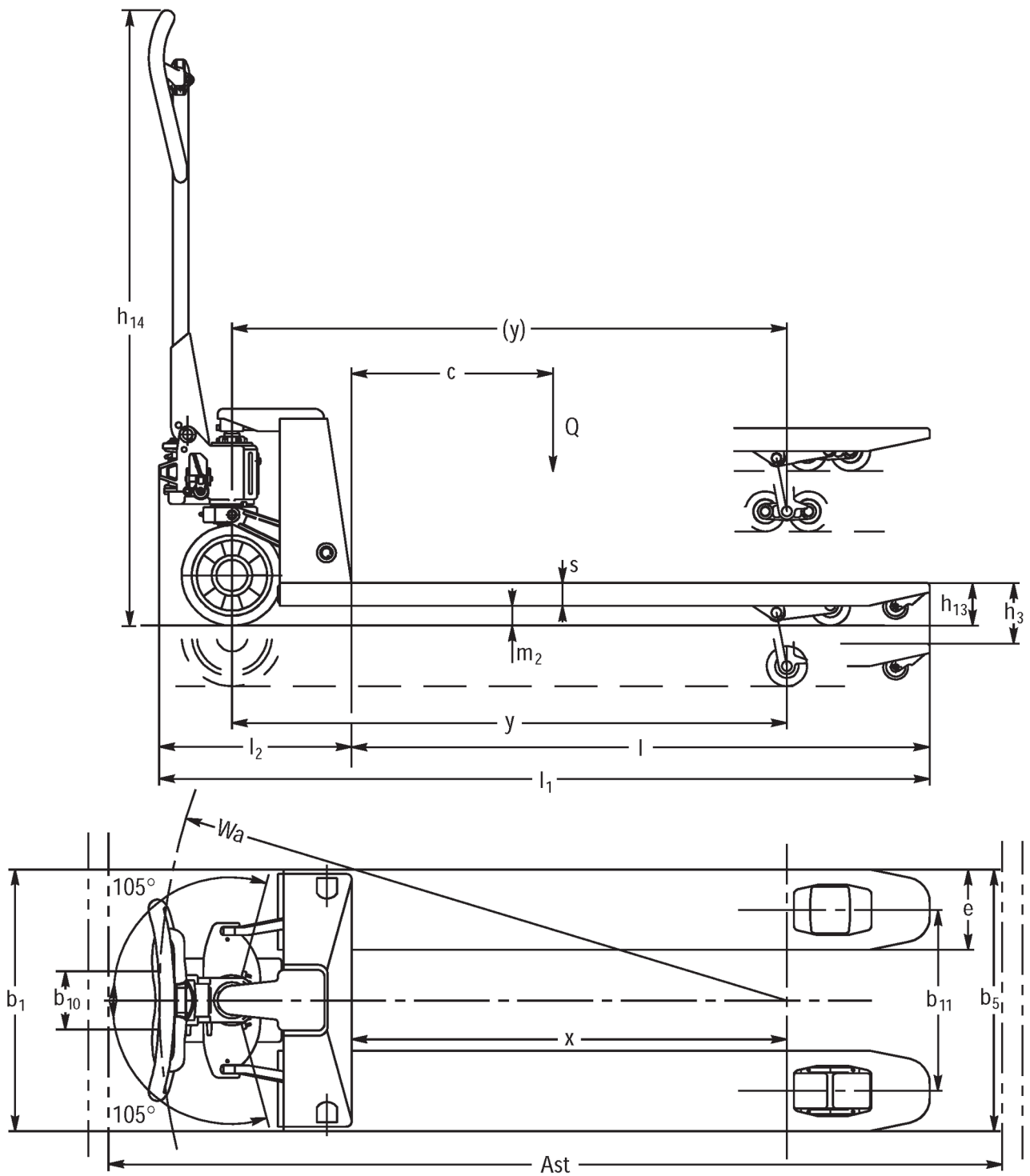
# Hand pallet truck

## AM 30

Lift height: 120 mm / Load capacity: 3000 kg

**JUNGHENRICH**

# AM 30



# VDI table

Stand-on: 08/2021

Characteristic	1.1	Manufacturer (abbreviated description)		Jungheinrich			
	1.2	Manufacturer's type designation		<b>AM 30</b>			
	1.3	Drive		Manual			
	1.4	Operation		Manual			
	1.5	Load capacity/load	Q kg	3000			
	1.6	Load centre distance	c mm	600	1050	900	800
	1.9	Wheelbase	y mm	1174	2054	-	
Weights	2.1	Service weight	kg	86	142	126	124
	2.2	Axle load laden front/rear	kg	815 / 2270	1135 / 2007	-	
	2.3	Axle load unladen front/rear	kg	28 / 58	57 / 85	-	
Wheels/suspension system	3.1	Tyres		V-BV			
	3.2	Tyre size, front		Ø 200 x 50		200	
	3.3	Tyre size, rear		Ø 80 x 70		80 x 70	
	3.5	Wheels, number front/back (x=driven)		2/4		2 / 4	
	3.6	Tread width, front	b <sub>10</sub> mm	116			
	3.7	Tread width, rear	b <sub>11</sub> mm	390			
	Basic dimensions	4.4	Lift (h <sub>3</sub> )	h <sub>3</sub> mm	120		
4.14		Stand height, elevated	h <sub>12</sub> mm	205			
4.15		Height, lowered	h <sub>13</sub> mm	85			
4.19		Overall length	l <sub>1</sub> mm	1603	2483	-	
4.20		Length including fork shank	l <sub>2</sub> mm	383			
4.21.1		Overall width	b <sub>1</sub> mm	550			
4.22		Fork dimensions	s/ e/l mm	45 x 160 x 1220	63 x 160 x 2100	63 x 160 x 1800	63 x 160 x 1600
4.25		Width across forks	b <sub>5</sub> mm	550			
4.32		Ground clearance centre of wheelbase	m <sub>2</sub> mm	36		-	
4.34		Aisle width (pallet 1000x1200 sideways)	Ast mm	1803	2683	-	
4.34.1		Aisle width (pallet 800x1200 length)	Ast mm	1803	2683	-	
4.35		Turning radius	W <sub>a</sub> mm	1319	2184	-	
Performance data	5.3	Lowering speed laden/unladen	m/s	0.09 / 0.05			
<p>- This data sheet according to VDI guideline 2198 only states the technical values of the standard truck. Different tyres, other masts, additional equipment etc. may result in different values.</p>							

The German production facilities in  
Norderstedt, Moosburg and Landsberg  
are certified.

ISO 9001  
ISO 14001

Jungheinrich fork lift trucks meet  
European safety requirements.



 **JUNGHEINRICH**