

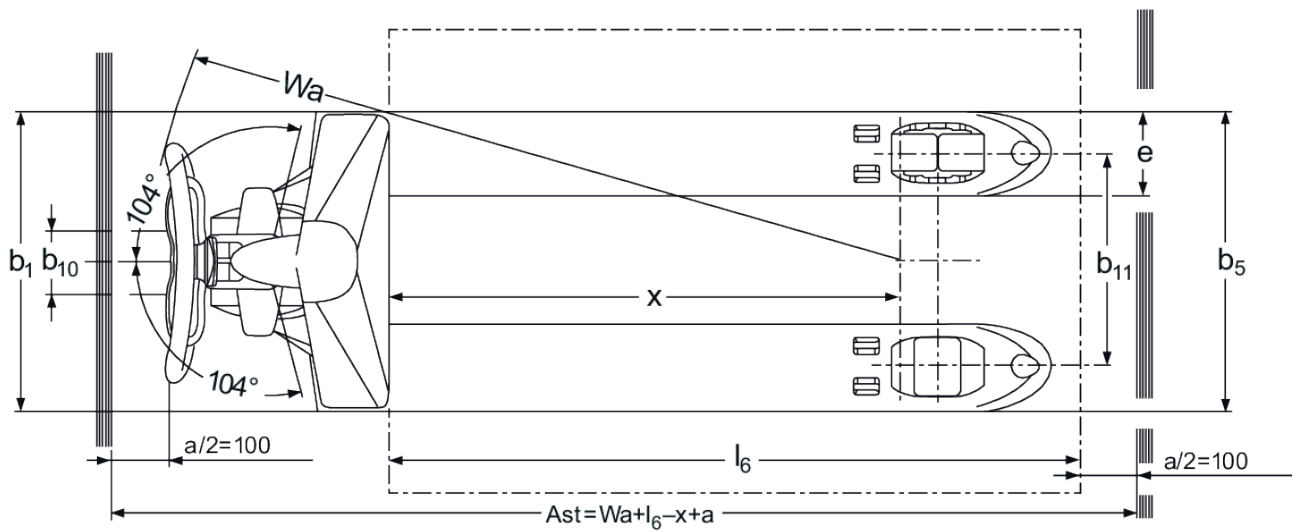
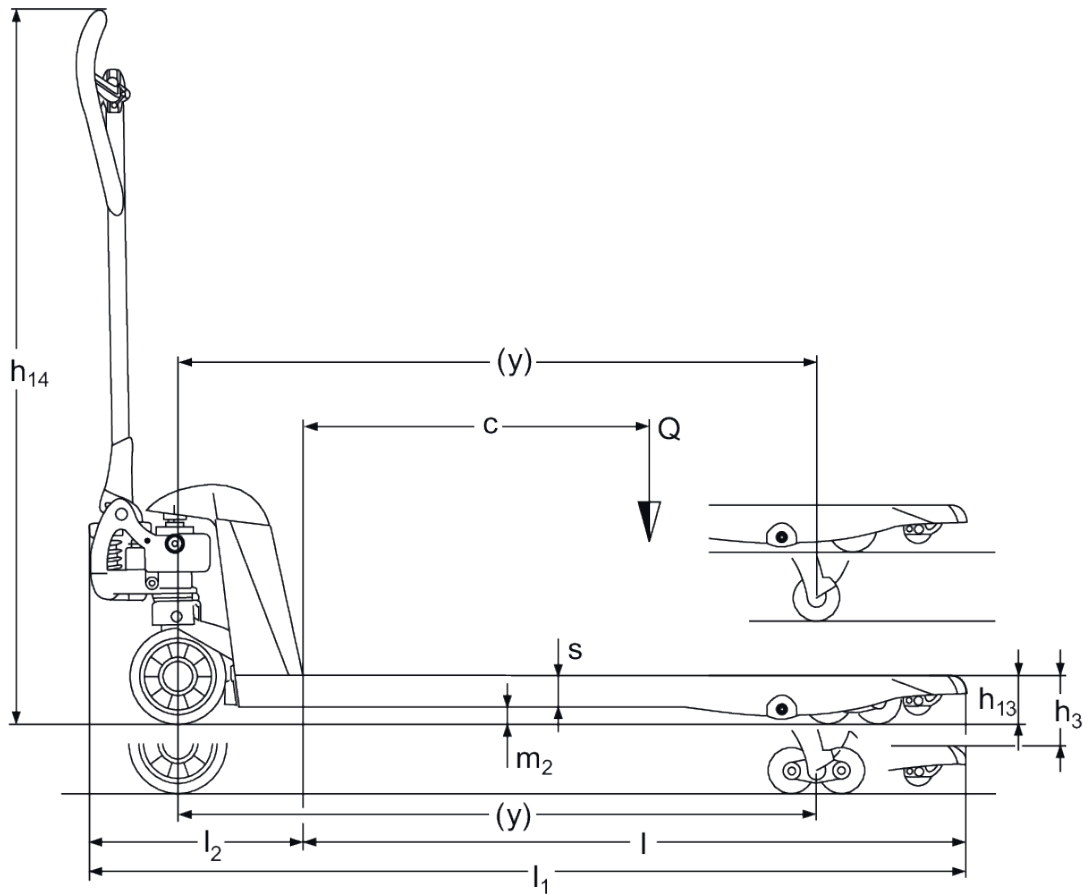


Hand pallet truck **AM 22 SH / 22 NH**

Lift height: 122 mm / Load capacity: 2200 kg

JUNGHEINRICH

AM 22 SH / 22 NH



VDI table

Stand-on: 08/2021

Characteristic		AM 22 NH																			
1.1	Manufacturer (abbreviated description)																				
1.2	Manufacturer's type designation																				
1.3	Drive																				
1.4	Operation																				
1.5	Load capacity/load	Q	2200							1700	1200	500	2200								
1.6	Load centre distance	c	300	400	450	500	550	600	700	800	900	1200	300	400	450	500	550	600	700		
1.9	Wheelbase	y	560	755	862	910	1014	1110	1320	1560	1860	2360	560	755	862	910	1014	1110	1320		
Weights																					
2.1	Service weight	kg	50	52	53	56	60	61	70	82	90	55	57	58	59	62	63	64	73		
Wheels/suspension system																					
3.1	Tyres																				
3.2	Tyre size, front																				
3.3	Tyre size, rear																				
3.5	Wheels, number front/back (x=driven)																				
3.6	Tread width, front	b ₁₀																			
3.7	Tread width, rear	b ₁₁																			
Basic dimensions																					
4.4	Lift (h ₃)	h ₃																			
4.14	Stand height, elevated	h ₁₂																			
4.15	Height, lowered	h ₁₃																			
4.19	Overall length	l ₁	973	1168	1275	1323	1427	1523	1733	1973	2273	2773	973	1323	1275	1323	1275	1523	1733		
4.20	Length including fork shank	l ₂																			
4.21.1	Overall width	b ₁	520										680								
4.22	Fork dimensions	s/ e/l	53 x 150 x 600	53 x 150 x 795	53 x 150 x 902	53 x 150 x 950	53 x 150 x 1054	53 x 150 x 1150	53 x 150 x 1207	53 x 150 x 1360	53 x 150 x 1600	53 x 150 x 1900	53 x 150 x 2400	53 x 150 x 600	53 x 150 x 795	53 x 150 x 902	53 x 150 x 950	53 x 150 x 1054	53 x 150 x 1150	53 x 150 x 1207	53 x 150 x 1360
4.25	Width across forks	b ₅	520										680								
4.32	Ground clearance centre of wheelbase	m ₂																			
4.34	Aisle width (pallet 1000x1200 sideways)	Ast	1584				1627	1734	1933	2173	2473	2973	1584				1627	1734	1933		
4.34.1	Aisle width (pallet 800x1200 length)	Ast	1784						1933	2173	2473	2973	1784						1933		
4.35	Turning radius	W _a	724	919	1026	1074	1178	1274	1484	1724	2024	2524	724	919	1026	1074	1178	1274	1484		

Performance data	5.3	Lowering speed laden/ unladen	m/s	
------------------	-----	----------------------------------	-----	--

- This data sheet according to VDI guideline 2198 only states the technical values of the standard truck. Different tyres, other masts, additional equipment etc. may result in different values.

The German production facilities in
Norderstedt, Moosburg and Landsberg
are certified.

ISO 9001
ISO 14001

Jungheinrich fork lift trucks meet
European safety requirements.



 **JUNGHEINRICH**