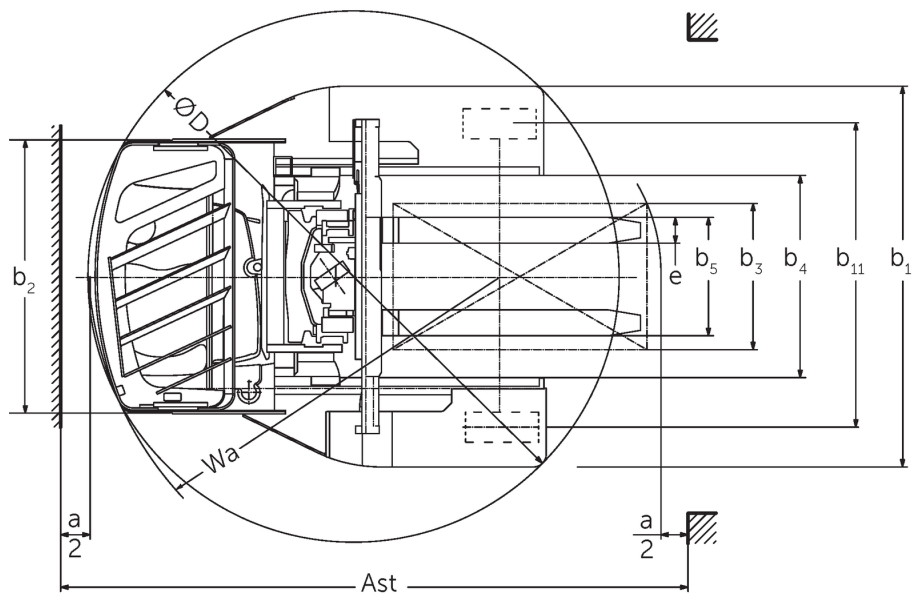
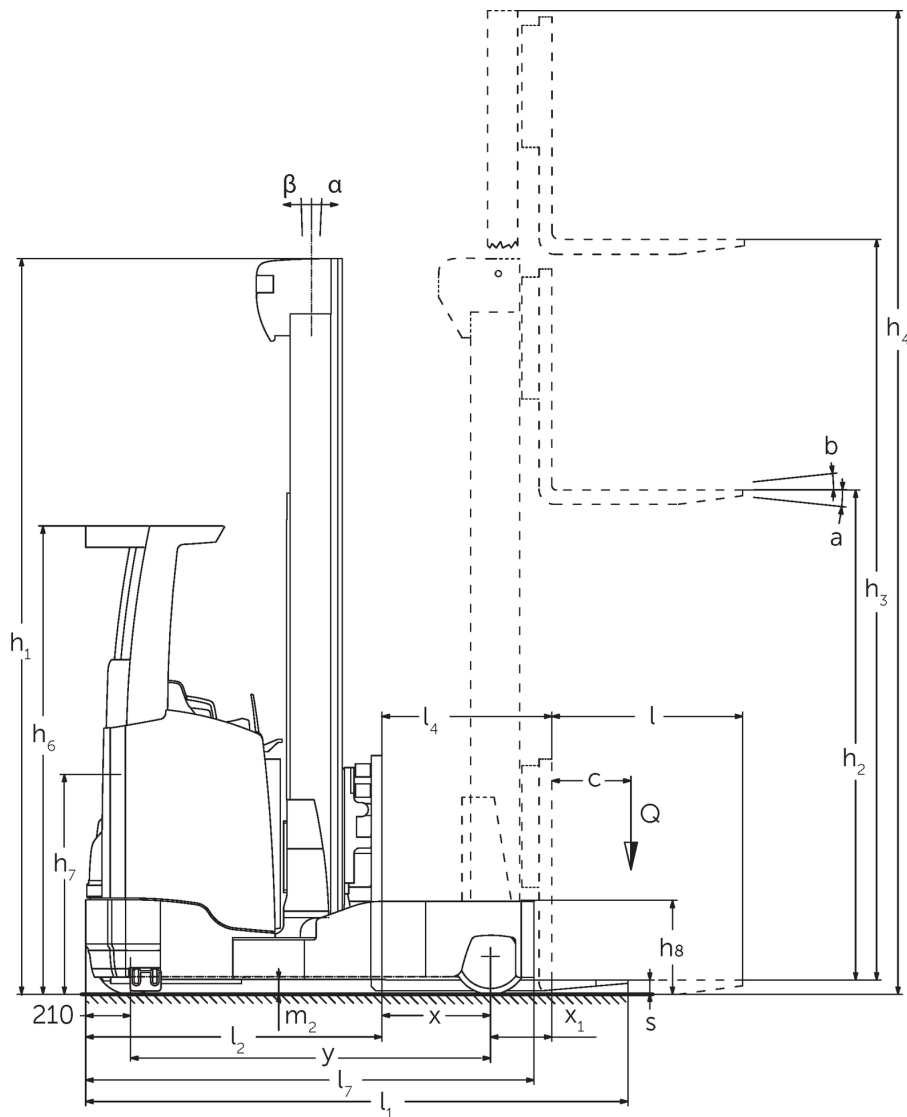




Electric reach truck **ETV Q20 / Q25**

Lift height: 4250-10700 mm / Load capacity: 2000-2500 kg

ETV Q20 / Q25



ETV Q20 / Q25

ETV Q20, ETV Q25	Lift (h3)	Retracted mast height (h1)	Free lift (h2)	Extended mast height (h4)	Forward/backward tilt of mast	Forward/backward tilt of fork carriage
Fork tilt / Triplex mast DZ / cold-formed	6200 mm	2700 mm	1970 mm	6946 mm		2 / 5 °
	6500 mm	2800 mm	2070 mm	7246 mm		2 / 5 °
	6800 mm	2900 mm	2170 mm	7546 mm		2 / 5 °
	6950 mm	2950 mm	2220 mm	7696 mm		2 / 5 °
	7400 mm	3100 mm	2370 mm	8146 mm		2 / 5 °
	7700 mm	3200 mm	2470 mm	8446 mm		2 / 5 °
	8000 mm	3300 mm	2570 mm	8746 mm		2 / 5 °
	8420 mm	3440 mm	2710 mm	9166 mm		2 / 5 °
	8720 mm	3540 mm	2810 mm	9466 mm		2 / 5 °
	9110 mm	3670 mm	2940 mm	9856 mm		2 / 5 °
	9620 mm	3840 mm	3110 mm	10366 mm		2 / 5 °
	9950 mm	3950 mm	3220 mm	10696 mm		2 / 5 °
	10220 mm	4100 mm	3370 mm	10966 mm		2 / 5 °
	10520 mm	4200 mm	3470 mm	11266 mm		2 / 5 °
10700 mm	4260 mm	3530 mm	11446 mm		2 / 5 °	
Mast tilt without side shift / Triplex mast DZ / cold-formed	4250 mm	2050 mm	1320 mm	4996 mm		1 / 5 °
	4700 mm	2200 mm	1470 mm	5446 mm		1 / 5 °
	5000 mm	2300 mm	1570 mm	5746 mm		1 / 5 °
	5300 mm	2400 mm	1670 mm	6046 mm		1 / 5 °
	5420 mm	2440 mm	1710 mm	6166 mm		1 / 3 °
	5600 mm	2500 mm	1770 mm	6346 mm		1 / 3 °
	5900 mm	2600 mm	1870 mm	6646 mm		1 / 3 °
	6050 mm	2650 mm	1920 mm	6796 mm		1 / 3 °
	6200 mm	2700 mm	1970 mm	6946 mm		1 / 3 °
	6500 mm	2800 mm	2070 mm	7246 mm		1 / 3 °
	6800 mm	2900 mm	2170 mm	7546 mm		1 / 3 °
	6950 mm	2950 mm	2220 mm	7696 mm		1 / 3 °
	7400 mm	3100 mm	2370 mm	8146 mm		1 / 3 °
	8000 mm	3300 mm	2570 mm	8746 mm		1 / 3 °
	8420 mm	3440 mm	2710 mm	9166 mm		1 / 3 °
	8720 mm	3540 mm	2810 mm	9466 mm		1 / 3 °
9110 mm	3670 mm	2940 mm	9856 mm		1 / 3 °	

VDI table

Stand-on: 08/2021

				Jungheinrich		
Characteristic	1.1	Manufacturer (abbreviated description)				
	1.2	Manufacturer's type designation		ETV Q20	ETV Q25	
	1.3	Drive		Electric		
	1.4	Operation		Sideways-seated		
	1.5	Load capacity/load	Q	kg	2000	2500
	1.6	Load centre distance	c	mm	600	
	1.8	Load distance, centre of drive axle to fork	x	mm	449	
	1.8.1	Load distance, centre of drive axle to fork, mast extended		mm	230	
	1.9	Wheelbase	y	mm	1528	1638
Weights	2.1.1	Service weight (incl. battery)		kg	3700	
	2.3	Axle load unladen front/rear		kg	2264 / 1436	
	2.4	Axle load fork forward laden front/rear		kg	602 / 5598	
	2.5	Axle load fork back laden front/rear		kg	2032 / 4168	
Wheels/suspension system	3.1	Tyres			PU	
	3.2	Tyre size, front			Ø 343 x 140	
	3.3	Tyre size, rear			Ø 355 x 135	
	3.5	Wheels, number front/back (x=driven)			1x / 2	
	3.7	Tread width, rear	b ₁₁	mm	1420	
Basic dimensions	4.2	Retracted mast height (h1)	h ₁	mm	2400	
	4.3	Free lift (h2)	h ₂	mm	1670	
	4.4	Lift (h3)	h ₃	mm	5300	
	4.5	Extended mast height (h4)	h ₄	mm	6046	
	4.7	Height of overhead guard (cab)	h ₆	mm	2190	
	4.8	Seat height/stand height	h ₇	mm	1057	
	4.10	Height of support arms	h ₈	mm	440	
	4.19	Overall length	l ₁	mm	2439	2511
	4.19.4	Length including fork length	l ₁	mm	2439	2511
	4.20	Length including fork shank	l ₂	mm	1289	1361
	4.21.1	Overall width	b ₁	mm	1770	
	4.21.2	Overall width	b ₂	mm	1270	
	4.22	Fork dimensions	s/e/l	mm	50 x 140 x 1150	
	4.23	Fork carriage connection class			2B	
	4.24	Fork carriage width	b ₃	mm	830	
	4.25	Width across forks	b ₅	mm	356	
	4.25.1	Width across forks (min./max.)	b ₅	mm	356 / 750	
	4.26	Width between support arms/loading areas	b ₄	mm	940	
	4.28	Reach distance		mm	679	762
	4.32	Ground clearance centre of wheelbase	m ₂	mm	95	
	4.34	Aisle width (pallet 1000x1200 sideways)	Ast	mm	2756	2854
	4.34.1	Aisle width (pallet 800x1200 length)	Ast	mm	2792	2872
	4.35	Turning radius	W _a	mm	1741	1893
4.37	Length over the support arms	L ₇	mm	1957	2112	
Performance data	5.1	Travel speed laden/unladen		km/h	14 / 14	
	5.2	Lift speed laden/unladen		m/s	0.38 / 0.64	0.35 / 0.64
	5.3	Lowering speed laden/unladen		m/s	0.55 / 0.55	
	5.4	Reach speed laden/unladen		m/s	0.2 / 0.2	
	5.7	Gradeability laden/unladen		%	7 / 11	
	5.8	Max. gradeability laden/unladen		%	10 / 15	

	5.9	Acceleration time laden/unladen	s	5.3 / 4.8	5.6 / 4.9
	5.10	Service brake		electric	
E-motor/Electronics	6.1	Drive motor, performance S2 60 min	kW	8.5	
	6.2	Lift motor, performance with S3	kW	15.5	
	6.3	Battery according to DIN 43531/35/36		DIN 43531 C	
	6.4	Battery voltage/nominal capacity	V / Ah	48 / 620	
	6.5	Battery weight	kg	1005	
	6.6.1	Energy consumption according to EN cycle	kWh/h	4.31	5
	6.6.2	CO2 equivalent as per EN 16796	kg/h	2.3	2.7
	6.7	Throughput	t/h	79.73	97.61
	6.8.1	Energy consumption with max. throughput	kWh/h	4.71	4.98
Other	8.1	Type of drive control		Mosfet/AC	
	10.1	Operating pressure for attachment	bar	150	
	10.2	Oil flow for attachments	l/min	20	
	10.7	Sound level as per EN12053, operator's ear	dB (A)	70	

- This data sheet according to VDI guideline 2198 only states the technical values of the standard truck. Different tyres, other masts, additional equipment etc. may result in different values.

The German production facilities in
Norderstedt, Moosburg and Landsberg
are certified.

ISO 9001
ISO 14001

Jungheinrich fork lift trucks meet
European safety requirements.



 **JUNGHEINRICH**

The Jungheinrich logo, featuring a red upward-pointing arrow above the word 'JUNGHEINRICH' in a bold, black, sans-serif font.