

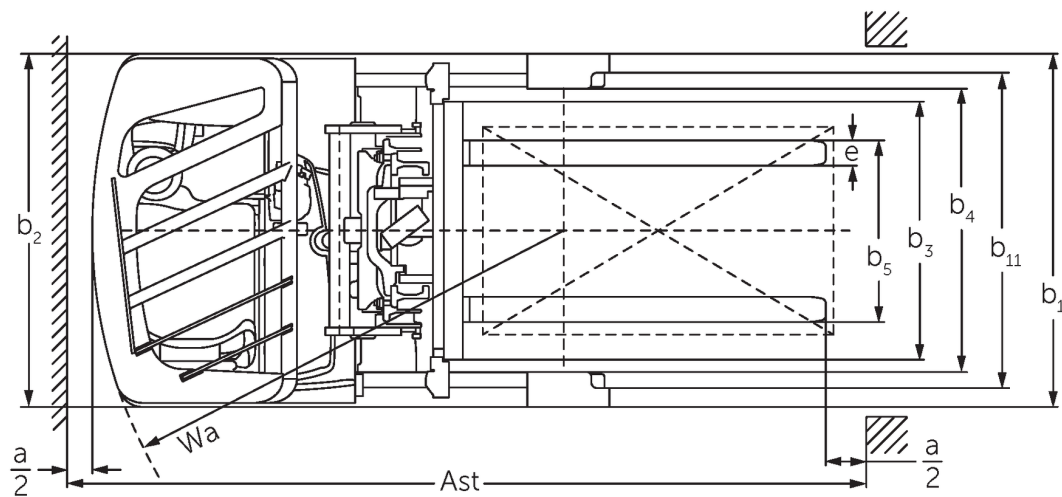
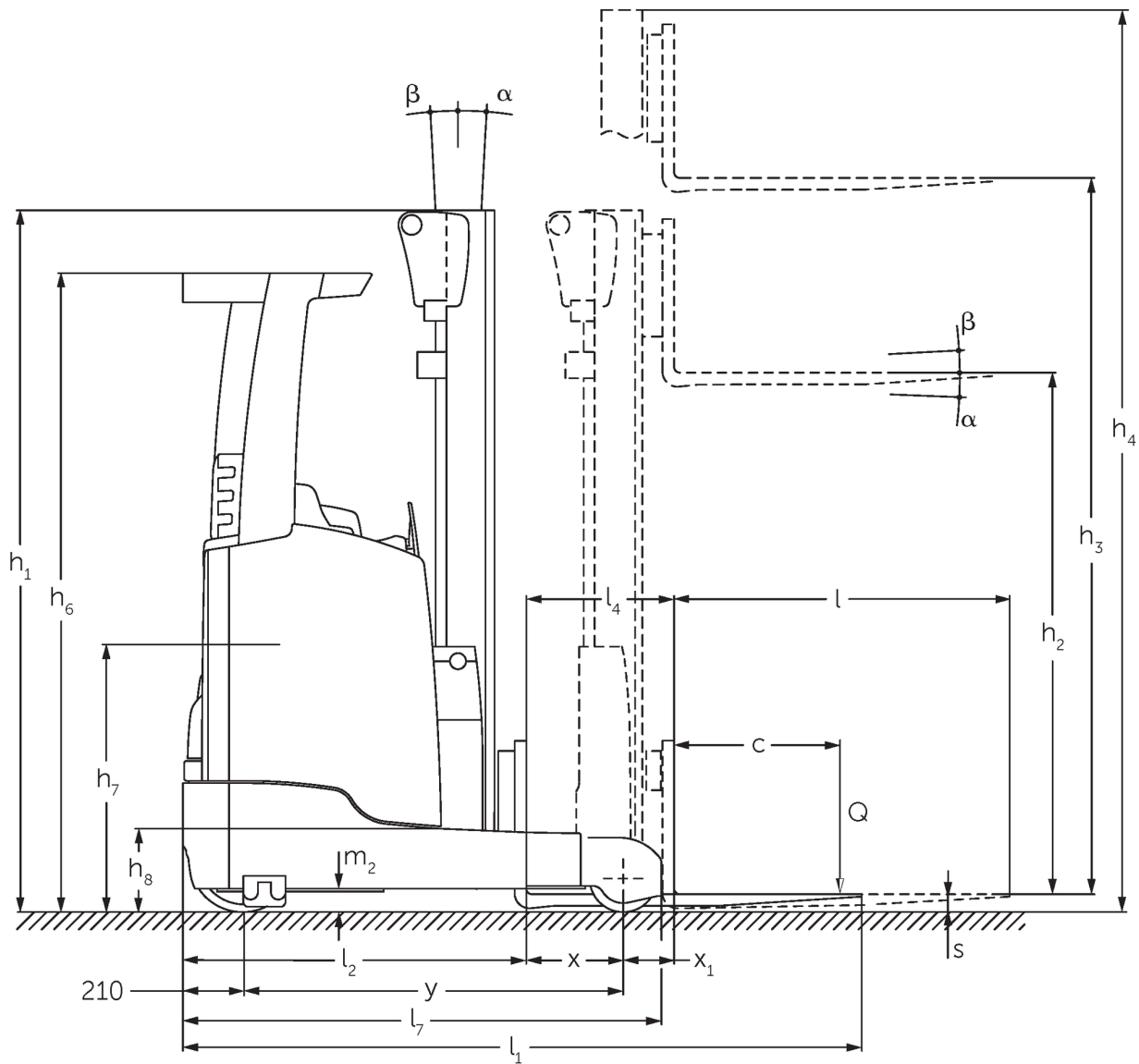


Electric reach truck

ETV 110 / 112

Lift height: 4550-7100 mm / Load capacity: 1000-1200 kg

ETV 110 / 112



ETV 110 / 112

ETV 110 , ETV 112	Lift (h3)	Retracted mast height (h1)	Free lift (h2)	Extended mast height (h4)	Forward/backward tilt of mast
Mast tilt / Triplex mast DZ / hot-rolled	4550 mm	2050 mm	1408 mm	5192 mm	1 / 3 °
	5000 mm	2200 mm	1558 mm	5642 mm	1 / 3 °
	5240 mm	2280 mm	1638 mm	5882 mm	1 / 3 °
	5300 mm	2300 mm	1658 mm	5942 mm	1 / 3 °
	5600 mm	2400 mm	1758 mm	6242 mm	1 / 3 °
	5900 mm	2500 mm	1858 mm	6542 mm	1 / 3 °
	6200 mm	2600 mm	1958 mm	6842 mm	1 / 3 °
	6500 mm	2700 mm	2058 mm	7142 mm	0.5 / 2 °
	6800 mm	2800 mm	2158 mm	7442 mm	0.5 / 2 °
	7100 mm	2900 mm	2258 mm	7742 mm	0.5 / 2 °

VDI table

Stand-on: 08/2021

					Jungheinrich	
Characteristic	1.1	Manufacturer (abbreviated description)			ETV 110	ETV 112
	1.2	Manufacturer's type designation				
	1.3	Drive			Electric	
	1.4	Operation			Sideways-seated	
	1.5	Load capacity/load	Q	kg	1000	1200
	1.6	Load centre distance	c	mm	600	
	1.8	Load distance, centre of drive axle to fork	x	mm	339	424
	1.8.1	Load distance, centre of drive axle to fork, mast extended		mm	170	
	1.9	Wheelbase	y	mm	1300	1385
Weights	2.1.1	Service weight (incl. battery)		kg	2560	2580
	2.3	Axle load unladen front/rear		kg	1587 / 973	1587 / 993
	2.4	Axle load fork forward laden front/rear		kg	634 / 2926	516 / 3264
	2.5	Axle load fork back laden front/rear		kg	1282 / 2278	1361 / 2419
Wheels/suspension system	3.1	Tyres			PU	
	3.2	Tyre size, front			Ø 343 x 114	
	3.3	Tyre size, rear			Ø 230 x 85	
	3.5	Wheels, number front/back (x=driven)			1x / 2	
	3.7	Tread width, rear	b ₁₁	mm	993	
Basic dimensions	4.2	Retracted mast height (h1)	h ₁	mm	2300	
	4.3	Free lift (h2)	h ₂	mm	1658	
	4.4	Lift (h3)	h ₃	mm	5300	
	4.5	Extended mast height (h4)	h ₄	mm	5942	
	4.7	Height of overhead guard (cab)	h ₆	mm	2190	
	4.8	Seat height/stand height	h ₇	mm	1057	
	4.10	Height of support arms	h ₈	mm	265	
	4.19	Overall length	l ₁	mm	2321	
	4.19.4	Length including fork length	l ₁	mm	2324	
	4.20	Length including fork shank	l ₂	mm	1174	
	4.21.1	Overall width	b ₁	mm	1120	
	4.21.2	Overall width	b ₂	mm	1120	
	4.22	Fork dimensions	s/e/l	mm	40 x 80 x 1150	
	4.23	Fork carriage connection class			2B	
	4.24	Fork carriage width	b ₃	mm	800	
	4.25	Width across forks	b ₅	mm	296	
	4.25.1	Width across forks (min./max.)	b ₅	mm	296 / 677	
	4.26	Width between support arms/loading areas	b ₄	mm	900	
	4.28	Reach distance		mm	509	594
	4.32	Ground clearance centre of wheelbase	m ₂	mm	80	
4.34	Aisle width (pallet 1000x1200 sideways)	Ast	mm	2608	2627	
4.34.1	Aisle width (pallet 800x1200 length)	Ast	mm	2664	2668	
4.35	Turning radius	W _a	mm	1515	1595	
4.37	Length over the support arms	L ₇	mm	1640	1725	
Performance data	5.1	Travel speed laden/unladen		km/h	11 / 11	
	5.2	Lift speed laden/unladen		m/s	0.48 / 0.7	0.43 / 0.7
	5.3	Lowering speed laden/unladen		m/s	0.5 / 0.5	
	5.4	Reach speed laden/unladen		m/s	0.2 / 0.2	
	5.7	Gradeability laden/unladen		%	7 / 10	
	5.8	Max. gradeability laden/unladen		%	10 / 15	

	5.9	Acceleration time laden/unladen	s	4.8 / 4.3	4.9 / 4.5
	5.10	Service brake		electric	
E-motor/Electronics	6.1	Drive motor, performance S2 60 min	kW	6	
	6.2	Lift motor, performance with S3	kW	13.3	
	6.3	Battery according to DIN 43531/35/36		DIN 43531 B	
	6.4	Battery voltage/nominal capacity	V / Ah	48 / 280	
	6.5	Battery weight	kg	556	
	6.6.1	Energy consumption according to EN cycle	kWh/h	2.81	3.05
	6.6.2	CO2 equivalent as per EN 16796	kg/h	1.5	1.7
	6.7	Throughput	t/h	38.63	46.65
	6.8.1	Energy consumption with max. throughput	kWh/h	2.89	3.06
Other	8.1	Type of drive control		Impulse / Mosfet AC	
	10.1	Operating pressure for attachment	bar	150	
	10.2	Oil flow for attachments	l/min	20	
	10.7	Sound level as per EN12053, operator's ear	dB (A)	68	

- This data sheet according to VDI guideline 2198 only states the technical values of the standard truck. Different tyres, other masts, additional equipment etc. may result in different values.

- VDI no. 1.8: the battery size influences the load distance, centre of drive axle to fork x
- VDI no. 2.1.1: the battery size and the mast version influence the service weight and the axle loads
- VDI no. 2.3: the battery size and the mast version influence the service weight and the axle loads
- VDI no. 2.4: the battery size and the mast version influence the service weight and the axle loads
- VDI no. 2.5: the battery size and the mast version influence the service weight and the axle loads
- VDI no. 4.1: the mast version determines the tilt values
- VDI no. 4.10: the height of the support arms is enlarged by 30 mm with a load support arm cover
- VDI no. 4.19: the battery size and the fork length influence the overall length l1
- VDI no. 4.20: the battery size influences the length including fork shank l2
- VDI no. 4.28: the battery size influences the reach distance l4
- VDI no. 4.34.1: the battery size influences the aisle widths
- VDI no. 4.34.2: the battery size influences the aisle widths

The German production facilities in
Norderstedt, Moosburg and Landsberg
are certified.

ISO 9001
ISO 14001

Jungheinrich fork lift trucks meet
European safety requirements.



 **JUNGHEINRICH**