

LI-ION
technology

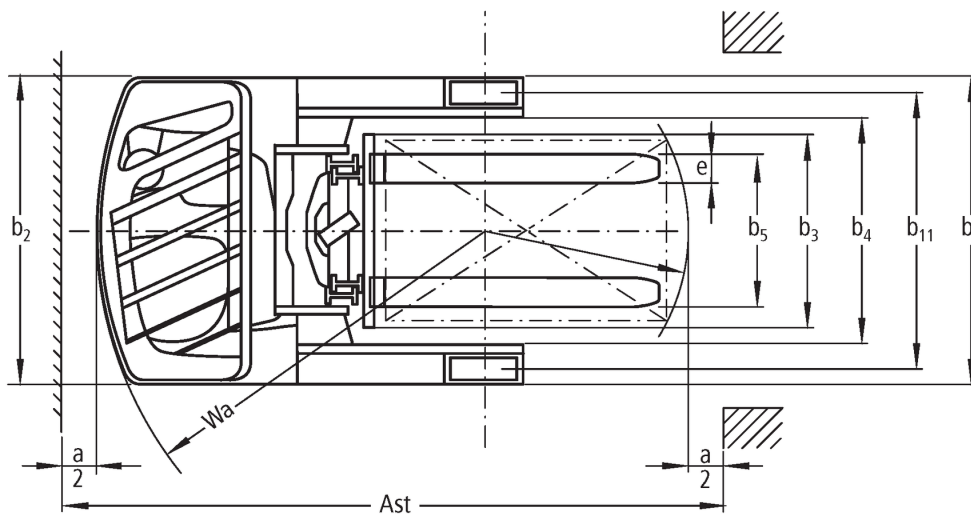
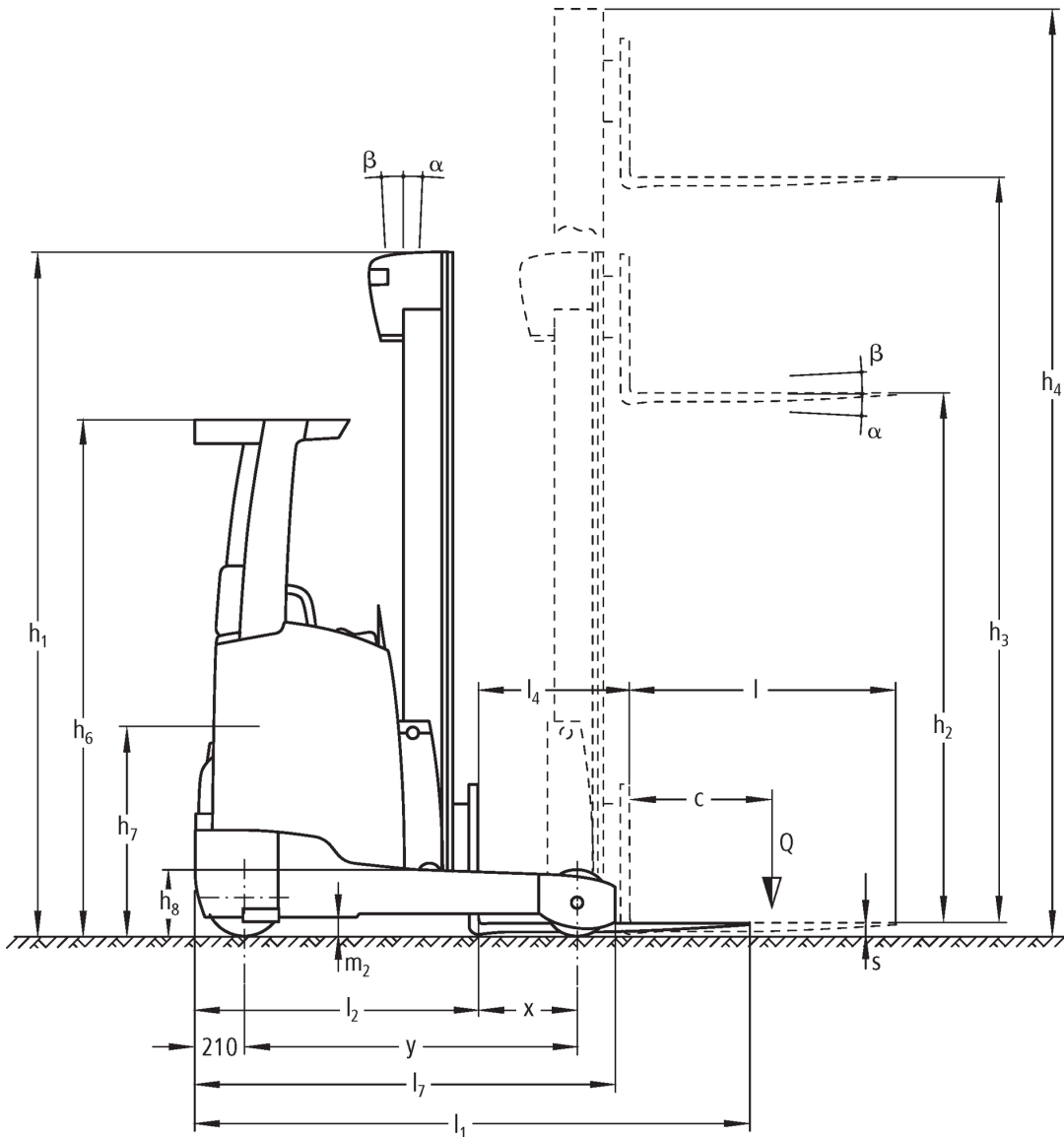


Electric reach truck **ETM/ETV 318-325**

Lift height: 4250-13000 mm / Load capacity: 1800-2500 kg

 JUNGHEINRICH

ETM/ETV 318-325



Reach truck ETM / ETV 214/216 2011

ETM/ETV 318-325

ETV 318, ETV 320, ETM 325, ETV 325	Lift (h3)	Retracted mast height (h1)	Free lift (h2)	Extended mast height (h4)	Forward/backward tilt of mast	Forward/backward tilt of fork carriage
Mast tilt / Triplex mast DZ / cold-formed	4250 mm	2050 mm	1320 mm	4996 mm	1 / 5 °	
	4700 mm	2200 mm	1470 mm	5446 mm	1 / 5 °	
	5000 mm	2300 mm	1570 mm	5746 mm	1 / 5 °	
	5300 mm	2400 mm	1670 mm	6046 mm	1 / 5 °	
	5420 mm	2440 mm	1710 mm	6166 mm	1 / 3 °	
	5600 mm	2500 mm	1770 mm	6346 mm	1 / 3 °	
	5900 mm	2600 mm	1870 mm	6646 mm	0.5 / 2 °	
	6050 mm	2650 mm	1920 mm	6796 mm	0.5 / 2 °	
	6200 mm	2700 mm	1970 mm	6946 mm	0.5 / 2 °	
	6500 mm	2800 mm	2070 mm	7246 mm	0.5 / 2 °	
	6800 mm	2900 mm	2170 mm	7546 mm	0.5 / 2 °	
	6950 mm	2950 mm	2220 mm	7696 mm	0.5 / 1 °	
	7400 mm	3100 mm	2370 mm	8146 mm	0.5 / 1 °	
	8000 mm	3300 mm	2570 mm	8746 mm	0.5 / 1 °	
	8420 mm	3440 mm	2710 mm	9166 mm	0.5 / 1 °	
	8720 mm	3540 mm	2810 mm	9466 mm	0.5 / 1 °	
9110 mm	3670 mm	2940 mm	9856 mm	0.5 / 1 °		
ETV 318, ETV 320, ETV 325	Lift (h3)	Retracted mast height (h1)	Free lift (h2)	Extended mast height (h4)	Forward/backward tilt of mast	Forward/backward tilt of fork carriage
Fork tilt / Triplex mast DZ / cold-formed	6200 mm	2700 mm	1970 mm	6946 mm	2 / 5 °	
	6500 mm	2800 mm	2070 mm	7246 mm	2 / 5 °	
	6800 mm	2900 mm	2170 mm	7546 mm	2 / 5 °	
	6950 mm	2950 mm	2220 mm	7696 mm	2 / 5 °	
	7400 mm	3100 mm	2370 mm	8146 mm	2 / 5 °	
	7700 mm	3200 mm	2470 mm	8446 mm	2 / 5 °	
	8000 mm	3300 mm	2570 mm	8746 mm	2 / 5 °	
	8420 mm	3440 mm	2710 mm	9166 mm	2 / 5 °	
	8720 mm	3540 mm	2810 mm	9466 mm	2 / 5 °	
	9110 mm	3670 mm	2940 mm	9856 mm	2 / 5 °	
	9620 mm	3840 mm	3110 mm	10366 mm	2 / 5 °	
	9950 mm	3950 mm	3220 mm	10696 mm	2 / 5 °	
	10220 mm	4100 mm	3370 mm	10966 mm	2 / 5 °	
	10520 mm	4200 mm	3470 mm	11266 mm	2 / 5 °	
	10700 mm	4260 mm	3530 mm	11446 mm	2 / 5 °	
	10880 mm	4320 mm	3590 mm	11626 mm	2 / 5 °	
	11120 mm	4400 mm	3670 mm	11866 mm	2 / 5 °	
11510 mm	4530 mm	3800 mm	12256 mm	2 / 5 °		
ETV 320, ETV 325	Lift (h3)	Retracted mast height (h1)	Free lift (h2)	Extended mast height (h4)	Forward/backward tilt of mast	Forward/backward tilt of fork carriage
Fork tilt / Triplex mast DZ / cold-formed	12020 mm	4700 mm	3970 mm	12766 mm	2 / 5 °	
	12530 mm	4870 mm	4140 mm	13276 mm	2 / 5 °	
	12830 mm	4970 mm	4240 mm	13576 mm	2 / 5 °	
	13000 mm	5026 mm	4296 mm	13746 mm	2 / 5 °	

VDI table

Stand-on: 08/2021

Characteristic	Code	Description	Unit	Jungheinrich			
				ETV 318	ETV 320	ETM 325	ETV 325
Characteristic	1.1	Manufacturer (abbreviated description)		Jungheinrich			
	1.2	Manufacturer's type designation		ETV 318	ETV 320	ETM 325	ETV 325
	1.3	Drive		Electric			
	1.4	Operation		Sideways-seated			
	1.5	Load capacity/load	Q kg	1800	2000	2500	
	1.6	Load centre distance	c mm	600			
	1.8	Load distance, centre of drive axle to fork	x mm	364	412	389	487
	1.8.1	Load distance, centre of drive axle to fork, mast extended	mm	205	230		
	1.9	Wheelbase	y mm	1460	1518	1673	
Weights	2.1.1	Service weight (incl. battery)	kg	3522	3650	3895	3700
	2.3	Axle load unladen front/rear	kg	2074 / 1448	2163 / 1487	2274 / 1621	2264 / 1436
	2.4	Axle load fork forward laden front/rear	kg	446 / 4876	558 / 5092	366 / 6029	602 / 5598
	2.5	Axle load fork back laden front/rear	kg	1805 / 3517	1953 / 3397	2057 / 4338	2032 / 4168
Wheels/suspension system	3.1	Tyres		PU			
	3.2	Tyre size, front		Ø 343 x 114		Ø 343 x 140	
	3.3	Tyre size, rear		Ø 285 x 100	Ø 355 x 106	Ø 355 x 135	
	3.5	Wheels, number front/back (x=driven)		1x / 2			
	3.7	Tread width, rear	b ₁₁ mm	1136	1155	1034	1184
Basic dimensions	4.2	Retracted mast height (h1)	h ₁ mm	2400			
	4.3	Free lift (h2)	h ₂ mm	1670			
	4.4	Lift (h3)	h ₃ mm	5300			
	4.5	Extended mast height (h4)	h ₄ mm	6046			
	4.7	Height of overhead guard (cab)	h ₆ mm	2190			
	4.8	Seat height/stand height	h ₇ mm	1057			
	4.10	Height of support arms	h ₈ mm	285	355		
	4.19	Overall length	l ₁ mm	2418	2459	2547	
	4.19.4	Length including fork length	l ₁ mm	2456	2466	2644	2546
	4.20	Length including fork shank	l ₂ mm	1306	1316	1494	1396
	4.21.1	Overall width	b ₁ mm	1270	1290	1198	1348
	4.21.2	Overall width	b ₂ mm	1270		1120	1270
	4.22	Fork dimensions	s/ e/l mm	40 x 120 x 1150	50 x 140 x 1150		
	4.23	Fork carriage connection class		2B			
	4.24	Fork carriage width	b ₃ mm	830			
	4.25	Width across forks	b ₅ mm	335	356		
	4.25.1	Width across forks (min./max.)	b ₅ mm	335 / 730	356 / 750	356 / 580	356 / 750
	4.26	Width between support arms/loading areas	b ₄ mm	940		790	940
	4.28	Reach distance	mm	569	624	703	736
	4.32	Ground clearance centre of wheelbase	m ₂ mm	80	95		
4.34	Aisle width (pallet 1000x1200 sideways)	Ast mm	2737	2750	2921	2854	
4.34.1	Aisle width (pallet 800x1200 length)	Ast mm	2790	2794	2969	2883	
4.35	Turning radius	W _a mm	1663	1710	1865		
4.37	Length over the support arms	L ₇ mm	1842	1920	2075		
Performance data	5.1	Travel speed laden/unladen (Efficiency drivePLUS)	km/h	11 / 11 14 / 14		0 / 0 14 / 14	
	5.2	Lift speed laden/unladen (Efficiency liftPLUS)	m/s	0.32 / 0.64 0.38 / 0.64		0 / 0 0.35 / 0.64	
	5.3	Lowering speed laden/unladen (Efficiency liftPLUS)	m/s	0.55 / 0.55 0.55 / 0.55		0 / 0 0.55 / 0.55	
	5.4	Reach speed laden/unladen (Efficiency liftPLUS)	m/s	0.18 / 0.18 0.2 / 0.2		0 / 0 0.2 / 0.2	

	5.7	Gradeability laden/unladen (Efficiency drivePLUS)	%	7 / 11 7 / 11		0 / 0 7 / 11	
	5.8	Max. gradeability laden/unladen (Efficiency drivePLUS)	%	9 / 13 9 / 13	10 / 15 10 / 15	0 / 0 10 / 15	
	5.9	Acceleration time laden/unladen (Efficiency drivePLUS)	s	5.4 / 5 5.2 / 4.7	5.6 / 5 5.3 / 4.7	0 / 0 5.4 / 4.7	
	5.10	Service brake		electric			
E-motor/Electronics	6.1	Drive motor, performance S2 60 min (Efficiency drivePLUS)	kW	6 8.5		0 8.5	
	6.2	Lift motor, performance with S3 (Efficiency liftPLUS)	kW	13.3 15.5		0 15.5	
	6.3	Battery according to DIN 43531/35/36		DIN 43531 C		DIN 43531 B	DIN 43531 C
	6.4	Battery voltage/nominal capacity	V / Ah	48 / 620		48 / 775	48 / 620
	6.5	Battery weight	kg	1005		1210	1005
	6.6.1	Energy consumption according to EN cycle (Efficiency PLUS)	kWh/h	3.77 3.73	3.89 4.57	0 4.57	
	6.6.2	CO2 equivalent as per EN 16796 (Efficiency PLUS)	kg/h	2.1 2	2.1 2.5	-	
	6.7	Throughput (Efficiency PLUS)	t/h	60.85 73.39	67.48 76.51	0 95.14	
	6.8.1	Energy consumption with max. throughput (Efficiency PLUS)	kWh/h	3.25 4.66	3.54 4.64	0 4.57	
Other	8.1	Type of drive control		Mosfet/AC			
	10.1	Operating pressure for attachment	bar	150			
	10.2	Oil flow for attachments	l/min	20			
	10.7	Sound level as per EN12053, operator's ear	dB (A)	68			

- This data sheet according to VDI guideline 2198 only states the technical values of the standard truck. Different tyres, other masts, additional equipment etc. may result in different values.

Efficiency: Werte Standardpaket | PLUS: Werte Leistungspaket

- VDI no. 1.8: the battery size and the mast type influence the load distance, centre of drive axle to fork x
- VDI no. 2.1.1: the battery size and the mast version influence the service weight and the axle loads
- VDI no. 2.3: the battery size and the mast version influence the service weight and the axle loads
- VDI no. 2.4: the battery size and the mast version influence the service weight and the axle loads
- VDI no. 2.5: the battery size and the mast version influence the service weight and the axle loads
- VDI no. 4.1: the mast version determines the tilt values
- VDI no. 4.10: the height of the support arms is enlarged by 30 mm with a load support arm cover
- VDI no. 4.19: the battery size, the mast type and the fork length influence the overall length l1
- VDI no. 4.20: the battery size and the mast type influence the length including fork shank l2
- VDI no. 4.28: the battery size and the mast type influence the reach distance l4
- VDI no. 4.34.1: the battery size and the mast type influence the aisle widths
- VDI no. 4.34.2: the battery size and the mast type influence the aisle widths
- VDI no. 6.6.1: PLUS refers to the drive&liftPLUS performance package
- VDI no. 6.6.2: PLUS refers to the drive&liftPLUS performance package
- VDI no. 6.7: PLUS refers to the drive&liftPLUS performance package
- VDI no. 6.8.1: PLUS refers to the drive&liftPLUS performance package

The German production facilities in
Norderstedt, Moosburg and Landsberg
are certified.

ISO 9001
ISO 14001

Jungheinrich fork lift trucks meet
European safety requirements.



 **JUNGHEINRICH**

The Jungheinrich logo, featuring a red upward-pointing arrow above the word 'JUNGHEINRICH' in a bold, black, sans-serif font.