



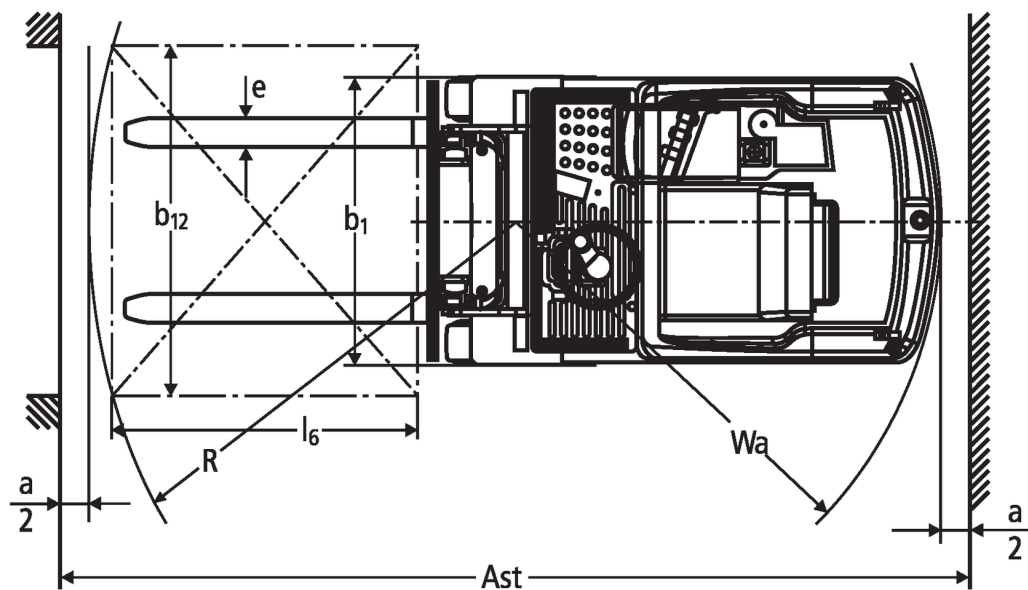
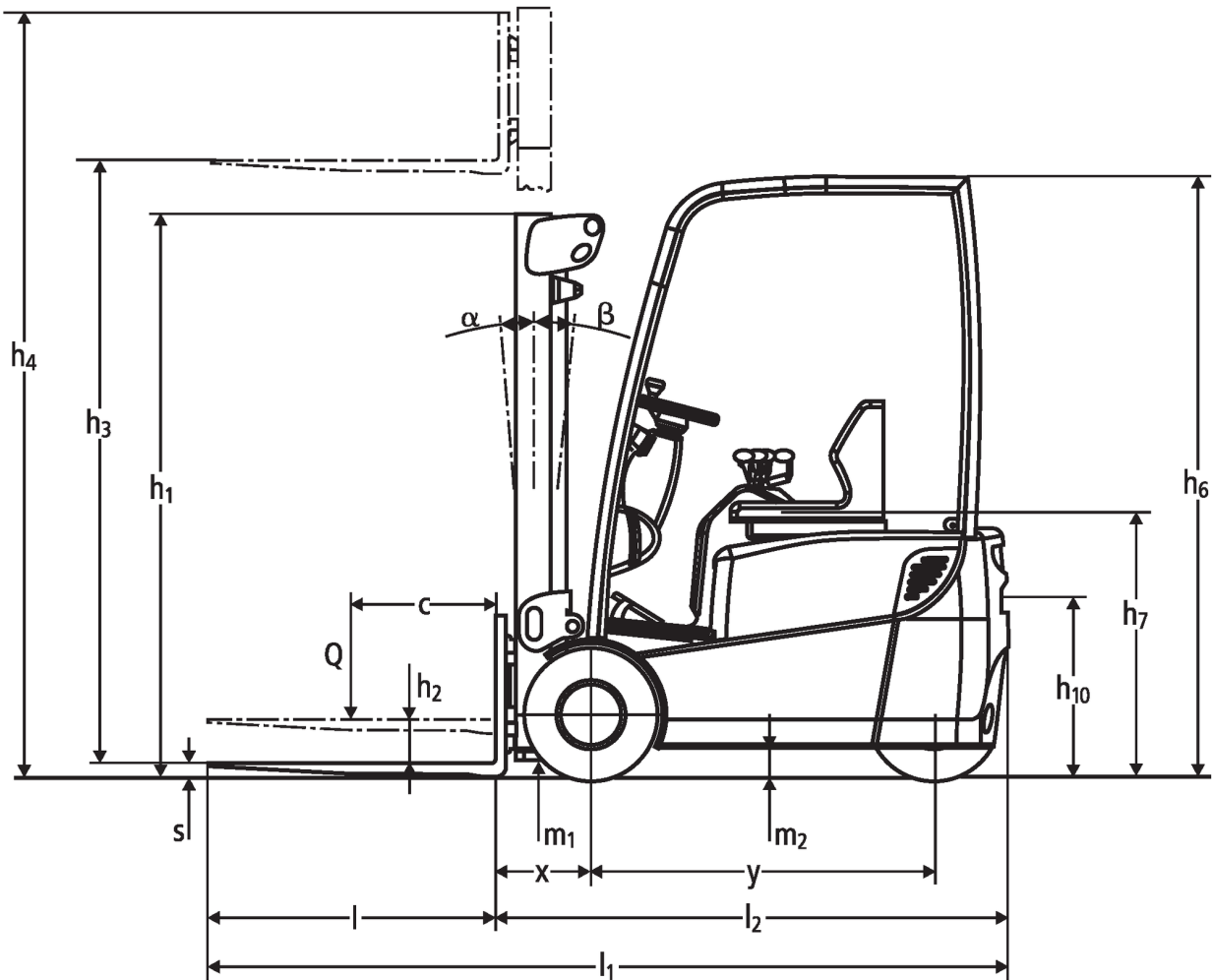
Electric three-wheel counterbalance forklift truck

EFG 110-115

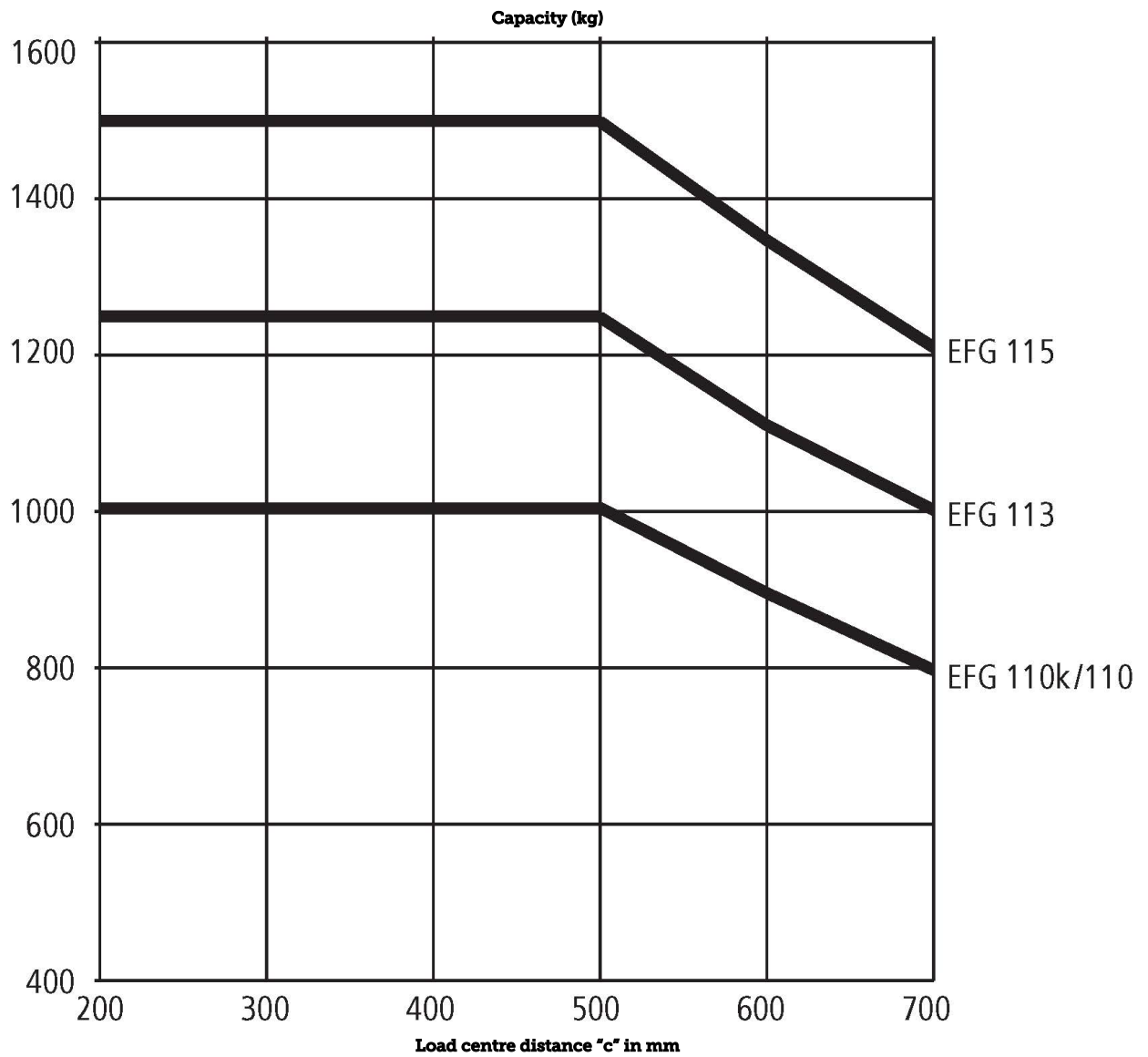
Lift height: 2300-6500 mm / Load capacity: 1000-1500 kg

JUNGHEINRICH

EFG 110-115



EFG 110-115



EFG 110-115

EFG 110 soloPILOT, EFG 110 multiPILOT, EFG 113 soloPILOT, EFG 113 multiPILOT, EFG 115 soloPILOT, EFG 115 multiPILOT	Lift (h3)	Retracted mast height (h1)	Free lift (h2)	Extended mast height (h4)	Forward/backward tilt of mast
Triplex mast DZ	6000 mm	2555 mm	2005 mm	6550 mm	5 / 4 °
EFG 110k soloPILOT, EFG 110k multiPILOT, EFG 110 soloPILOT, EFG 110 multiPILOT, EFG 113 soloPILOT, EFG 113 multiPILOT, EFG 115 soloPILOT, EFG 115 multiPILOT	Lift (h3)	Retracted mast height (h1)	Free lift (h2)	Extended mast height (h4)	Forward/backward tilt of mast
Duplex mast ZT	2300 mm	1650 mm	150 mm	2850 mm	5 / 4 °
	3000 mm	2000 mm	150 mm	3550 mm	5 / 6 °
	3100 mm	2050 mm	150 mm	3650 mm	5 / 6 °
	3300 mm	2150 mm	150 mm	3850 mm	5 / 6 °
	3600 mm	2300 mm	150 mm	4150 mm	5 / 6 °
	4000 mm	2500 mm	150 mm	4550 mm	5 / 6 °
	4500 mm	2800 mm	150 mm	5050 mm	5 / 6 °
	5000 mm	3050 mm	150 mm	5550 mm	5 / 5 °
Duplex mast ZZ	2300 mm	1605 mm	1055 mm	2850 mm	5 / 4 °
	3000 mm	1955 mm	1405 mm	3550 mm	5 / 6 °
	3100 mm	2005 mm	1455 mm	3650 mm	5 / 6 °
	3300 mm	2105 mm	1555 mm	3850 mm	5 / 6 °
	3600 mm	2255 mm	1705 mm	4150 mm	5 / 6 °
	4000 mm	2455 mm	1905 mm	4550 mm	5 / 6 °
Triplex mast DZ	4350 mm	1955 mm	1405 mm	4900 mm	5 / 6 °
	4500 mm	2005 mm	1455 mm	5050 mm	5 / 6 °
	4800 mm	2105 mm	1555 mm	5350 mm	5 / 6 °
	5000 mm	2180 mm	1630 mm	5550 mm	5 / 5 °
	5250 mm	2255 mm	1705 mm	5800 mm	5 / 5 °
	5500 mm	2355 mm	1805 mm	6050 mm	5 / 5 °
EFG 113 soloPILOT, EFG 113 multiPILOT, EFG 115 soloPILOT, EFG 115 multiPILOT	Lift (h3)	Retracted mast height (h1)	Free lift (h2)	Extended mast height (h4)	Forward/backward tilt of mast
Triplex mast DZ	6500 mm	2805 mm	2255 mm	7050 mm	5 / 4 °

VDI table

Stand-on: 08/2021

Characteristic	1.1	Manufacturer (abbreviated description)	Jungheinrich					
	1.2	Manufacturer's type designation	EFG 110k	EFG 110	EFG 113	EFG 115		
	1.3	Drive	Electric					
	1.4	Operation	Seat					
	1.5	Load capacity/load	Q	kg	1000	1250	1500	
	1.6	Load centre distance	c	mm	500			
	1.8	Load distance, centre of drive axle to fork	x	mm	335			
	1.9	Wheelbase	y	mm	984	1038	1146	1200
Weights	2.1.1	Service weight (incl. battery)	kg	2480	2560	2760	2765	2860
	2.2	Axle load laden front/rear	kg	2930 / 550	2935 / 625	3380 / 620		3795 / 565
	2.3	Axle load unladen front/rear	kg	1085 / 1395	1135 / 1425	1225 / 1525		1260 / 1600
Wheels/suspension system	3.1	Tyres	SE					
	3.2	Tyre size, front	18 x 7-8					
	3.3	Tyre size, rear	18 x 7-8					
	3.5	Wheels, number front/back (x=driven)	2/1x					
	3.6	Tread width, front	b ₁₀	mm	838			
	3.7	Tread width, rear	b ₁₁	mm	0			
	Basic dimensions	4.2	Retracted mast height (h1)	h ₁	mm	2000		
4.3		Free lift (h2)	h ₂	mm	150			
4.4		Lift (h3)	h ₃	mm	3000			
4.5		Extended mast height (h4)	h ₄	mm	3550			
4.7		Height of overhead guard (cab)	h ₆	mm	2090			
4.8		Seat height/stand height	h ₇	mm	900			
4.12		Coupling height	h ₁₀	mm	635			
4.19		Overall length	l ₁	mm	2724	2778	2886	2940
4.20		Length including fork shank	l ₂	mm	1574	1627	1736	1790
4.21.1		Overall width	b ₁	mm	990			
4.22		Fork dimensions	s/e/ l	mm	40 x 80 x 1150			
4.23		Fork carriage connection class	2A					
4.24		Fork carriage width	b ₃	mm	950			
4.31		Ground clearance laden under mast	m ₁	mm	90			
4.32		Ground clearance centre of wheelbase	m ₂	mm	100			
4.34		Aisle width (pallet 1000x1200 sideways)	Ast	mm	2903	2957	3065	3119
4.34.1		Aisle width (pallet 800x1200 length)	Ast	mm	3025	3079	3187	3241
4.35	Turning radius	W _a	mm	1239	1293	1401	1455	
4.36	Smallest pivot point distance	b ₁₃	mm	0				
Performance data	5.1	Travel speed laden/unladen	km/h	12 / 12.5				
	5.2	Lift speed laden/unladen	m/s	0.28 / 0.5	0.29 / 0.5	0.25 / 0.5	0.24 / 0.5	
	5.3	Lowering speed laden/unladen	m/s	0.58 / 0.6				
	5.5	Drawbar pull laden/unladen	N	1150 / 1250		1100 / 1250	1055 / 1250	
	5.6	Max. drawbar pull laden/unladen	N	4400 / 4500		4375 / 4500	4350 / 4500	
	5.7	Gradeability laden/unladen	%	8.5 / 12	8 / 11.5	7 / 11	6.5 / 10.5	
	5.8	Max. gradeability laden/unladen	%	13 / 18	12.5 / 17.5	11 / 16.5	10 / 16	
	5.9	Acceleration time laden/unladen	s	5.1 / 4.6		5.4 / 4.7	5.6 / 4.8	
	5.10	Service brake	hydraulic					

E-motor/Electronics	6.1	Drive motor, performance S2 60 min	kW	4			
	6.2	Lift motor, performance with S3	kW	6			
	6.3	Battery according to DIN 43531/35/36		DIN 43535 A			
	6.4	Battery voltage/nominal capacity	V / Ah	24 / 500	24 / 625	24 / 875	24 / 1000
	6.5	Battery weight	kg	380	450	600	690
	6.6.1	Energy consumption according to EN cycle	kWh/h	2.6		2.7	
	6.6.2	CO2 equivalent as per EN 16796	kg/h	1.4		1.5	
	6.7	Throughput	t/h	60		76	93
	6.8.1	Energy consumption with max. throughput	kWh/h	3.2	3.3	3.5	3.7
Other	8.1	Type of drive control		Impulse/AC			
	10.1	Operating pressure for attachment	bar	160		185	210
	10.2	Oil flow for attachments	l/min	14			
	10.7	Sound level as per EN12053, operator's ear	dB (A)	63			
	10.8	Trailer coupling, model/type DIN		DIN 15170 H			
<p>- This data sheet according to VDI guideline 2198 only states the technical values of the standard truck. Different tyres, other masts, additional equipment etc. may result in different values.</p>							

- 1.8: 337 mm for DZ mast; for integral sideshift: x = 362 mm (DZ mast 369 mm); for sideshift attachment: x = 390 mm (DZ mast 397 mm)
- 6.6.1: 45 working cycles / h

The German production facilities in
Norderstedt, Moosburg and Landsberg
are certified.

ISO 9001
ISO 14001

Jungheinrich fork lift trucks meet
European safety requirements.



 **JUNGHEINRICH**

The Jungheinrich logo, featuring a red upward-pointing arrow above the word 'JUNGHEINRICH' in a bold, black, sans-serif font.