

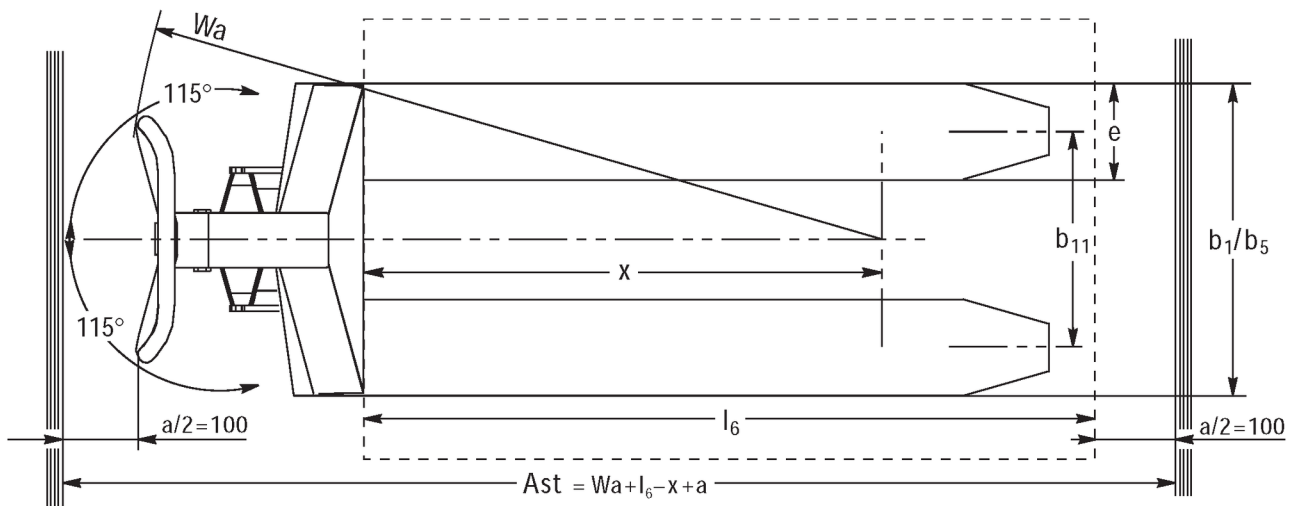
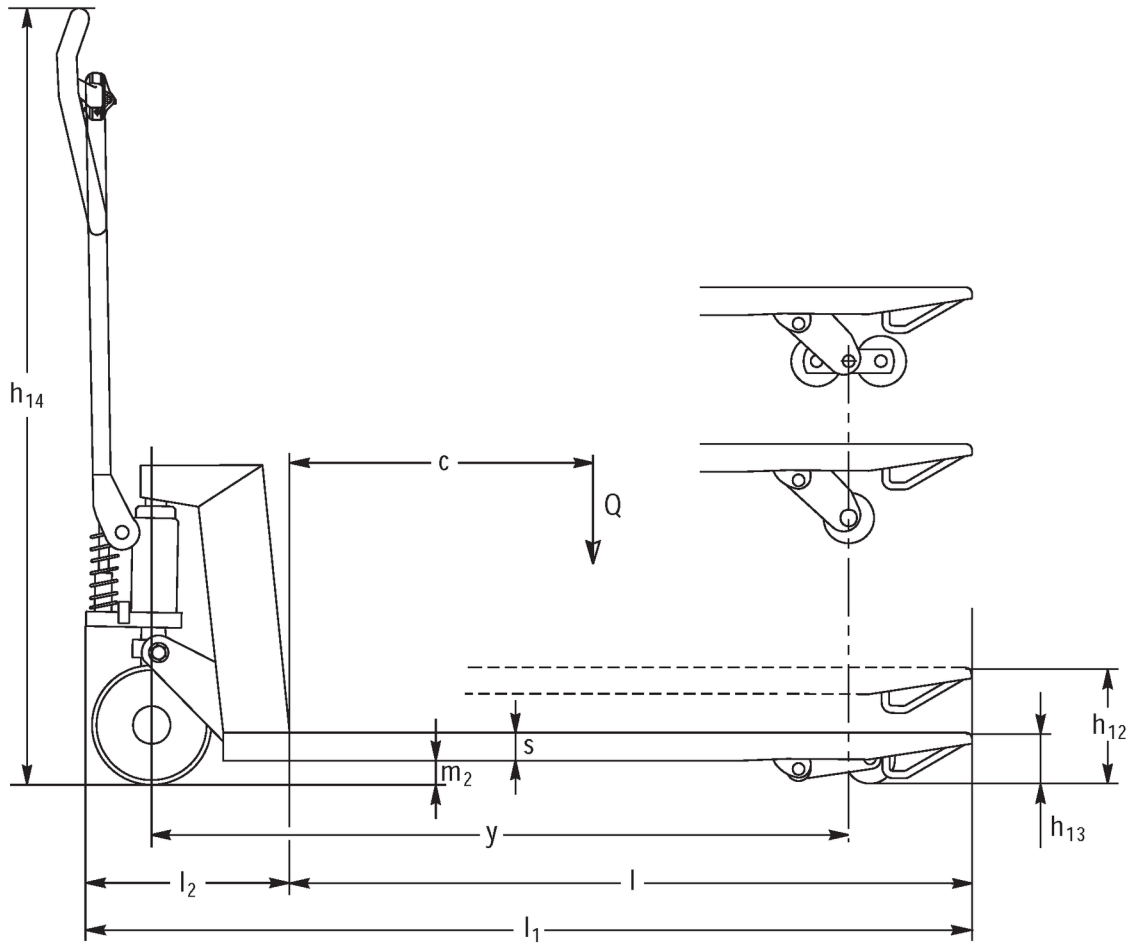


## **Hand pallet truck**

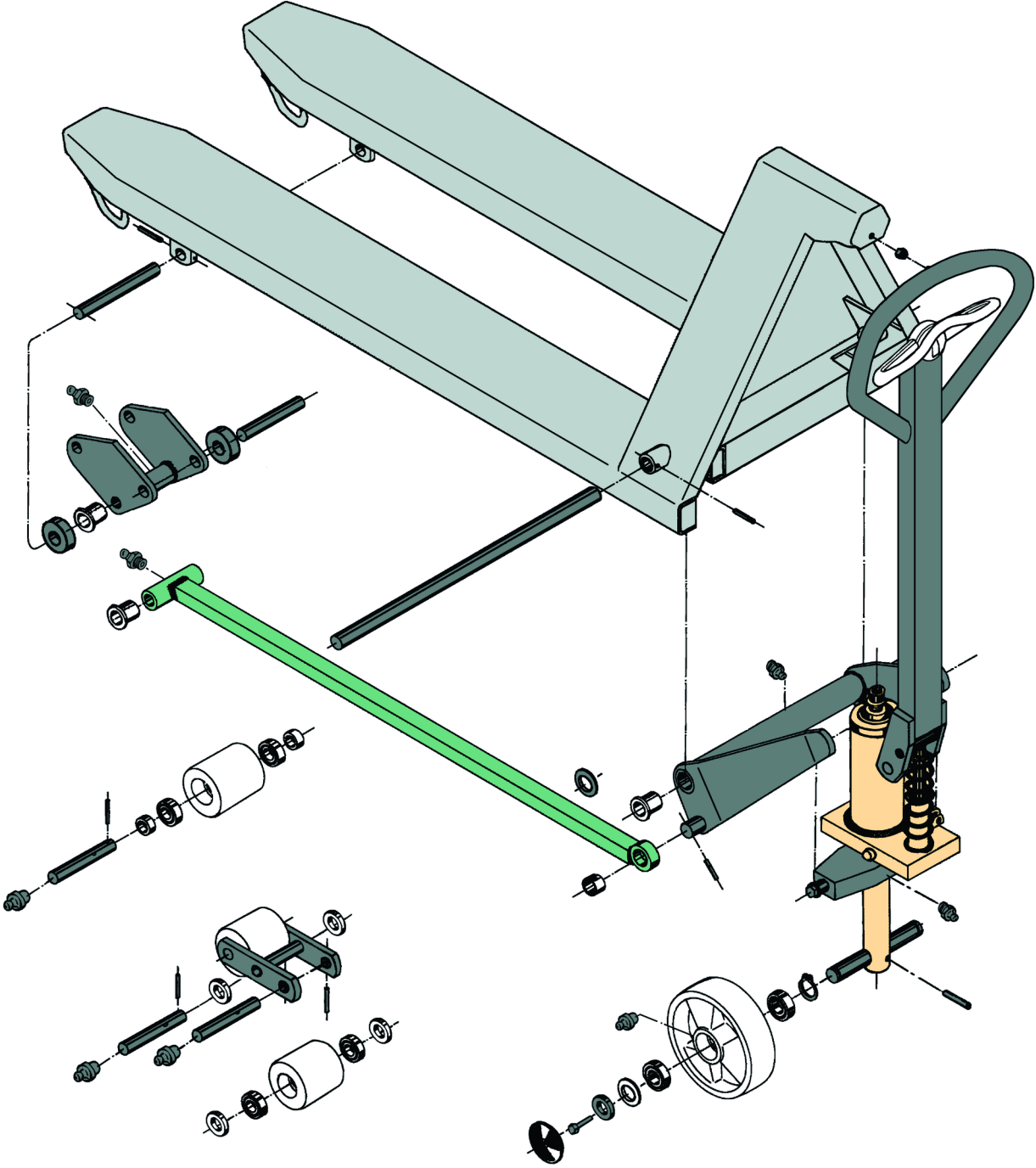
### **AM 120 / 120p**

**Lift height: 120 mm / Load capacity: 2000 kg**

# AM l20 / l20p

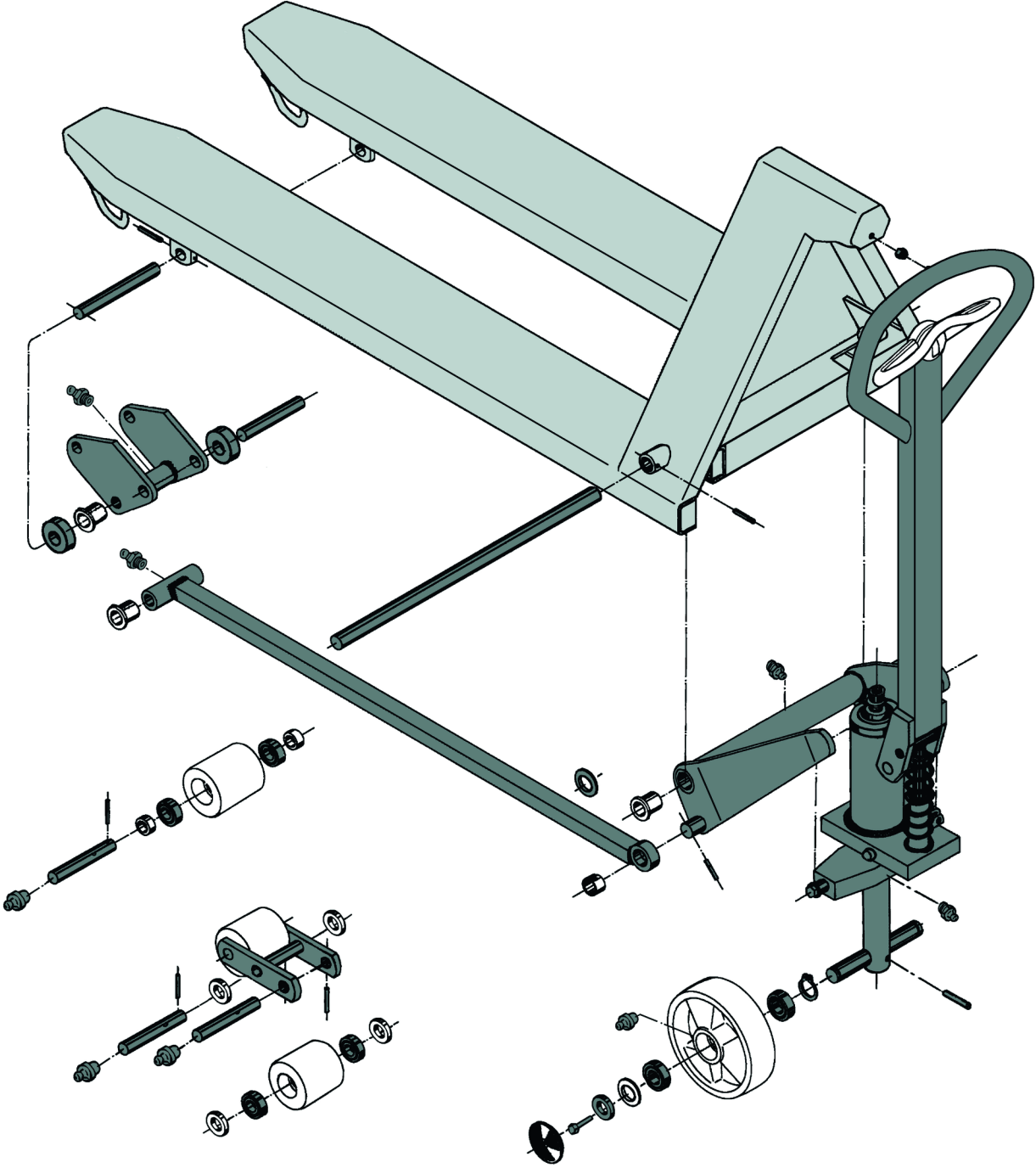


# AM 120 / 120p



AM 120

# AM 120 / 120p



AM 120p

# VDI table

Stand-on: 07/2022

|   |        |   |                 |                |                 |
|---|--------|---|-----------------|----------------|-----------------|
| Characteristic  | 1.1    | Manufacturer (abbreviated description)  |                 | Jungheinrich   |                 |
|   | 1.2    | Manufacturer's type designation         |                 | <b>AM I20p</b> |                 |
|   | 1.3    | Drive                                   |                 | Manual         |                 |
|   | 1.4    | Operation                               |                 | Manual         |                 |
|   | 1.5    | Load capacity/load                      | Q               | kg             | 2000            |
|   | 1.6    | Load centre distance                    | c               | mm             | 610             |
|   | 1.9    | Wheelbase                               | y               | mm             | 1245            |
| Weights   | 2.1    | Service weight                          |                 | kg             | 81              |
|   | 2.1.1  | Service weight (incl. battery)          |                 | kg             | 81              |
| Wheels/suspension system  | 3.1    | Tyres                                   |                 |                | V-BV            |
|   | 3.2    | Tyre size, front                        |                 |                | Ø 200x50        |
|   | 3.3    | Tyre size, rear                         |                 |                | Ø 80x70         |
|   | 3.5    | Wheels, number front/back (x=driven)    |                 |                | 2/2             |
|   | 3.6    | Tread width, front                      | b <sub>10</sub> | mm             | 120             |
|   | 3.7    | Tread width, rear                       | b <sub>11</sub> | mm             | 520             |
| Basic dimensions  | 4.4    | Lift (h <sub>3</sub> )                  | h <sub>3</sub>  | mm             | 120             |
|   | 4.14   | Stand height, elevated                  | h <sub>12</sub> | mm             | 205             |
|   | 4.15   | Height, lowered                         | h <sub>13</sub> | mm             | 85              |
|   | 4.19   | Overall length                          | l <sub>1</sub>  | mm             | 1555            |
|   | 4.21.1 | Overall width                           | b <sub>1</sub>  | mm             | 680             |
|   | 4.22   | Fork dimensions                         | s/e/l           | mm             | 51 x 160 x 1220 |
|   | 4.25   | Width across forks                      | b <sub>5</sub>  | mm             | 680             |
|   | 4.32   | Ground clearance centre of wheelbase    | m <sub>2</sub>  | mm             | 34              |
|   | 4.34.1 | Aisle width (pallet 1000x1200 sideways) | A <sub>st</sub> | mm             | 1610            |
|   | 4.34.2 | Aisle width (pallet 800x1200 length)    | A <sub>st</sub> | mm             | 1830            |
|   | 4.35   | Turning radius                          | W <sub>3</sub>  | mm             | 1410            |
| Performance data  | 5.3    | Lowering speed laden/unladen            |                 | m/s            | 0.1 / 0.05      |
| - This data sheet according to VDI guideline 2198 only states the technical values of the standard truck. Different tyres, other masts, additional equipment etc. may result in different values. |        |   |                 |                |                 |

|                |     |  |   |                |      |
|----------------|-----|--|---|----------------|------|
| Characteristic | 1.1 | Manufacturer (abbreviated description) |   | Jungheinrich   |      |
|                | 1.2 | Manufacturer's type designation        |   | <b>AM I20p</b> |      |
|                | 1.3 | Drive                                  |   | Manual         |      |
|                | 1.4 | Operation                              |   | Manual         |      |
|                | 1.5 | Load capacity/load                     | Q | kg             | 2000 |
|                | 1.6 | Load centre distance                   | c | mm             | 610  |
|                | 1.9 | Wheelbase                              | y | mm             | 1245 |

|   |        |   |                 |     |                 |
|---|--------|---|-----------------|-----|-----------------|
| Weights   | 2.1    | Service weight                          |                 | kg  | 81              |
|   | 2.1.1  | Service weight (incl. battery)          |                 | kg  | 81              |
| Wheels/suspension system  | 3.1    | Tyres                                   |                 |     | N-BN            |
|   | 3.2    | Tyre size, front                        |                 |     | Ø 200x50        |
|   | 3.3    | Tyre size, rear                         |                 |     | Ø 80x65         |
|   | 3.5    | Wheels, number front/back (x=driven)    |                 |     | 2/2             |
|   | 3.6    | Tread width, front                      | b <sub>10</sub> | mm  | 120             |
|   | 3.7    | Tread width, rear                       | b <sub>11</sub> | mm  | 520             |
| Basic dimensions  | 4.4    | Lift (h <sub>3</sub> )                  | h <sub>3</sub>  | mm  | 120             |
|   | 4.14   | Stand height, elevated                  | h <sub>12</sub> | mm  | 205             |
|   | 4.15   | Height, lowered                         | h <sub>13</sub> | mm  | 85              |
|   | 4.19   | Overall length                          | l <sub>1</sub>  | mm  | 1555            |
|   | 4.21.1 | Overall width                           | b <sub>1</sub>  | mm  | 680             |
|   | 4.22   | Fork dimensions                         | s/e/l           | mm  | 51 x 160 x 1220 |
|   | 4.25   | Width across forks                      | b <sub>5</sub>  | mm  | 680             |
|   | 4.32   | Ground clearance centre of wheelbase    | m <sub>2</sub>  | mm  | 34              |
|   | 4.34.1 | Aisle width (pallet 1000x1200 sideways) | A <sub>st</sub> | mm  | 1610            |
|   | 4.34.2 | Aisle width (pallet 800x1200 length)    | A <sub>st</sub> | mm  | 1830            |
|   | 4.35   | Turning radius                          | W <sub>s</sub>  | mm  | 1410            |
| Performance data  | 5.3    | Lowering speed laden/unladen            |                 | m/s | 0.1 / 0.05      |
| - This data sheet according to VDI guideline 2198 only states the technical values of the standard truck. Different tyres, other masts, additional equipment etc. may result in different values. |        |   |                 |     |                 |

|                          |       |  |                 |    |                |
|--------------------------|-------|--|-----------------|----|----------------|
| Characteristic           | 1.1   | Manufacturer (abbreviated description) |                 |    | Jungheinrich   |
|                          | 1.2   | Manufacturer's type designation        |                 |    | <b>AM I20p</b> |
|                          | 1.3   | Drive                                  |                 |    | Manual         |
|                          | 1.4   | Operation                              |                 |    | Manual         |
|                          | 1.5   | Load capacity/load                     | Q               | kg | 2000           |
|                          | 1.6   | Load centre distance                   | c               | mm | 610            |
|                          | 1.9   | Wheelbase                              | y               | mm | 1245           |
| Weights                  | 2.1   | Service weight                         |                 | kg | 78             |
|                          | 2.1.1 | Service weight (incl. battery)         |                 | kg | 78             |
| Wheels/suspension system | 3.1   | Tyres                                  |                 |    | V-GV           |
|                          | 3.2   | Tyre size, front                       |                 |    | Ø 200x50       |
|                          | 3.3   | Tyre size, rear                        |                 |    | Ø 80x90        |
|                          | 3.5   | Wheels, number front/back (x=driven)   |                 |    | 2/2            |
|                          | 3.6   | Tread width, front                     | b <sub>10</sub> | mm | 120            |
|                          | 3.7   | Tread width, rear                      | b <sub>11</sub> | mm | 520            |

|   |                |   |                 |      |                 |
|---|----------------|---|-----------------|------|-----------------|
| Basic dimensions  | 4.4            | Lift (h <sub>3</sub> )                  | h <sub>3</sub>  | mm   | 120             |
|   | 4.14           | Stand height, elevated                  | h <sub>12</sub> | mm   | 205             |
|   | 4.15           | Height, lowered                         | h <sub>13</sub> | mm   | 85              |
|   | 4.19           | Overall length                          | l <sub>1</sub>  | mm   | 1555            |
|   | 4.21.1         | Overall width                           | b <sub>1</sub>  | mm   | 680             |
|   | 4.22           | Fork dimensions                         | s/e/l           | mm   | 51 x 160 x 1220 |
|   | 4.25           | Width across forks                      | b <sub>5</sub>  | mm   | 680             |
|   | 4.32           | Ground clearance centre of wheelbase    | m <sub>2</sub>  | mm   | 34              |
|   | 4.34.1         | Aisle width (pallet 1000x1200 sideways) | Ast             | mm   | 1610            |
|   | 4.34.2         | Aisle width (pallet 800x1200 length)    | Ast             | mm   | 1830            |
| 4.35  | Turning radius | W <sub>a</sub>                          | mm              | 1410 |                 |
| Performance data  | 5.3            | Lowering speed laden/unladen            |                 | m/s  | 0.1 / 0.05      |
| - This data sheet according to VDI guideline 2198 only states the technical values of the standard truck. Different tyres, other masts, additional equipment etc. may result in different values. |                |   |                 |      |                 |

|                          |                |   |                 |      |                 |
|--------------------------|----------------|---|-----------------|------|-----------------|
| Characteristic           | 1.1            | Manufacturer (abbreviated description)  |                 |      | Jungheinrich    |
|                          | 1.2            | Manufacturer's type designation         |                 |      | <b>AM I20p</b>  |
|                          | 1.3            | Drive                                   |                 |      | Manual          |
|                          | 1.4            | Operation                               |                 |      | Manual          |
|                          | 1.5            | Load capacity/load                      | Q               | kg   | 2000            |
|                          | 1.6            | Load centre distance                    | c               | mm   | 610             |
|                          | 1.9            | Wheelbase                               | y               | mm   | 1245            |
| Weights                  | 2.1            | Service weight                          |                 | kg   | 78              |
|                          | 2.1.1          | Service weight (incl. battery)          |                 | kg   | 78              |
| Wheels/suspension system | 3.1            | Tyres                                   |                 |      | N-GN            |
|                          | 3.2            | Tyre size, front                        |                 |      | Ø 200x50        |
|                          | 3.3            | Tyre size, rear                         |                 |      | Ø 80x90         |
|                          | 3.5            | Wheels, number front/back (x=driven)    |                 |      | 2/2             |
|                          | 3.6            | Tread width, front                      | b <sub>10</sub> | mm   | 120             |
|                          | 3.7            | Tread width, rear                       | b <sub>11</sub> | mm   | 520             |
| Basic dimensions         | 4.4            | Lift (h <sub>3</sub> )                  | h <sub>3</sub>  | mm   | 120             |
|                          | 4.14           | Stand height, elevated                  | h <sub>12</sub> | mm   | 205             |
|                          | 4.15           | Height, lowered                         | h <sub>13</sub> | mm   | 85              |
|                          | 4.19           | Overall length                          | l <sub>1</sub>  | mm   | 1555            |
|                          | 4.21.1         | Overall width                           | b <sub>1</sub>  | mm   | 680             |
|                          | 4.22           | Fork dimensions                         | s/e/l           | mm   | 51 x 160 x 1220 |
|                          | 4.25           | Width across forks                      | b <sub>5</sub>  | mm   | 680             |
|                          | 4.32           | Ground clearance centre of wheelbase    | m <sub>2</sub>  | mm   | 34              |
|                          | 4.34.1         | Aisle width (pallet 1000x1200 sideways) | Ast             | mm   | 1610            |
|                          | 4.34.2         | Aisle width (pallet 800x1200 length)    | Ast             | mm   | 1830            |
| 4.35                     | Turning radius | W <sub>a</sub>                          | mm              | 1410 |                 |

|                  |     |                              |     |            |
|------------------|-----|------------------------------|-----|------------|
| Performance data | 5.3 | Lowering speed laden/unladen | m/s | 0.1 / 0.05 |
|------------------|-----|------------------------------|-----|------------|

- This data sheet according to VDI guideline 2198 only states the technical values of the standard truck. Different tyres, other masts, additional equipment etc. may result in different values.

|                          |                |   |                 |                |                 |
|--------------------------|----------------|---|-----------------|----------------|-----------------|
| Characteristic           | 1.1            | Manufacturer (abbreviated description)  |                 | Jungheinrich   |                 |
|                          | 1.2            | Manufacturer's type designation         |                 | <b>AM I20p</b> |                 |
|                          | 1.3            | Drive                                   |                 | Manual         |                 |
|                          | 1.4            | Operation                               |                 | Manual         |                 |
|                          | 1.5            | Load capacity/load                      | Q               | kg             | 2000            |
|                          | 1.6            | Load centre distance                    | c               | mm             | 570             |
|                          | 1.9            | Wheelbase                               | y               | mm             | 1165            |
| Weights                  | 2.1            | Service weight                          |                 | kg             | 78              |
| Wheels/suspension system | 3.1            | Tyres                                   |                 |                | V-BV            |
|                          | 3.2            | Tyre size, front                        |                 |                | Ø 200x50        |
|                          | 3.3            | Tyre size, rear                         |                 |                | Ø 80x70         |
|                          | 3.5            | Wheels, number front/back (x=driven)    |                 |                | 2/2             |
|                          | 3.6            | Tread width, front                      | b <sub>10</sub> | mm             | 120             |
|                          | 3.7            | Tread width, rear                       | b <sub>11</sub> | mm             | 520             |
| Basic dimensions         | 4.4            | Lift (h <sub>3</sub> )                  | h <sub>3</sub>  | mm             | 120             |
|                          | 4.14           | Stand height, elevated                  | h <sub>12</sub> | mm             | 205             |
|                          | 4.15           | Height, lowered                         | h <sub>13</sub> | mm             | 85              |
|                          | 4.19           | Overall length                          | l <sub>1</sub>  | mm             | 1475            |
|                          | 4.21.1         | Overall width                           | b <sub>1</sub>  | mm             | 680             |
|                          | 4.22           | Fork dimensions                         | s/e/l           | mm             | 51 x 160 x 1140 |
|                          | 4.25           | Width across forks                      | b <sub>5</sub>  | mm             | 680             |
|                          | 4.32           | Ground clearance centre of wheelbase    | m <sub>2</sub>  | mm             | 34              |
|                          | 4.34.1         | Aisle width (pallet 1000x1200 sideways) | A <sub>st</sub> | mm             | 1610            |
|                          | 4.34.2         | Aisle width (pallet 800x1200 length)    | A <sub>st</sub> | mm             | 1810            |
| 4.35                     | Turning radius | W <sub>a</sub>                          | mm              | 1330           |                 |
| Performance data         | 5.3            | Lowering speed laden/unladen            |                 | m/s            | 0.1 / 0.05      |

- This data sheet according to VDI guideline 2198 only states the technical values of the standard truck. Different tyres, other masts, additional equipment etc. may result in different values.



|                          |        |   |                 |     |                 |
|--------------------------|--------|---|-----------------|-----|-----------------|
| Characteristic           | 1.1    | Manufacturer (abbreviated description)  |                 |     | Jungheinrich    |
|                          | 1.2    | Manufacturer's type designation         |                 |     | <b>AM I20p</b>  |
|                          | 1.3    | Drive                                   |                 |     | Manual          |
|                          | 1.4    | Operation                               |                 |     | Manual          |
|                          | 1.5    | Load capacity/load                      | Q               | kg  | 2000            |
|                          | 1.6    | Load centre distance                    | c               | mm  | 570             |
|                          | 1.9    | Wheelbase                               | y               | mm  | 1165            |
| Weights                  | 2.1    | Service weight                          |                 | kg  | 78              |
| Wheels/suspension system | 3.1    | Tyres                                   |                 |     | N-BN            |
|                          | 3.2    | Tyre size, front                        |                 |     | Ø 200x50        |
|                          | 3.3    | Tyre size, rear                         |                 |     | Ø 80x65         |
|                          | 3.5    | Wheels, number front/back (x=driven)    |                 |     | 2/2             |
|                          | 3.6    | Tread width, front                      | b <sub>10</sub> | mm  | 120             |
|                          | 3.7    | Tread width, rear                       | b <sub>11</sub> | mm  | 520             |
| Basic dimensions         | 4.4    | Lift (h <sub>3</sub> )                  | h <sub>3</sub>  | mm  | 120             |
|                          | 4.14   | Stand height, elevated                  | h <sub>12</sub> | mm  | 205             |
|                          | 4.15   | Height, lowered                         | h <sub>13</sub> | mm  | 85              |
|                          | 4.19   | Overall length                          | l <sub>1</sub>  | mm  | 1475            |
|                          | 4.21.1 | Overall width                           | b <sub>1</sub>  | mm  | 680             |
|                          | 4.22   | Fork dimensions                         | s/e/l           | mm  | 51 x 160 x 1140 |
|                          | 4.25   | Width across forks                      | b <sub>5</sub>  | mm  | 680             |
|                          | 4.32   | Ground clearance centre of wheelbase    | m <sub>2</sub>  | mm  | 34              |
|                          | 4.34.1 | Aisle width (pallet 1000x1200 sideways) | A <sub>st</sub> | mm  | 1610            |
|                          | 4.34.2 | Aisle width (pallet 800x1200 length)    | A <sub>st</sub> | mm  | 1810            |
|                          | 4.35   | Turning radius                          | W <sub>a</sub>  | mm  | 1330            |
| Performance data         | 5.3    | Lowering speed laden/unladen            |                 | m/s | 0.1 / 0.05      |

- This data sheet according to VDI guideline 2198 only states the technical values of the standard truck. Different tyres, other masts, additional equipment etc. may result in different values.

|                |     |  |   |    |                |
|----------------|-----|--|---|----|----------------|
| Characteristic | 1.1 | Manufacturer (abbreviated description) |   |    | Jungheinrich   |
|                | 1.2 | Manufacturer's type designation        |   |    | <b>AM I20p</b> |
|                | 1.3 | Drive                                  |   |    | Manual         |
|                | 1.4 | Operation                              |   |    | Manual         |
|                | 1.5 | Load capacity/load                     | Q | kg | 2000           |
|                | 1.6 | Load centre distance                   | c | mm | 570            |
|                | 1.9 | Wheelbase                              | y | mm | 1165           |
| Weights        | 2.1 | Service weight                         |   | kg | 75             |

|   |        |   |                 |     |                 |
|---|--------|---|-----------------|-----|-----------------|
| Wheels/suspension system  | 3.1    | Tyres                                   |                 |     | C-GV            |
|   | 3.2    | Tyre size, front                        |                 |     | Ø 200x50        |
|   | 3.3    | Tyre size, rear                         |                 |     | Ø 80x90         |
|   | 3.5    | Wheels, number front/back (x=driven)    |                 |     | 2/2             |
|   | 3.6    | Tread width, front                      | b <sub>10</sub> | mm  | 120             |
|   | 3.7    | Tread width, rear                       | b <sub>11</sub> | mm  | 520             |
| Basic dimensions  | 4.4    | Lift (h <sub>3</sub> )                  | h <sub>3</sub>  | mm  | 120             |
|   | 4.14   | Stand height, elevated                  | h <sub>12</sub> | mm  | 205             |
|   | 4.15   | Height, lowered                         | h <sub>13</sub> | mm  | 85              |
|   | 4.19   | Overall length                          | l <sub>1</sub>  | mm  | 1475            |
|   | 4.21.1 | Overall width                           | b <sub>1</sub>  | mm  | 680             |
|   | 4.22   | Fork dimensions                         | s/e/l           | mm  | 51 x 160 x 1140 |
|   | 4.25   | Width across forks                      | b <sub>5</sub>  | mm  | 680             |
|   | 4.32   | Ground clearance centre of wheelbase    | m <sub>2</sub>  | mm  | 34              |
|   | 4.34.1 | Aisle width (pallet 1000x1200 sideways) | A <sub>st</sub> | mm  | 1610            |
|   | 4.34.2 | Aisle width (pallet 800x1200 length)    | A <sub>st</sub> | mm  | 1810            |
|   | 4.35   | Turning radius                          | W <sub>a</sub>  | mm  | 1330            |
| Performance data  | 5.3    | Lowering speed laden/unladen            |                 | m/s | 0.1 / 0.05      |
| - This data sheet according to VDI guideline 2198 only states the technical values of the standard truck. Different tyres, other masts, additional equipment etc. may result in different values. |        |   |                 |     |                 |

|                          |        |  |                 |    |                |
|--------------------------|--------|--|-----------------|----|----------------|
| Characteristic           | 1.1    | Manufacturer (abbreviated description) |                 |    | Jungheinrich   |
|                          | 1.2    | Manufacturer's type designation        |                 |    | <b>AM I20p</b> |
|                          | 1.3    | Drive                                  |                 |    | Manual         |
|                          | 1.4    | Operation                              |                 |    | Manual         |
|                          | 1.5    | Load capacity/load                     | Q               | kg | 2000           |
|                          | 1.6    | Load centre distance                   | c               | mm | 570            |
|                          | 1.9    | Wheelbase                              | y               | mm | 1165           |
| Weights                  | 2.1    | Service weight                         |                 | kg | 75             |
| Wheels/suspension system | 3.1    | Tyres                                  |                 |    | N-GN           |
|                          | 3.2    | Tyre size, front                       |                 |    | Ø 200x50       |
|                          | 3.3    | Tyre size, rear                        |                 |    | Ø 80x90        |
|                          | 3.5    | Wheels, number front/back (x=driven)   |                 |    | 2/2            |
|                          | 3.6    | Tread width, front                     | b <sub>10</sub> | mm | 120            |
|                          | 3.7    | Tread width, rear                      | b <sub>11</sub> | mm | 520            |
| Basic dimensions         | 4.4    | Lift (h <sub>3</sub> )                 | h <sub>3</sub>  | mm | 120            |
|                          | 4.14   | Stand height, elevated                 | h <sub>12</sub> | mm | 205            |
|                          | 4.15   | Height, lowered                        | h <sub>13</sub> | mm | 85             |
|                          | 4.19   | Overall length                         | l <sub>1</sub>  | mm | 1475           |
|                          | 4.21.1 | Overall width                          | b <sub>1</sub>  | mm | 680            |

|   |        |   |                |     |                 |
|---|--------|---|----------------|-----|-----------------|
|   | 4.22   | Fork dimensions                         | s/e/l          | mm  | 51 x 160 x 1140 |
|   | 4.25   | Width across forks                      | b <sub>5</sub> | mm  | 680             |
|   | 4.32   | Ground clearance centre of wheelbase    | m <sub>2</sub> | mm  | 34              |
|   | 4.34.1 | Aisle width (pallet 1000x1200 sideways) | Ast            | mm  | 1610            |
|   | 4.34.2 | Aisle width (pallet 800x1200 length)    | Ast            | mm  | 1810            |
|   | 4.35   | Turning radius                          | W <sub>a</sub> | mm  | 1330            |
| Performance data  | 5.3    | Lowering speed laden/unladen            |                | m/s | 0.1 / 0.05      |
| - This data sheet according to VDI guideline 2198 only states the technical values of the standard truck. Different tyres, other masts, additional equipment etc. may result in different values. |        |   |                |     |                 |

|                          |                |   |                 |      |                |
|--------------------------|----------------|---|-----------------|------|----------------|
| Characteristic           | 1.1            | Manufacturer (abbreviated description)  |                 |      | Jungheinrich   |
|                          | 1.2            | Manufacturer's type designation         |                 |      | <b>AM I20p</b> |
|                          | 1.3            | Drive                                   |                 |      | Manual         |
|                          | 1.4            | Operation                               |                 |      | Manual         |
|                          | 1.5            | Load capacity/load                      | Q               | kg   | 2000           |
|                          | 1.6            | Load centre distance                    | c               | mm   | 485            |
|                          | 1.9            | Wheelbase                               | y               | mm   | 995            |
| Weights                  | 2.1            | Service weight                          |                 | kg   | 72             |
|                          | 2.1.1          | Service weight (incl. battery)          |                 | kg   | 72             |
| Wheels/suspension system | 3.1            | Tyres                                   |                 |      | V-BV           |
|                          | 3.2            | Tyre size, front                        |                 |      | Ø 200x50       |
|                          | 3.3            | Tyre size, rear                         |                 |      | Ø 80x70        |
|                          | 3.5            | Wheels, number front/back (x=driven)    |                 |      | 2/2            |
|                          | 3.6            | Tread width, front                      | b <sub>10</sub> | mm   | 120            |
|                          | 3.7            | Tread width, rear                       | b <sub>11</sub> | mm   | 520            |
| Basic dimensions         | 4.4            | Lift (h <sub>3</sub> )                  | h <sub>3</sub>  | mm   | 120            |
|                          | 4.14           | Stand height, elevated                  | h <sub>12</sub> | mm   | 205            |
|                          | 4.15           | Height, lowered                         | h <sub>13</sub> | mm   | 85             |
|                          | 4.19           | Overall length                          | l <sub>1</sub>  | mm   | 1305           |
|                          | 4.21.1         | Overall width                           | b <sub>1</sub>  | mm   | 680            |
|                          | 4.22           | Fork dimensions                         | s/e/l           | mm   | 51 x 160 x 970 |
|                          | 4.25           | Width across forks                      | b <sub>5</sub>  | mm   | 680            |
|                          | 4.32           | Ground clearance centre of wheelbase    | m <sub>2</sub>  | mm   | 34             |
|                          | 4.34.1         | Aisle width (pallet 1000x1200 sideways) | Ast             | mm   | 1610           |
|                          | 4.34.2         | Aisle width (pallet 800x1200 length)    | Ast             | mm   | 1810           |
| 4.35                     | Turning radius | W <sub>a</sub>                          | mm              | 1160 |                |
| Performance data         | 5.3            | Lowering speed laden/unladen            |                 | m/s  | 0.1 / 0.05     |

- This data sheet according to VDI guideline 2198 only states the technical values of the standard truck. Different tyres, other masts, additional equipment etc. may result in different values.

|                          |        |   |                 |     |                |
|--------------------------|--------|---|-----------------|-----|----------------|
| Characteristic           | 1.1    | Manufacturer (abbreviated description)  |                 |     | Jungheinrich   |
|                          | 1.2    | Manufacturer's type designation         |                 |     | <b>AM I20p</b> |
|                          | 1.3    | Drive                                   |                 |     | Manual         |
|                          | 1.4    | Operation                               |                 |     | Manual         |
|                          | 1.5    | Load capacity/load                      | Q               | kg  | 2000           |
|                          | 1.6    | Load centre distance                    | c               | mm  | 485            |
|                          | 1.9    | Wheelbase                               | y               | mm  | 995            |
| Weights                  | 2.1    | Service weight                          |                 | kg  | 72             |
|                          | 2.1.1  | Service weight (incl. battery)          |                 | kg  | 72             |
| Wheels/suspension system | 3.1    | Tyres                                   |                 |     | N-BN           |
|                          | 3.2    | Tyre size, front                        |                 |     | Ø 200x50       |
|                          | 3.3    | Tyre size, rear                         |                 |     | Ø 80x65        |
|                          | 3.5    | Wheels, number front/back (x=driven)    |                 |     | 2/2            |
|                          | 3.6    | Tread width, front                      | b <sub>10</sub> | mm  | 120            |
|                          | 3.7    | Tread width, rear                       | b <sub>11</sub> | mm  | 520            |
| Basic dimensions         | 4.4    | Lift (h <sub>3</sub> )                  | h <sub>3</sub>  | mm  | 120            |
|                          | 4.14   | Stand height, elevated                  | h <sub>12</sub> | mm  | 205            |
|                          | 4.15   | Height, lowered                         | h <sub>13</sub> | mm  | 85             |
|                          | 4.19   | Overall length                          | l <sub>1</sub>  | mm  | 1305           |
|                          | 4.21.1 | Overall width                           | b <sub>1</sub>  | mm  | 680            |
|                          | 4.22   | Fork dimensions                         | s/e/l           | mm  | 51 x 160 x 970 |
|                          | 4.25   | Width across forks                      | b <sub>5</sub>  | mm  | 680            |
|                          | 4.32   | Ground clearance centre of wheelbase    | m <sub>2</sub>  | mm  | 34             |
|                          | 4.34.1 | Aisle width (pallet 1000x1200 sideways) | Ast             | mm  | 1610           |
|                          | 4.34.2 | Aisle width (pallet 800x1200 length)    | Ast             | mm  | 1810           |
|                          | 4.35   | Turning radius                          | W <sub>a</sub>  | mm  | 1160           |
| Performance data         | 5.3    | Lowering speed laden/unladen            |                 | m/s | 0.1 / 0.05     |

- This data sheet according to VDI guideline 2198 only states the technical values of the standard truck. Different tyres, other masts, additional equipment etc. may result in different values.

|                |     |  |   |    |                |
|----------------|-----|--|---|----|----------------|
| Characteristic | 1.1 | Manufacturer (abbreviated description) |   |    | Jungheinrich   |
|                | 1.2 | Manufacturer's type designation        |   |    | <b>AM I20p</b> |
|                | 1.3 | Drive                                  |   |    | Manual         |
|                | 1.4 | Operation                              |   |    | Manual         |
|                | 1.5 | Load capacity/load                     | Q | kg | 2000           |
|                | 1.6 | Load centre distance                   | c | mm | 485            |
|                | 1.9 | Wheelbase                              | y | mm | 995            |

|   |        |   |                 |     |                |
|---|--------|---|-----------------|-----|----------------|
| Weights   | 2.1    | Service weight                          |                 | kg  | 69             |
|   | 2.1.1  | Service weight (incl. battery)          |                 | kg  | 69             |
| Wheels/suspension system  | 3.1    | Tyres                                   |                 |     | V-GV           |
|   | 3.2    | Tyre size, front                        |                 |     | Ø 200x50       |
|   | 3.3    | Tyre size, rear                         |                 |     | Ø 80x90        |
|   | 3.5    | Wheels, number front/back (x=driven)    |                 |     | 2/2            |
|   | 3.6    | Tread width, front                      | b <sub>10</sub> | mm  | 120            |
|   | 3.7    | Tread width, rear                       | b <sub>11</sub> | mm  | 520            |
| Basic dimensions  | 4.4    | Lift (h <sub>3</sub> )                  | h <sub>3</sub>  | mm  | 120            |
|   | 4.14   | Stand height, elevated                  | h <sub>12</sub> | mm  | 205            |
|   | 4.15   | Height, lowered                         | h <sub>13</sub> | mm  | 85             |
|   | 4.19   | Overall length                          | l <sub>1</sub>  | mm  | 1305           |
|   | 4.21.1 | Overall width                           | b <sub>1</sub>  | mm  | 680            |
|   | 4.22   | Fork dimensions                         | s/e/l           | mm  | 51 x 160 x 970 |
|   | 4.25   | Width across forks                      | b <sub>5</sub>  | mm  | 680            |
|   | 4.32   | Ground clearance centre of wheelbase    | m <sub>2</sub>  | mm  | 34             |
|   | 4.34.1 | Aisle width (pallet 1000x1200 sideways) | A <sub>st</sub> | mm  | 1610           |
|   | 4.34.2 | Aisle width (pallet 800x1200 length)    | A <sub>st</sub> | mm  | 1810           |
|   | 4.35   | Turning radius                          | W <sub>a</sub>  | mm  | 1160           |
| Performance data  | 5.3    | Lowering speed laden/unladen            |                 | m/s | 0.1 / 0.05     |
| - This data sheet according to VDI guideline 2198 only states the technical values of the standard truck. Different tyres, other masts, additional equipment etc. may result in different values. |        |   |                 |     |                |

|                          |       |  |                 |    |                |
|--------------------------|-------|--|-----------------|----|----------------|
| Characteristic           | 1.1   | Manufacturer (abbreviated description) |                 |    | Jungheinrich   |
|                          | 1.2   | Manufacturer's type designation        |                 |    | <b>AM I20p</b> |
|                          | 1.3   | Drive                                  |                 |    | Manual         |
|                          | 1.4   | Operation                              |                 |    | Manual         |
|                          | 1.5   | Load capacity/load                     | Q               | kg | 2000           |
|                          | 1.6   | Load centre distance                   | c               | mm | 485            |
|                          | 1.9   | Wheelbase                              | y               | mm | 995            |
| Weights                  | 2.1   | Service weight                         |                 | kg | 69             |
|                          | 2.1.1 | Service weight (incl. battery)         |                 | kg | 66             |
| Wheels/suspension system | 3.1   | Tyres                                  |                 |    | N-GN           |
|                          | 3.2   | Tyre size, front                       |                 |    | Ø 200x50       |
|                          | 3.3   | Tyre size, rear                        |                 |    | Ø 80x90        |
|                          | 3.5   | Wheels, number front/back (x=driven)   |                 |    | 2/2            |
|                          | 3.6   | Tread width, front                     | b <sub>10</sub> | mm | 120            |
|                          | 3.7   | Tread width, rear                      | b <sub>11</sub> | mm | 520            |

|   |                |   |                 |      |                |
|---|----------------|---|-----------------|------|----------------|
| Basic dimensions  | 4.4            | Lift (h <sub>3</sub> )                  | h <sub>3</sub>  | mm   | 120            |
|   | 4.14           | Stand height, elevated                  | h <sub>12</sub> | mm   | 205            |
|   | 4.15           | Height, lowered                         | h <sub>13</sub> | mm   | 85             |
|   | 4.19           | Overall length                          | l <sub>1</sub>  | mm   | 1305           |
|   | 4.21.1         | Overall width                           | b <sub>1</sub>  | mm   | 680            |
|   | 4.22           | Fork dimensions                         | s/e/l           | mm   | 51 x 160 x 970 |
|   | 4.25           | Width across forks                      | b <sub>5</sub>  | mm   | 680            |
|   | 4.32           | Ground clearance centre of wheelbase    | m <sub>2</sub>  | mm   | 34             |
|   | 4.34.1         | Aisle width (pallet 1000x1200 sideways) | Ast             | mm   | 1610           |
|   | 4.34.2         | Aisle width (pallet 800x1200 length)    | Ast             | mm   | 1810           |
| 4.35  | Turning radius | W <sub>a</sub>                          | mm              | 1160 |                |
| Performance data  | 5.3            | Lowering speed laden/unladen            |                 | m/s  | 0.1 / 0.05     |
| - This data sheet according to VDI guideline 2198 only states the technical values of the standard truck. Different tyres, other masts, additional equipment etc. may result in different values. |                |   |                 |      |                |

|                          |                |   |                 |      |                |
|--------------------------|----------------|---|-----------------|------|----------------|
| Characteristic           | 1.1            | Manufacturer (abbreviated description)  |                 |      | Jungheinrich   |
|                          | 1.2            | Manufacturer's type designation         |                 |      | <b>AM I20p</b> |
|                          | 1.3            | Drive                                   |                 |      | Manual         |
|                          | 1.4            | Operation                               |                 |      | Manual         |
|                          | 1.5            | Load capacity/load                      | Q               | kg   | 2000           |
|                          | 1.6            | Load centre distance                    | c               | mm   | 405            |
|                          | 1.9            | Wheelbase                               | y               | mm   | 835            |
| Weights                  | 2.1            | Service weight                          |                 | kg   | 69             |
| Wheels/suspension system | 3.1            | Tyres                                   |                 |      | V-BV           |
|                          | 3.2            | Tyre size, front                        |                 |      | Ø 200x50       |
|                          | 3.3            | Tyre size, rear                         |                 |      | Ø 80x70        |
|                          | 3.5            | Wheels, number front/back (x=driven)    |                 |      | 2/2            |
|                          | 3.6            | Tread width, front                      | b <sub>10</sub> | mm   | 120            |
|                          | 3.7            | Tread width, rear                       | b <sub>11</sub> | mm   | 520            |
| Basic dimensions         | 4.4            | Lift (h <sub>3</sub> )                  | h <sub>3</sub>  | mm   | 120            |
|                          | 4.14           | Stand height, elevated                  | h <sub>12</sub> | mm   | 205            |
|                          | 4.15           | Height, lowered                         | h <sub>13</sub> | mm   | 85             |
|                          | 4.19           | Overall length                          | l <sub>1</sub>  | mm   | 1145           |
|                          | 4.21.1         | Overall width                           | b <sub>1</sub>  | mm   | 680            |
|                          | 4.22           | Fork dimensions                         | s/e/l           | mm   | 51 x 160 x 810 |
|                          | 4.25           | Width across forks                      | b <sub>5</sub>  | mm   | 680            |
|                          | 4.32           | Ground clearance centre of wheelbase    | m <sub>2</sub>  | mm   | 34             |
|                          | 4.34.1         | Aisle width (pallet 1000x1200 sideways) | Ast             | mm   | 1610           |
|                          | 4.34.2         | Aisle width (pallet 800x1200 length)    | Ast             | mm   | 1810           |
| 4.35                     | Turning radius | W <sub>a</sub>                          | mm              | 1000 |                |

|                  |   |                              |     |            |
|------------------|---|------------------------------|-----|------------|
| Performance data | 5.3   | Lowering speed laden/unladen | m/s | 0.1 / 0.05 |
|                  | - This data sheet according to VDI guideline 2198 only states the technical values of the standard truck. Different tyres, other masts, additional equipment etc. may result in different values. |                              |     |            |

|   |                |   |                 |                |                |
|---|----------------|---|-----------------|----------------|----------------|
| Characteristic  | 1.1            | Manufacturer (abbreviated description)  |                 | Jungheinrich   |                |
|   | 1.2            | Manufacturer's type designation         |                 | <b>AM I20p</b> |                |
|   | 1.3            | Drive                                   |                 | Manual         |                |
|   | 1.4            | Operation                               |                 | Manual         |                |
|   | 1.5            | Load capacity/load                      | Q               | kg             | 2000           |
|   | 1.6            | Load centre distance                    | c               | mm             | 405            |
|   | 1.9            | Wheelbase                               | y               | mm             | 835            |
| Weights   | 2.1            | Service weight                          |                 | kg             | 69             |
| Wheels/suspension system  | 3.1            | Tyres                                   |                 |                | N-BN           |
|   | 3.2            | Tyre size, front                        |                 |                | Ø 200x50       |
|   | 3.3            | Tyre size, rear                         |                 |                | Ø 80x65        |
|   | 3.5            | Wheels, number front/back (x=driven)    |                 |                | 2/2            |
|   | 3.6            | Tread width, front                      | b <sub>10</sub> | mm             | 120            |
|   | 3.7            | Tread width, rear                       | b <sub>11</sub> | mm             | 520            |
| Basic dimensions  | 4.4            | Lift (h <sub>3</sub> )                  | h <sub>3</sub>  | mm             | 120            |
|   | 4.14           | Stand height, elevated                  | h <sub>12</sub> | mm             | 205            |
|   | 4.15           | Height, lowered                         | h <sub>15</sub> | mm             | 85             |
|   | 4.19           | Overall length                          | l <sub>1</sub>  | mm             | 1145           |
|   | 4.21.1         | Overall width                           | b <sub>1</sub>  | mm             | 680            |
|   | 4.22           | Fork dimensions                         | s/e/l           | mm             | 51 x 160 x 810 |
|   | 4.25           | Width across forks                      | b <sub>5</sub>  | mm             | 680            |
|   | 4.32           | Ground clearance centre of wheelbase    | m <sub>2</sub>  | mm             | 34             |
|   | 4.34.1         | Aisle width (pallet 1000x1200 sideways) | A <sub>st</sub> | mm             | 1610           |
|   | 4.34.2         | Aisle width (pallet 800x1200 length)    | A <sub>st</sub> | mm             | 1810           |
| 4.35  | Turning radius | W <sub>a</sub>                          | mm              | 1000           |                |
| Performance data  | 5.3            | Lowering speed laden/unladen            |                 | m/s            | 0.1 / 0.05     |
| - This data sheet according to VDI guideline 2198 only states the technical values of the standard truck. Different tyres, other masts, additional equipment etc. may result in different values. |                |   |                 |                |                |

|                          |        |   |                 |                |                |
|--------------------------|--------|---|-----------------|----------------|----------------|
| Characteristic           | 1.1    | Manufacturer (abbreviated description)  |                 | Jungheinrich   |                |
|                          | 1.2    | Manufacturer's type designation         |                 | <b>AM I20p</b> |                |
|                          | 1.3    | Drive                                   |                 | Manual         |                |
|                          | 1.4    | Operation                               |                 | Manual         |                |
|                          | 1.5    | Load capacity/load                      | Q               | kg             | 2000           |
|                          | 1.6    | Load centre distance                    | c               | mm             | 405            |
|                          | 1.9    | Wheelbase                               | y               | mm             | 835            |
| Weights                  | 2.1    | Service weight                          |                 | kg             | 65             |
| Wheels/suspension system | 3.1    | Tyres                                   |                 |                | V-GV           |
|                          | 3.2    | Tyre size, front                        |                 |                | Ø 200x50       |
|                          | 3.3    | Tyre size, rear                         |                 |                | Ø 80x90        |
|                          | 3.5    | Wheels, number front/back (x=driven)    |                 |                | 2/2            |
|                          | 3.6    | Tread width, front                      | b <sub>10</sub> | mm             | 120            |
|                          | 3.7    | Tread width, rear                       | b <sub>11</sub> | mm             | 520            |
| Basic dimensions         | 4.4    | Lift (h <sub>3</sub> )                  | h <sub>3</sub>  | mm             | 120            |
|                          | 4.14   | Stand height, elevated                  | h <sub>12</sub> | mm             | 205            |
|                          | 4.15   | Height, lowered                         | h <sub>13</sub> | mm             | 85             |
|                          | 4.19   | Overall length                          | l <sub>1</sub>  | mm             | 1145           |
|                          | 4.21.1 | Overall width                           | b <sub>1</sub>  | mm             | 680            |
|                          | 4.22   | Fork dimensions                         | s/e/l           | mm             | 51 x 160 x 810 |
|                          | 4.25   | Width across forks                      | b <sub>5</sub>  | mm             | 680            |
|                          | 4.32   | Ground clearance centre of wheelbase    | m <sub>2</sub>  | mm             | 34             |
|                          | 4.34.1 | Aisle width (pallet 1000x1200 sideways) | A <sub>st</sub> | mm             | 1610           |
|                          | 4.34.2 | Aisle width (pallet 800x1200 length)    | A <sub>st</sub> | mm             | 1810           |
|                          | 4.35   | Turning radius                          | W <sub>a</sub>  | mm             | 1000           |
| Performance data         | 5.3    | Lowering speed laden/unladen            |                 | m/s            | 0.1 / 0.05     |

- This data sheet according to VDI guideline 2198 only states the technical values of the standard truck. Different tyres, other masts, additional equipment etc. may result in different values.

|                |     |  |   |                |      |
|----------------|-----|--|---|----------------|------|
| Characteristic | 1.1 | Manufacturer (abbreviated description) |   | Jungheinrich   |      |
|                | 1.2 | Manufacturer's type designation        |   | <b>AM I20p</b> |      |
|                | 1.3 | Drive                                  |   | Manual         |      |
|                | 1.4 | Operation                              |   | Manual         |      |
|                | 1.5 | Load capacity/load                     | Q | kg             | 2000 |
|                | 1.6 | Load centre distance                   | c | mm             | 405  |
|                | 1.9 | Wheelbase                              | y | mm             | 835  |
| Weights        | 2.1 | Service weight                         |   | kg             | 65   |



|   |        |   |                 |          |                |
|---|--------|---|-----------------|----------|----------------|
| Wheels/suspension system  | 3.1    | Tyres                                   |                 | N-GN     |                |
|   | 3.2    | Tyre size, front                        |                 | Ø 200x50 |                |
|   | 3.3    | Tyre size, rear                         |                 | Ø 80x90  |                |
|   | 3.5    | Wheels, number front/back (x=driven)    |                 | 2/2      |                |
|   | 3.6    | Tread width, front                      | b <sub>10</sub> | mm       | 120            |
|   | 3.7    | Tread width, rear                       | b <sub>11</sub> | mm       | 520            |
| Basic dimensions  | 4.4    | Lift (h <sub>3</sub> )                  | h <sub>3</sub>  | mm       | 120            |
|   | 4.14   | Stand height, elevated                  | h <sub>12</sub> | mm       | 205            |
|   | 4.15   | Height, lowered                         | h <sub>13</sub> | mm       | 85             |
|   | 4.19   | Overall length                          | l <sub>1</sub>  | mm       | 1145           |
|   | 4.21.1 | Overall width                           | b <sub>1</sub>  | mm       | 680            |
|   | 4.22   | Fork dimensions                         | s/e/l           | mm       | 51 x 160 x 810 |
|   | 4.25   | Width across forks                      | b <sub>5</sub>  | mm       | 680            |
|   | 4.32   | Ground clearance centre of wheelbase    | m <sub>2</sub>  | mm       | 34             |
|   | 4.34.1 | Aisle width (pallet 1000x1200 sideways) | A <sub>st</sub> | mm       | 1610           |
|   | 4.34.2 | Aisle width (pallet 800x1200 length)    | A <sub>st</sub> | mm       | 1810           |
|   | 4.35   | Turning radius                          | W <sub>a</sub>  | mm       | 1000           |
| Performance data  | 5.3    | Lowering speed laden/unladen            |                 | m/s      | 0.1 / 0.05     |
| - This data sheet according to VDI guideline 2198 only states the technical values of the standard truck. Different tyres, other masts, additional equipment etc. may result in different values. |        |   |                 |          |                |

|                          |        |  |                 |                |      |
|--------------------------|--------|--|-----------------|----------------|------|
| Characteristic           | 1.1    | Manufacturer (abbreviated description) |                 | Jungheinrich   |      |
|                          | 1.2    | Manufacturer's type designation        |                 | <b>AM I20p</b> |      |
|                          | 1.3    | Drive                                  |                 | Manual         |      |
|                          | 1.4    | Operation                              |                 | Manual         |      |
|                          | 1.5    | Load capacity/load                     | Q               | kg             | 2000 |
|                          | 1.6    | Load centre distance                   | c               | mm             | 610  |
|                          | 1.9    | Wheelbase                              | y               | mm             | 1245 |
| Weights                  | 2.1    | Service weight                         |                 | kg             | 75   |
|                          | 2.1.1  | Service weight (incl. battery)         |                 | kg             | 75   |
| Wheels/suspension system | 3.1    | Tyres                                  |                 | V-BV           |      |
|                          | 3.2    | Tyre size, front                       |                 | Ø 200x50       |      |
|                          | 3.3    | Tyre size, rear                        |                 | Ø 80x70        |      |
|                          | 3.5    | Wheels, number front/back (x=driven)   |                 | 2/2            |      |
|                          | 3.6    | Tread width, front                     | b <sub>10</sub> | mm             | 120  |
|                          | 3.7    | Tread width, rear                      | b <sub>11</sub> | mm             | 360  |
| Basic dimensions         | 4.4    | Lift (h <sub>3</sub> )                 | h <sub>3</sub>  | mm             | 120  |
|                          | 4.14   | Stand height, elevated                 | h <sub>12</sub> | mm             | 205  |
|                          | 4.15   | Height, lowered                        | h <sub>13</sub> | mm             | 85   |
|                          | 4.19   | Overall length                         | l <sub>1</sub>  | mm             | 1555 |
|                          | 4.21.1 | Overall width                          | b <sub>1</sub>  | mm             | 520  |

|                  |        |   |                |     |                 |
|------------------|--------|---|----------------|-----|-----------------|
|                  | 4.22   | Fork dimensions                         | s/e/l          | mm  | 51 x 160 x 1220 |
|                  | 4.25   | Width across forks                      | b <sub>5</sub> | mm  | 520             |
|                  | 4.32   | Ground clearance centre of wheelbase    | m <sub>2</sub> | mm  | 34              |
|                  | 4.34.1 | Aisle width (pallet 1000x1200 sideways) | Ast            | mm  | 1610            |
|                  | 4.34.2 | Aisle width (pallet 800x1200 length)    | Ast            | mm  | 1830            |
|                  | 4.35   | Turning radius                          | W <sub>a</sub> | mm  | 1410            |
| Performance data | 5.3    | Lowering speed laden/unladen            |                | m/s | 0.1 / 0.05      |

- This data sheet according to VDI guideline 2198 only states the technical values of the standard truck. Different tyres, other masts, additional equipment etc. may result in different values.

|                          |                |   |                 |      |                 |
|--------------------------|----------------|---|-----------------|------|-----------------|
| Characteristic           | 1.1            | Manufacturer (abbreviated description)  |                 |      | Jungheinrich    |
|                          | 1.2            | Manufacturer's type designation         |                 |      | <b>AM I20p</b>  |
|                          | 1.3            | Drive                                   |                 |      | Manual          |
|                          | 1.4            | Operation                               |                 |      | Manual          |
|                          | 1.5            | Load capacity/load                      | Q               | kg   | 2000            |
|                          | 1.6            | Load centre distance                    | c               | mm   | 610             |
|                          | 1.9            | Wheelbase                               | y               | mm   | 1245            |
| Weights                  | 2.1            | Service weight                          |                 | kg   | 75              |
|                          | 2.1.1          | Service weight (incl. battery)          |                 | kg   | 75              |
| Wheels/suspension system | 3.1            | Tyres                                   |                 |      | N-BN            |
|                          | 3.2            | Tyre size, front                        |                 |      | Ø 200x50        |
|                          | 3.3            | Tyre size, rear                         |                 |      | Ø 80x65         |
|                          | 3.5            | Wheels, number front/back (x=driven)    |                 |      | 2/2             |
|                          | 3.6            | Tread width, front                      | b <sub>10</sub> | mm   | 120             |
|                          | 3.7            | Tread width, rear                       | b <sub>11</sub> | mm   | 360             |
| Basic dimensions         | 4.4            | Lift (h <sub>3</sub> )                  | h <sub>3</sub>  | mm   | 120             |
|                          | 4.14           | Stand height, elevated                  | h <sub>12</sub> | mm   | 205             |
|                          | 4.15           | Height, lowered                         | h <sub>13</sub> | mm   | 85              |
|                          | 4.19           | Overall length                          | l <sub>1</sub>  | mm   | 1555            |
|                          | 4.21.1         | Overall width                           | b <sub>1</sub>  | mm   | 520             |
|                          | 4.22           | Fork dimensions                         | s/e/l           | mm   | 51 x 160 x 1220 |
|                          | 4.25           | Width across forks                      | b <sub>5</sub>  | mm   | 520             |
|                          | 4.32           | Ground clearance centre of wheelbase    | m <sub>2</sub>  | mm   | 34              |
|                          | 4.34.1         | Aisle width (pallet 1000x1200 sideways) | Ast             | mm   | 1610            |
|                          | 4.34.2         | Aisle width (pallet 800x1200 length)    | Ast             | mm   | 1830            |
| 4.35                     | Turning radius | W <sub>a</sub>                          | mm              | 1410 |                 |
| Performance data         | 5.3            | Lowering speed laden/unladen            |                 | m/s  | 0.1 / 0.05      |

- This data sheet according to VDI guideline 2198 only states the technical values of the standard truck. Different tyres, other masts, additional equipment etc. may result in different values.

|                          |        |   |                 |                |                 |
|--------------------------|--------|---|-----------------|----------------|-----------------|
| Characteristic           | 1.1    | Manufacturer (abbreviated description)  |                 | Jungheinrich   |                 |
|                          | 1.2    | Manufacturer's type designation         |                 | <b>AM I20p</b> |                 |
|                          | 1.3    | Drive                                   |                 | Manual         |                 |
|                          | 1.4    | Operation                               |                 | Manual         |                 |
|                          | 1.5    | Load capacity/load                      | Q               | kg             | 2000            |
|                          | 1.6    | Load centre distance                    | c               | mm             | 610             |
|                          | 1.9    | Wheelbase                               | y               | mm             | 1245            |
| Weights                  | 2.1    | Service weight                          |                 | kg             | 72              |
|                          | 2.1.1  | Service weight (incl. battery)          |                 | kg             | 72              |
| Wheels/suspension system | 3.1    | Tyres                                   |                 |                | V-GV            |
|                          | 3.2    | Tyre size, front                        |                 |                | Ø 200x50        |
|                          | 3.3    | Tyre size, rear                         |                 |                | Ø 80x90         |
|                          | 3.5    | Wheels, number front/back (x=driven)    |                 |                | 2/2             |
|                          | 3.6    | Tread width, front                      | b <sub>10</sub> | mm             | 120             |
|                          | 3.7    | Tread width, rear                       | b <sub>11</sub> | mm             | 360             |
| Basic dimensions         | 4.4    | Lift (h <sub>3</sub> )                  | h <sub>3</sub>  | mm             | 120             |
|                          | 4.14   | Stand height, elevated                  | h <sub>12</sub> | mm             | 205             |
|                          | 4.15   | Height, lowered                         | h <sub>13</sub> | mm             | 85              |
|                          | 4.19   | Overall length                          | l <sub>1</sub>  | mm             | 1555            |
|                          | 4.21.1 | Overall width                           | b <sub>1</sub>  | mm             | 520             |
|                          | 4.22   | Fork dimensions                         | s/e/l           | mm             | 51 x 160 x 1220 |
|                          | 4.25   | Width across forks                      | b <sub>5</sub>  | mm             | 520             |
|                          | 4.32   | Ground clearance centre of wheelbase    | m <sub>2</sub>  | mm             | 34              |
|                          | 4.34.1 | Aisle width (pallet 1000x1200 sideways) | A <sub>st</sub> | mm             | 1610            |
|                          | 4.34.2 | Aisle width (pallet 800x1200 length)    | A <sub>st</sub> | mm             | 1830            |
|                          | 4.35   | Turning radius                          | W <sub>s</sub>  | mm             | 1410            |
| Performance data         | 5.3    | Lowering speed laden/unladen            |                 | m/s            | 0.1 / 0.05      |

- This data sheet according to VDI guideline 2198 only states the technical values of the standard truck. Different tyres, other masts, additional equipment etc. may result in different values.

|                |     |  |   |                |      |
|----------------|-----|--|---|----------------|------|
| Characteristic | 1.1 | Manufacturer (abbreviated description) |   | Jungheinrich   |      |
|                | 1.2 | Manufacturer's type designation        |   | <b>AM I20p</b> |      |
|                | 1.3 | Drive                                  |   | Manual         |      |
|                | 1.4 | Operation                              |   | Manual         |      |
|                | 1.5 | Load capacity/load                     | Q | kg             | 2000 |
|                | 1.6 | Load centre distance                   | c | mm             | 610  |
|                | 1.9 | Wheelbase                              | y | mm             | 1245 |

|   |        |   |                 |     |                 |
|---|--------|---|-----------------|-----|-----------------|
| Weights   | 2.1    | Service weight                          |                 | kg  | 72              |
|   | 2.1.1  | Service weight (incl. battery)          |                 | kg  | 72              |
| Wheels/suspension system  | 3.1    | Tyres                                   |                 |     | N-GN            |
|   | 3.2    | Tyre size, front                        |                 |     | Ø 200x50        |
|   | 3.3    | Tyre size, rear                         |                 |     | Ø 80x90         |
|   | 3.5    | Wheels, number front/back (x=driven)    |                 |     | 2/2             |
|   | 3.6    | Tread width, front                      | b <sub>10</sub> | mm  | 120             |
|   | 3.7    | Tread width, rear                       | b <sub>11</sub> | mm  | 360             |
| Basic dimensions  | 4.4    | Lift (h <sub>3</sub> )                  | h <sub>3</sub>  | mm  | 120             |
|   | 4.14   | Stand height, elevated                  | h <sub>12</sub> | mm  | 205             |
|   | 4.15   | Height, lowered                         | h <sub>13</sub> | mm  | 85              |
|   | 4.19   | Overall length                          | l <sub>1</sub>  | mm  | 1555            |
|   | 4.21.1 | Overall width                           | b <sub>1</sub>  | mm  | 520             |
|   | 4.22   | Fork dimensions                         | s/e/l           | mm  | 51 x 160 x 1220 |
|   | 4.25   | Width across forks                      | b <sub>5</sub>  | mm  | 520             |
|   | 4.32   | Ground clearance centre of wheelbase    | m <sub>2</sub>  | mm  | 34              |
|   | 4.34.1 | Aisle width (pallet 1000x1200 sideways) | A <sub>st</sub> | mm  | 1610            |
|   | 4.34.2 | Aisle width (pallet 800x1200 length)    | A <sub>st</sub> | mm  | 1830            |
|   | 4.35   | Turning radius                          | W <sub>s</sub>  | mm  | 1410            |
| Performance data  | 5.3    | Lowering speed laden/unladen            |                 | m/s | 0.1 / 0.05      |
| - This data sheet according to VDI guideline 2198 only states the technical values of the standard truck. Different tyres, other masts, additional equipment etc. may result in different values. |        |   |                 |     |                 |

|                          |     |  |                 |    |                |
|--------------------------|-----|--|-----------------|----|----------------|
| Characteristic           | 1.1 | Manufacturer (abbreviated description) |                 |    | Jungheinrich   |
|                          | 1.2 | Manufacturer's type designation        |                 |    | <b>AM I20p</b> |
|                          | 1.3 | Drive                                  |                 |    | Manual         |
|                          | 1.4 | Operation                              |                 |    | Manual         |
|                          | 1.5 | Load capacity/load                     | Q               | kg | 2000           |
|                          | 1.6 | Load centre distance                   | c               | mm | 570            |
|                          | 1.9 | Wheelbase                              | y               | mm | 1165           |
| Weights                  | 2.1 | Service weight                         |                 | kg | 72             |
| Wheels/suspension system | 3.1 | Tyres                                  |                 |    | V-BV           |
|                          | 3.2 | Tyre size, front                       |                 |    | Ø 200x50       |
|                          | 3.3 | Tyre size, rear                        |                 |    | Ø 80x70        |
|                          | 3.5 | Wheels, number front/back (x=driven)   |                 |    | 2/2            |
|                          | 3.6 | Tread width, front                     | b <sub>10</sub> | mm | 120            |
|                          | 3.7 | Tread width, rear                      | b <sub>11</sub> | mm | 360            |

|   |                |   |                 |      |                 |
|---|----------------|---|-----------------|------|-----------------|
| Basic dimensions  | 4.4            | Lift (h <sub>3</sub> )                  | h <sub>3</sub>  | mm   | 120             |
|   | 4.14           | Stand height, elevated                  | h <sub>12</sub> | mm   | 205             |
|   | 4.15           | Height, lowered                         | h <sub>13</sub> | mm   | 85              |
|   | 4.19           | Overall length                          | l <sub>1</sub>  | mm   | 1475            |
|   | 4.21.1         | Overall width                           | b <sub>1</sub>  | mm   | 520             |
|   | 4.22           | Fork dimensions                         | s/e/l           | mm   | 51 x 160 x 1140 |
|   | 4.25           | Width across forks                      | b <sub>5</sub>  | mm   | 520             |
|   | 4.32           | Ground clearance centre of wheelbase    | m <sub>2</sub>  | mm   | 34              |
|   | 4.34.1         | Aisle width (pallet 1000x1200 sideways) | Ast             | mm   | 1610            |
|   | 4.34.2         | Aisle width (pallet 800x1200 length)    | Ast             | mm   | 1810            |
| 4.35  | Turning radius | W <sub>a</sub>                          | mm              | 1330 |                 |
| Performance data  | 5.3            | Lowering speed laden/unladen            |                 | m/s  | 0.1 / 0.05      |
| - This data sheet according to VDI guideline 2198 only states the technical values of the standard truck. Different tyres, other masts, additional equipment etc. may result in different values. |                |   |                 |      |                 |

|                          |                |   |                 |      |                 |
|--------------------------|----------------|---|-----------------|------|-----------------|
| Characteristic           | 1.1            | Manufacturer (abbreviated description)  |                 |      | Jungheinrich    |
|                          | 1.2            | Manufacturer's type designation         |                 |      | <b>AM I20p</b>  |
|                          | 1.3            | Drive                                   |                 |      | Manual          |
|                          | 1.4            | Operation                               |                 |      | Manual          |
|                          | 1.5            | Load capacity/load                      | Q               | kg   | 2000            |
|                          | 1.6            | Load centre distance                    | c               | mm   | 570             |
|                          | 1.9            | Wheelbase                               | y               | mm   | 1165            |
| Weights                  | 2.1            | Service weight                          |                 | kg   | 72              |
| Wheels/suspension system | 3.1            | Tyres                                   |                 |      | N-BN            |
|                          | 3.2            | Tyre size, front                        |                 |      | Ø 200x50        |
|                          | 3.3            | Tyre size, rear                         |                 |      | Ø 80x65         |
|                          | 3.5            | Wheels, number front/back (x=driven)    |                 |      | 2/2             |
|                          | 3.6            | Tread width, front                      | b <sub>10</sub> | mm   | 120             |
|                          | 3.7            | Tread width, rear                       | b <sub>11</sub> | mm   | 360             |
| Basic dimensions         | 4.4            | Lift (h <sub>3</sub> )                  | h <sub>3</sub>  | mm   | 120             |
|                          | 4.14           | Stand height, elevated                  | h <sub>12</sub> | mm   | 205             |
|                          | 4.15           | Height, lowered                         | h <sub>13</sub> | mm   | 85              |
|                          | 4.19           | Overall length                          | l <sub>1</sub>  | mm   | 1475            |
|                          | 4.21.1         | Overall width                           | b <sub>1</sub>  | mm   | 520             |
|                          | 4.22           | Fork dimensions                         | s/e/l           | mm   | 51 x 160 x 1140 |
|                          | 4.25           | Width across forks                      | b <sub>5</sub>  | mm   | 520             |
|                          | 4.32           | Ground clearance centre of wheelbase    | m <sub>2</sub>  | mm   | 34              |
|                          | 4.34.1         | Aisle width (pallet 1000x1200 sideways) | Ast             | mm   | 1610            |
|                          | 4.34.2         | Aisle width (pallet 800x1200 length)    | Ast             | mm   | 1810            |
| 4.35                     | Turning radius | W <sub>a</sub>                          | mm              | 1330 |                 |

|                  |   |                              |     |            |
|------------------|---|------------------------------|-----|------------|
| Performance data | 5.3   | Lowering speed laden/unladen | m/s | 0.1 / 0.05 |
|                  | - This data sheet according to VDI guideline 2198 only states the technical values of the standard truck. Different tyres, other masts, additional equipment etc. may result in different values. |                              |     |            |

|   |                |   |                 |                |                 |
|---|----------------|---|-----------------|----------------|-----------------|
| Characteristic  | 1.1            | Manufacturer (abbreviated description)  |                 | Jungheinrich   |                 |
|   | 1.2            | Manufacturer's type designation         |                 | <b>AM I20p</b> |                 |
|   | 1.3            | Drive                                   |                 | Manual         |                 |
|   | 1.4            | Operation                               |                 | Manual         |                 |
|   | 1.5            | Load capacity/load                      | Q               | kg             | 2000            |
|   | 1.6            | Load centre distance                    | c               | mm             | 570             |
|   | 1.9            | Wheelbase                               | y               | mm             | 1165            |
| Weights   | 2.1            | Service weight                          |                 | kg             | 69              |
| Wheels/suspension system  | 3.1            | Tyres                                   |                 |                | V-GV            |
|   | 3.2            | Tyre size, front                        |                 |                | Ø 200x50        |
|   | 3.3            | Tyre size, rear                         |                 |                | Ø 80x90         |
|   | 3.5            | Wheels, number front/back (x=driven)    |                 |                | 2/2             |
|   | 3.6            | Tread width, front                      | b <sub>10</sub> | mm             | 120             |
|   | 3.7            | Tread width, rear                       | b <sub>11</sub> | mm             | 360             |
| Basic dimensions  | 4.4            | Lift (h <sub>3</sub> )                  | h <sub>3</sub>  | mm             | 120             |
|   | 4.14           | Stand height, elevated                  | h <sub>12</sub> | mm             | 205             |
|   | 4.15           | Height, lowered                         | h <sub>13</sub> | mm             | 85              |
|   | 4.19           | Overall length                          | l <sub>1</sub>  | mm             | 1475            |
|   | 4.21.1         | Overall width                           | b <sub>1</sub>  | mm             | 520             |
|   | 4.22           | Fork dimensions                         | s/e/l           | mm             | 51 x 160 x 1140 |
|   | 4.25           | Width across forks                      | b <sub>5</sub>  | mm             | 520             |
|   | 4.32           | Ground clearance centre of wheelbase    | m <sub>2</sub>  | mm             | 34              |
|   | 4.34.1         | Aisle width (pallet 1000x1200 sideways) | A <sub>st</sub> | mm             | 1610            |
|   | 4.34.2         | Aisle width (pallet 800x1200 length)    | A <sub>st</sub> | mm             | 1810            |
| 4.35  | Turning radius | W <sub>a</sub>                          | mm              | 1330           |                 |
| Performance data  | 5.3            | Lowering speed laden/unladen            |                 | m/s            | 0.1 / 0.05      |
| - This data sheet according to VDI guideline 2198 only states the technical values of the standard truck. Different tyres, other masts, additional equipment etc. may result in different values. |                |   |                 |                |                 |

|   |        |   |                 |                |                 |
|---|--------|---|-----------------|----------------|-----------------|
| Characteristic  | 1.1    | Manufacturer (abbreviated description)              |                 | Jungheinrich   |                 |
|   | 1.2    | Manufacturer's type designation                     |                 | <b>AM I20p</b> |                 |
|   | 1.3    | Drive   |                 | Manual         |                 |
|   | 1.4    | Operation   |                 | Manual         |                 |
|   | 1.5    | Load capacity/load                                  | Q               | kg             | 2000            |
|   | 1.6    | Load centre distance                                | c               | mm             | 570             |
|   | 1.9    | Wheelbase   | y               | mm             | 1165            |
| Weights   | 2.1    | Service weight                                      |                 | kg             | 69              |
|   | 2.2    | Axle load laden front/rear                          |                 | kg             | 636 / 1432      |
|   | 2.3    | Axle load unladen front/rear                        |                 | kg             | 21 / 47         |
| Wheels/suspension system  | 3.1    | Tyres   |                 |                | N-GN            |
|   | 3.2    | Tyre size, front                                    |                 |                | Ø 200x50        |
|   | 3.3    | Tyre size, rear                                     |                 |                | Ø 80x90         |
|   | 3.5    | Wheels, number front/back (x=driven)                |                 |                | 2/2             |
|   | 3.6    | Tread width, front                                  | b <sub>10</sub> | mm             | 120             |
|   | 3.7    | Tread width, rear                                   | b <sub>11</sub> | mm             | 360             |
| Basic dimensions  | 4.4    | Lift (h <sub>3</sub> )                              | h <sub>3</sub>  | mm             | 120             |
|   | 4.9    | Height of tiller handle in drive position min./max. |                 | mm             | 1220 / 1170     |
|   | 4.14   | Stand height, elevated                              | h <sub>12</sub> | mm             | 205             |
|   | 4.15   | Height, lowered                                     | h <sub>13</sub> | mm             | 85              |
|   | 4.19   | Overall length                                      | l <sub>1</sub>  | mm             | 1475            |
|   | 4.20   | Length including fork shank                         | l <sub>2</sub>  | mm             | 340             |
|   | 4.21.1 | Overall width                                       | b <sub>1</sub>  | mm             | 520             |
|   | 4.22   | Fork dimensions                                     | s/e/l           | mm             | 51 x 160 x 1140 |
|   | 4.25   | Width across forks                                  | b <sub>5</sub>  | mm             | 520             |
|   | 4.32   | Ground clearance centre of wheelbase                | m <sub>2</sub>  | mm             | 34              |
|   | 4.34.1 | Aisle width (pallet 1000x1200 sideways)             | Ast             | mm             | 1610            |
|   | 4.34.2 | Aisle width (pallet 800x1200 length)                | Ast             | mm             | 1810            |
|   | 4.35   | Turning radius                                      | W <sub>a</sub>  | mm             | 1330            |
| Performance data  | 5.3    | Lowering speed laden/unladen                        |                 | m/s            | 0.1 / 0.05      |
| - This data sheet according to VDI guideline 2198 only states the technical values of the standard truck. Different tyres, other masts, additional equipment etc. may result in different values. |        |   |                 |                |                 |

|                |     |  |   |                |      |
|----------------|-----|--|---|----------------|------|
| Characteristic | 1.1 | Manufacturer (abbreviated description) |   | Jungheinrich   |      |
|                | 1.2 | Manufacturer's type designation        |   | <b>AM I20p</b> |      |
|                | 1.3 | Drive                                  |   | Manual         |      |
|                | 1.4 | Operation                              |   | Manual         |      |
|                | 1.5 | Load capacity/load                     | Q | kg             | 2000 |
|                | 1.6 | Load centre distance                   | c | mm             | 485  |
|                | 1.9 | Wheelbase                              | y | mm             | 995  |

|   |        |   |                 |     |                |
|---|--------|---|-----------------|-----|----------------|
| Weights   | 2.1    | Service weight                          |                 | kg  | 66             |
|   | 2.1.1  | Service weight (incl. battery)          |                 | kg  | 66             |
| Wheels/suspension system  | 3.1    | Tyres                                   |                 |     | V-BV           |
|   | 3.2    | Tyre size, front                        |                 |     | Ø 200x50       |
|   | 3.3    | Tyre size, rear                         |                 |     | Ø 80x70        |
|   | 3.5    | Wheels, number front/back (x=driven)    |                 |     | 2/2            |
|   | 3.6    | Tread width, front                      | b <sub>10</sub> | mm  | 120            |
|   | 3.7    | Tread width, rear                       | b <sub>11</sub> | mm  | 360            |
| Basic dimensions  | 4.4    | Lift (h <sub>3</sub> )                  | h <sub>3</sub>  | mm  | 120            |
|   | 4.14   | Stand height, elevated                  | h <sub>12</sub> | mm  | 205            |
|   | 4.15   | Height, lowered                         | h <sub>13</sub> | mm  | 85             |
|   | 4.19   | Overall length                          | l <sub>1</sub>  | mm  | 1305           |
|   | 4.21.1 | Overall width                           | b <sub>1</sub>  | mm  | 520            |
|   | 4.22   | Fork dimensions                         | s/e/l           | mm  | 51 x 160 x 970 |
|   | 4.25   | Width across forks                      | b <sub>5</sub>  | mm  | 520            |
|   | 4.32   | Ground clearance centre of wheelbase    | m <sub>2</sub>  | mm  | 34             |
|   | 4.34.1 | Aisle width (pallet 1000x1200 sideways) | A <sub>st</sub> | mm  | 1610           |
|   | 4.34.2 | Aisle width (pallet 800x1200 length)    | A <sub>st</sub> | mm  | 1810           |
|   | 4.35   | Turning radius                          | W <sub>a</sub>  | mm  | 1160           |
| Performance data  | 5.3    | Lowering speed laden/unladen            |                 | m/s | 0.1 / 0.05     |
| - This data sheet according to VDI guideline 2198 only states the technical values of the standard truck. Different tyres, other masts, additional equipment etc. may result in different values. |        |   |                 |     |                |

|                          |       |  |                 |    |                |
|--------------------------|-------|--|-----------------|----|----------------|
| Characteristic           | 1.1   | Manufacturer (abbreviated description) |                 |    | Jungheinrich   |
|                          | 1.2   | Manufacturer's type designation        |                 |    | <b>AM I20p</b> |
|                          | 1.3   | Drive                                  |                 |    | Manual         |
|                          | 1.4   | Operation                              |                 |    | Manual         |
|                          | 1.5   | Load capacity/load                     | Q               | kg | 2000           |
|                          | 1.6   | Load centre distance                   | c               | mm | 485            |
|                          | 1.9   | Wheelbase                              | y               | mm | 995            |
| Weights                  | 2.1   | Service weight                         |                 | kg | 66             |
|                          | 2.1.1 | Service weight (incl. battery)         |                 | kg | 66             |
| Wheels/suspension system | 3.1   | Tyres                                  |                 |    | N-BN           |
|                          | 3.2   | Tyre size, front                       |                 |    | Ø 200x50       |
|                          | 3.3   | Tyre size, rear                        |                 |    | Ø 80x65        |
|                          | 3.5   | Wheels, number front/back (x=driven)   |                 |    | 2/2            |
|                          | 3.6   | Tread width, front                     | b <sub>10</sub> | mm | 120            |
|                          | 3.7   | Tread width, rear                      | b <sub>11</sub> | mm | 360            |



|   |                |   |                 |      |                |
|---|----------------|---|-----------------|------|----------------|
| Basic dimensions  | 4.4            | Lift (h <sub>3</sub> )                  | h <sub>3</sub>  | mm   | 120            |
|   | 4.14           | Stand height, elevated                  | h <sub>12</sub> | mm   | 205            |
|   | 4.15           | Height, lowered                         | h <sub>13</sub> | mm   | 85             |
|   | 4.19           | Overall length                          | l <sub>1</sub>  | mm   | 1305           |
|   | 4.21.1         | Overall width                           | b <sub>1</sub>  | mm   | 520            |
|   | 4.22           | Fork dimensions                         | s/e/l           | mm   | 51 x 160 x 970 |
|   | 4.25           | Width across forks                      | b <sub>5</sub>  | mm   | 520            |
|   | 4.32           | Ground clearance centre of wheelbase    | m <sub>2</sub>  | mm   | 34             |
|   | 4.34.1         | Aisle width (pallet 1000x1200 sideways) | Ast             | mm   | 1610           |
|   | 4.34.2         | Aisle width (pallet 800x1200 length)    | Ast             | mm   | 1810           |
| 4.35  | Turning radius | W <sub>a</sub>                          | mm              | 1160 |                |
| Performance data  | 5.3            | Lowering speed laden/unladen            |                 | m/s  | 0.1 / 0.05     |
| - This data sheet according to VDI guideline 2198 only states the technical values of the standard truck. Different tyres, other masts, additional equipment etc. may result in different values. |                |   |                 |      |                |

|                          |                |   |                 |      |                |
|--------------------------|----------------|---|-----------------|------|----------------|
| Characteristic           | 1.1            | Manufacturer (abbreviated description)  |                 |      | Jungheinrich   |
|                          | 1.2            | Manufacturer's type designation         |                 |      | <b>AM I20p</b> |
|                          | 1.3            | Drive                                   |                 |      | Manual         |
|                          | 1.4            | Operation                               |                 |      | Manual         |
|                          | 1.5            | Load capacity/load                      | Q               | kg   | 2000           |
|                          | 1.6            | Load centre distance                    | c               | mm   | 485            |
|                          | 1.9            | Wheelbase                               | y               | mm   | 995            |
| Weights                  | 2.1            | Service weight                          |                 | kg   | 63             |
|                          | 2.1.1          | Service weight (incl. battery)          |                 | kg   | 63             |
| Wheels/suspension system | 3.1            | Tyres                                   |                 |      | V-GV           |
|                          | 3.2            | Tyre size, front                        |                 |      | Ø 200x50       |
|                          | 3.3            | Tyre size, rear                         |                 |      | Ø 80x90        |
|                          | 3.5            | Wheels, number front/back (x=driven)    |                 |      | 2/2            |
|                          | 3.6            | Tread width, front                      | b <sub>10</sub> | mm   | 120            |
|                          | 3.7            | Tread width, rear                       | b <sub>11</sub> | mm   | 360            |
| Basic dimensions         | 4.4            | Lift (h <sub>3</sub> )                  | h <sub>3</sub>  | mm   | 120            |
|                          | 4.14           | Stand height, elevated                  | h <sub>12</sub> | mm   | 205            |
|                          | 4.15           | Height, lowered                         | h <sub>13</sub> | mm   | 85             |
|                          | 4.19           | Overall length                          | l <sub>1</sub>  | mm   | 1305           |
|                          | 4.21.1         | Overall width                           | b <sub>1</sub>  | mm   | 520            |
|                          | 4.22           | Fork dimensions                         | s/e/l           | mm   | 51 x 160 x 970 |
|                          | 4.25           | Width across forks                      | b <sub>5</sub>  | mm   | 520            |
|                          | 4.32           | Ground clearance centre of wheelbase    | m <sub>2</sub>  | mm   | 34             |
|                          | 4.34.1         | Aisle width (pallet 1000x1200 sideways) | Ast             | mm   | 1610           |
|                          | 4.34.2         | Aisle width (pallet 800x1200 length)    | Ast             | mm   | 1810           |
| 4.35                     | Turning radius | W <sub>a</sub>                          | mm              | 1160 |                |

|                  |   |                              |     |            |
|------------------|---|------------------------------|-----|------------|
| Performance data | 5.3   | Lowering speed laden/unladen | m/s | 0.1 / 0.05 |
|                  | - This data sheet according to VDI guideline 2198 only states the technical values of the standard truck. Different tyres, other masts, additional equipment etc. may result in different values. |                              |     |            |

|                          |   |   |                 |                |                |
|--------------------------|---|---|-----------------|----------------|----------------|
| Characteristic           | 1.1   | Manufacturer (abbreviated description)  |                 | Jungheinrich   |                |
|                          | 1.2   | Manufacturer's type designation         |                 | <b>AM I20p</b> |                |
|                          | 1.3   | Drive                                   |                 | Manual         |                |
|                          | 1.4   | Operation                               |                 | Manual         |                |
|                          | 1.5   | Load capacity/load                      | Q               | kg             | 2000           |
|                          | 1.6   | Load centre distance                    | c               | mm             | 485            |
|                          | 1.9   | Wheelbase                               | y               | mm             | 995            |
| Weights                  | 2.1   | Service weight                          |                 | kg             | 63             |
|                          | 2.1.1   | Service weight (incl. battery)          |                 | kg             | 63             |
| Wheels/suspension system | 3.1   | Tyres                                   |                 |                | N-GN           |
|                          | 3.2   | Tyre size, front                        |                 |                | Ø 200x50       |
|                          | 3.3   | Tyre size, rear                         |                 |                | Ø 80x90        |
|                          | 3.5   | Wheels, number front/back (x=driven)    |                 |                | 2/2            |
|                          | 3.6   | Tread width, front                      | b <sub>10</sub> | mm             | 120            |
|                          | 3.7   | Tread width, rear                       | b <sub>11</sub> | mm             | 360            |
| Basic dimensions         | 4.4   | Lift (h <sub>3</sub> )                  | h <sub>3</sub>  | mm             | 120            |
|                          | 4.14  | Stand height, elevated                  | h <sub>12</sub> | mm             | 205            |
|                          | 4.15  | Height, lowered                         | h <sub>15</sub> | mm             | 85             |
|                          | 4.19  | Overall length                          | l <sub>1</sub>  | mm             | 1305           |
|                          | 4.21.1  | Overall width                           | b <sub>1</sub>  | mm             | 520            |
|                          | 4.22  | Fork dimensions                         | s/e/l           | mm             | 51 x 160 x 970 |
|                          | 4.25  | Width across forks                      | b <sub>5</sub>  | mm             | 520            |
|                          | 4.32  | Ground clearance centre of wheelbase    | m <sub>2</sub>  | mm             | 34             |
|                          | 4.34.1  | Aisle width (pallet 1000x1200 sideways) | A <sub>st</sub> | mm             | 1610           |
|                          | 4.34.2  | Aisle width (pallet 800x1200 length)    | A <sub>st</sub> | mm             | 1810           |
| 4.35                     | Turning radius  | W <sub>a</sub>                          | mm              | 1160           |                |
| Performance data         | 5.3   | Lowering speed laden/unladen            | m/s             | 0.1 / 0.05     |                |
|                          | - This data sheet according to VDI guideline 2198 only states the technical values of the standard truck. Different tyres, other masts, additional equipment etc. may result in different values. |   |                 |                |                |

|                          |        |   |                 |                |                |
|--------------------------|--------|---|-----------------|----------------|----------------|
| Characteristic           | 1.1    | Manufacturer (abbreviated description)  |                 | Jungheinrich   |                |
|                          | 1.2    | Manufacturer's type designation         |                 | <b>AM I20p</b> |                |
|                          | 1.3    | Drive                                   |                 | Manual         |                |
|                          | 1.4    | Operation                               |                 | Manual         |                |
|                          | 1.5    | Load capacity/load                      | Q               | kg             | 2000           |
|                          | 1.6    | Load centre distance                    | c               | mm             | 405            |
|                          | 1.9    | Wheelbase                               | y               | mm             | 835            |
| Weights                  | 2.1    | Service weight                          |                 | kg             | 63             |
| Wheels/suspension system | 3.1    | Tyres                                   |                 |                | V-BV           |
|                          | 3.2    | Tyre size, front                        |                 |                | Ø 200x50       |
|                          | 3.3    | Tyre size, rear                         |                 |                | Ø 80x70        |
|                          | 3.5    | Wheels, number front/back (x=driven)    |                 |                | 2/2            |
|                          | 3.6    | Tread width, front                      | b <sub>10</sub> | mm             | 120            |
|                          | 3.7    | Tread width, rear                       | b <sub>11</sub> | mm             | 335            |
| Basic dimensions         | 4.4    | Lift (h <sub>3</sub> )                  | h <sub>3</sub>  | mm             | 120            |
|                          | 4.14   | Stand height, elevated                  | h <sub>12</sub> | mm             | 205            |
|                          | 4.15   | Height, lowered                         | h <sub>13</sub> | mm             | 85             |
|                          | 4.19   | Overall length                          | l <sub>1</sub>  | mm             | 1145           |
|                          | 4.21.1 | Overall width                           | b <sub>1</sub>  | mm             | 520            |
|                          | 4.22   | Fork dimensions                         | s/e/l           | mm             | 51 x 160 x 810 |
|                          | 4.25   | Width across forks                      | b <sub>5</sub>  | mm             | 520            |
|                          | 4.32   | Ground clearance centre of wheelbase    | m <sub>2</sub>  | mm             | 34             |
|                          | 4.34.1 | Aisle width (pallet 1000x1200 sideways) | A <sub>st</sub> | mm             | 1610           |
|                          | 4.34.2 | Aisle width (pallet 800x1200 length)    | A <sub>st</sub> | mm             | 1810           |
|                          | 4.35   | Turning radius                          | W <sub>a</sub>  | mm             | 1000           |
| Performance data         | 5.3    | Lowering speed laden/unladen            |                 | m/s            | 0.1 / 0.05     |

- This data sheet according to VDI guideline 2198 only states the technical values of the standard truck. Different tyres, other masts, additional equipment etc. may result in different values.

|                |     |  |   |                |      |
|----------------|-----|--|---|----------------|------|
| Characteristic | 1.1 | Manufacturer (abbreviated description) |   | Jungheinrich   |      |
|                | 1.2 | Manufacturer's type designation        |   | <b>AM I20p</b> |      |
|                | 1.3 | Drive                                  |   | Manual         |      |
|                | 1.4 | Operation                              |   | Manual         |      |
|                | 1.5 | Load capacity/load                     | Q | kg             | 2000 |
|                | 1.6 | Load centre distance                   | c | mm             | 405  |
|                | 1.9 | Wheelbase                              | y | mm             | 835  |
| Weights        | 2.1 | Service weight                         |   | kg             | 63   |

|   |                  |   |                        |                |                |
|---|------------------|---|------------------------|----------------|----------------|
| Wheels/suspension system  | 3.1              | Tyres                                   |                        | N-BN           |                |
|   | 3.2              | Tyre size, front                        |                        | Ø 200x50       |                |
|   | 3.3              | Tyre size, rear                         |                        | Ø 80x65        |                |
|   | 3.5              | Wheels, number front/back (x=driven)    |                        | 2/2            |                |
|   | 3.6              | Tread width, front                      | b <sub>10</sub>        | mm             | 120            |
|   | 3.7              | Tread width, rear                       | b <sub>11</sub>        | mm             | 335            |
|   | Basic dimensions | 4.4                                     | Lift (h <sub>3</sub> ) | h <sub>3</sub> | mm             |
| 4.14  |                  | Stand height, elevated                  | h <sub>12</sub>        | mm             | 205            |
| 4.15  |                  | Height, lowered                         | h <sub>13</sub>        | mm             | 85             |
| 4.19  |                  | Overall length                          | l <sub>1</sub>         | mm             | 1145           |
| 4.21.1  |                  | Overall width                           | b <sub>1</sub>         | mm             | 520            |
| 4.22  |                  | Fork dimensions                         | s/e/l                  | mm             | 51 x 160 x 810 |
| 4.25  |                  | Width across forks                      | b <sub>5</sub>         | mm             | 520            |
| 4.32  |                  | Ground clearance centre of wheelbase    | m <sub>2</sub>         | mm             | 34             |
| 4.34.1  |                  | Aisle width (pallet 1000x1200 sideways) | A <sub>st</sub>        | mm             | 1610           |
| 4.34.2  |                  | Aisle width (pallet 800x1200 length)    | A <sub>st</sub>        | mm             | 1810           |
| 4.35  |                  | Turning radius                          | W <sub>a</sub>         | mm             | 1000           |
| Performance data  | 5.3              | Lowering speed laden/unladen            |                        | m/s            | 0.1 / 0.05     |
| - This data sheet according to VDI guideline 2198 only states the technical values of the standard truck. Different tyres, other masts, additional equipment etc. may result in different values. |                  |   |                        |                |                |

|                          |                  |  |                        |                |      |
|--------------------------|------------------|--|------------------------|----------------|------|
| Characteristic           | 1.1              | Manufacturer (abbreviated description) |                        | Jungheinrich   |      |
|                          | 1.2              | Manufacturer's type designation        |                        | <b>AM I20p</b> |      |
|                          | 1.3              | Drive                                  |                        | Manual         |      |
|                          | 1.4              | Operation                              |                        | Manual         |      |
|                          | 1.5              | Load capacity/load                     | Q                      | kg             | 2000 |
|                          | 1.6              | Load centre distance                   | c                      | mm             | 405  |
|                          | 1.9              | Wheelbase                              | y                      | mm             | 835  |
| Weights                  | 2.1              | Service weight                         |                        | kg             | 59   |
| Wheels/suspension system | 3.1              | Tyres                                  |                        | V-GV           |      |
|                          | 3.2              | Tyre size, front                       |                        | Ø 200x50       |      |
|                          | 3.3              | Tyre size, rear                        |                        | Ø 80x90        |      |
|                          | 3.5              | Wheels, number front/back (x=driven)   |                        | 2/2            |      |
|                          | 3.6              | Tread width, front                     | b <sub>10</sub>        | mm             | 120  |
|                          | 3.7              | Tread width, rear                      | b <sub>11</sub>        | mm             | 335  |
|                          | Basic dimensions | 4.4                                    | Lift (h <sub>3</sub> ) | h <sub>3</sub> | mm   |
| 4.14                     |                  | Stand height, elevated                 | h <sub>12</sub>        | mm             | 205  |
| 4.15                     |                  | Height, lowered                        | h <sub>13</sub>        | mm             | 85   |
| 4.19                     |                  | Overall length                         | l <sub>1</sub>         | mm             | 1145 |
| 4.21.1                   |                  | Overall width                          | b <sub>1</sub>         | mm             | 520  |

|  |                  |   |                              |    |                |
|--|------------------|---|------------------------------|----|----------------|
|  | 4.22             | Fork dimensions                         | s/e/l                        | mm | 51 x 160 x 810 |
|  | 4.25             | Width across forks                      | b <sub>5</sub>               | mm | 520            |
|  | 4.32             | Ground clearance centre of wheelbase    | m <sub>2</sub>               | mm | 34             |
|  | 4.34.1           | Aisle width (pallet 1000x1200 sideways) | A <sub>st</sub>              | mm | 1610           |
|  | 4.34.2           | Aisle width (pallet 800x1200 length)    | A <sub>st</sub>              | mm | 1810           |
|  | 4.35             | Turning radius                          | W <sub>a</sub>               | mm | 1000           |
|  | Performance data | 5.3                                     | Lowering speed laden/unladen |    | m/s            |

- This data sheet according to VDI guideline 2198 only states the technical values of the standard truck. Different tyres, other masts, additional equipment etc. may result in different values.

|                          |                |   |                 |      |                |
|--------------------------|----------------|---|-----------------|------|----------------|
| Characteristic           | 1.1            | Manufacturer (abbreviated description)  |                 |      | Jungheinrich   |
|                          | 1.2            | Manufacturer's type designation         |                 |      | <b>AM I20p</b> |
|                          | 1.3            | Drive                                   |                 |      | Manual         |
|                          | 1.4            | Operation                               |                 |      | Manual         |
|                          | 1.5            | Load capacity/load                      | Q               | kg   | 2000           |
|                          | 1.6            | Load centre distance                    | c               | mm   | 405            |
|                          | 1.9            | Wheelbase                               | y               | mm   | 835            |
| Weights                  | 2.1            | Service weight                          |                 | kg   | 59             |
| Wheels/suspension system | 3.1            | Tyres                                   |                 |      | N-GN           |
|                          | 3.2            | Tyre size, front                        |                 |      | Ø 200x50       |
|                          | 3.3            | Tyre size, rear                         |                 |      | Ø 80x90        |
|                          | 3.5            | Wheels, number front/back (x=driven)    |                 |      | 2/2            |
|                          | 3.6            | Tread width, front                      | b <sub>10</sub> | mm   | 120            |
|                          | 3.7            | Tread width, rear                       | b <sub>11</sub> | mm   | 360            |
| Basic dimensions         | 4.4            | Lift (h <sub>3</sub> )                  | h <sub>3</sub>  | mm   | 120            |
|                          | 4.14           | Stand height, elevated                  | h <sub>12</sub> | mm   | 205            |
|                          | 4.15           | Height, lowered                         | h <sub>13</sub> | mm   | 85             |
|                          | 4.19           | Overall length                          | l <sub>1</sub>  | mm   | 1145           |
|                          | 4.21.1         | Overall width                           | b <sub>1</sub>  | mm   | 520            |
|                          | 4.22           | Fork dimensions                         | s/e/l           | mm   | 51 x 160 x 810 |
|                          | 4.25           | Width across forks                      | b <sub>5</sub>  | mm   | 520            |
|                          | 4.32           | Ground clearance centre of wheelbase    | m <sub>2</sub>  | mm   | 34             |
|                          | 4.34.1         | Aisle width (pallet 1000x1200 sideways) | A <sub>st</sub> | mm   | 1610           |
|                          | 4.34.2         | Aisle width (pallet 800x1200 length)    | A <sub>st</sub> | mm   | 1810           |
| 4.35                     | Turning radius | W <sub>a</sub>                          | mm              | 1000 |                |
| Performance data         | 5.3            | Lowering speed laden/unladen            |                 | m/s  | 0.1 / 0.05     |

- This data sheet according to VDI guideline 2198 only states the technical values of the standard truck. Different tyres, other masts, additional equipment etc. may result in different values.

|                          |        |   |                 |               |                |
|--------------------------|--------|---|-----------------|---------------|----------------|
| Characteristic           | 1.1    | Manufacturer (abbreviated description)  |                 | Jungheinrich  |                |
|                          | 1.2    | Manufacturer's type designation         |                 | <b>AM I20</b> |                |
|                          | 1.3    | Drive                                   |                 | Manual        |                |
|                          | 1.4    | Operation                               |                 | Manual        |                |
|                          | 1.5    | Load capacity/load                      | Q               | kg            | 2000           |
|                          | 1.6    | Load centre distance                    | c               | mm            | 405            |
|                          | 1.9    | Wheelbase                               | y               | mm            | 835            |
| Weights                  | 2.1    | Service weight                          |                 | kg            | 59             |
|                          | 2.1.1  | Service weight (incl. battery)          |                 | kg            | 59             |
| Wheels/suspension system | 3.1    | Tyres                                   |                 |               | N-GN           |
|                          | 3.2    | Tyre size, front                        |                 |               | Ø 200x50       |
|                          | 3.3    | Tyre size, rear                         |                 |               | Ø 80x90        |
|                          | 3.5    | Wheels, number front/back (x=driven)    |                 |               | 2/2            |
|                          | 3.6    | Tread width, front                      | b <sub>10</sub> | mm            | 120            |
|                          | 3.7    | Tread width, rear                       | b <sub>11</sub> | mm            | 360            |
| Basic dimensions         | 4.4    | Lift (h <sub>3</sub> )                  | h <sub>3</sub>  | mm            | 120            |
|                          | 4.14   | Stand height, elevated                  | h <sub>12</sub> | mm            | 200            |
|                          | 4.15   | Height, lowered                         | h <sub>13</sub> | mm            | 85             |
|                          | 4.19   | Overall length                          | l <sub>1</sub>  | mm            | 1145           |
|                          | 4.21.1 | Overall width                           | b <sub>1</sub>  | mm            | 520            |
|                          | 4.22   | Fork dimensions                         | s/e/l           | mm            | 51 x 160 x 810 |
|                          | 4.25   | Width across forks                      | b <sub>5</sub>  | mm            | 520            |
|                          | 4.32   | Ground clearance centre of wheelbase    | m <sub>2</sub>  | mm            | 34             |
|                          | 4.34.1 | Aisle width (pallet 1000x1200 sideways) | A <sub>st</sub> | mm            | 1610           |
|                          | 4.34.2 | Aisle width (pallet 800x1200 length)    | A <sub>st</sub> | mm            | 1810           |
|                          | 4.35   | Turning radius                          | W <sub>a</sub>  | mm            | 1000           |
| Performance data         | 5.3    | Lowering speed laden/unladen            |                 | m/s           | 0.1 / 0.05     |

- This data sheet according to VDI guideline 2198 only states the technical values of the standard truck. Different tyres, other masts, additional equipment etc. may result in different values.

|                |     |  |   |               |      |
|----------------|-----|--|---|---------------|------|
| Characteristic | 1.1 | Manufacturer (abbreviated description) |   | Jungheinrich  |      |
|                | 1.2 | Manufacturer's type designation        |   | <b>AM I20</b> |      |
|                | 1.3 | Drive                                  |   | Manual        |      |
|                | 1.4 | Operation                              |   | Manual        |      |
|                | 1.5 | Load capacity/load                     | Q | kg            | 2000 |
|                | 1.6 | Load centre distance                   | c | mm            | 405  |
|                | 1.9 | Wheelbase                              | y | mm            | 835  |

|   |        |   |                 |     |                |
|---|--------|---|-----------------|-----|----------------|
| Weights   | 2.1    | Service weight                          |                 | kg  | 59             |
|   | 2.1.1  | Service weight (incl. battery)          |                 | kg  | 59             |
| Wheels/suspension system  | 3.1    | Tyres                                   |                 |     | V-GV           |
|   | 3.2    | Tyre size, front                        |                 |     | Ø 200x50       |
|   | 3.3    | Tyre size, rear                         |                 |     | Ø 80x90        |
|   | 3.5    | Wheels, number front/back (x=driven)    |                 |     | 2/2            |
|   | 3.6    | Tread width, front                      | b <sub>10</sub> | mm  | 120            |
|   | 3.7    | Tread width, rear                       | b <sub>11</sub> | mm  | 360            |
| Basic dimensions  | 4.4    | Lift (h <sub>3</sub> )                  | h <sub>3</sub>  | mm  | 120            |
|   | 4.14   | Stand height, elevated                  | h <sub>12</sub> | mm  | 200            |
|   | 4.15   | Height, lowered                         | h <sub>13</sub> | mm  | 85             |
|   | 4.19   | Overall length                          | l <sub>1</sub>  | mm  | 1145           |
|   | 4.21.1 | Overall width                           | b <sub>1</sub>  | mm  | 520            |
|   | 4.22   | Fork dimensions                         | s/e/l           | mm  | 51 x 160 x 810 |
|   | 4.25   | Width across forks                      | b <sub>5</sub>  | mm  | 520            |
|   | 4.32   | Ground clearance centre of wheelbase    | m <sub>2</sub>  | mm  | 38             |
|   | 4.34.1 | Aisle width (pallet 1000x1200 sideways) | A <sub>st</sub> | mm  | 1610           |
|   | 4.34.2 | Aisle width (pallet 800x1200 length)    | A <sub>st</sub> | mm  | 1810           |
|   | 4.35   | Turning radius                          | W <sub>a</sub>  | mm  | 1000           |
| Performance data  | 5.3    | Lowering speed laden/unladen            |                 | m/s | 0.1 / 0.05     |
| - This data sheet according to VDI guideline 2198 only states the technical values of the standard truck. Different tyres, other masts, additional equipment etc. may result in different values. |        |   |                 |     |                |

|                          |       |  |                 |    |               |
|--------------------------|-------|--|-----------------|----|---------------|
| Characteristic           | 1.1   | Manufacturer (abbreviated description) |                 |    | Jungheinrich  |
|                          | 1.2   | Manufacturer's type designation        |                 |    | <b>AM I20</b> |
|                          | 1.3   | Drive                                  |                 |    | Manual        |
|                          | 1.4   | Operation                              |                 |    | Manual        |
|                          | 1.5   | Load capacity/load                     | Q               | kg | 2000          |
|                          | 1.6   | Load centre distance                   | c               | mm | 405           |
|                          | 1.9   | Wheelbase                              | y               | mm | 835           |
| Weights                  | 2.1   | Service weight                         |                 | kg | 63            |
|                          | 2.1.1 | Service weight (incl. battery)         |                 | kg | 63            |
| Wheels/suspension system | 3.1   | Tyres                                  |                 |    | N-BN          |
|                          | 3.2   | Tyre size, front                       |                 |    | Ø 200x50      |
|                          | 3.3   | Tyre size, rear                        |                 |    | Ø 80x65       |
|                          | 3.5   | Wheels, number front/back (x=driven)   |                 |    | 2/2           |
|                          | 3.6   | Tread width, front                     | b <sub>10</sub> | mm | 120           |
|                          | 3.7   | Tread width, rear                      | b <sub>11</sub> | mm | 360           |

|   |                |   |                 |      |                |
|---|----------------|---|-----------------|------|----------------|
| Basic dimensions  | 4.4            | Lift (h <sub>3</sub> )                  | h <sub>3</sub>  | mm   | 120            |
|   | 4.14           | Stand height, elevated                  | h <sub>12</sub> | mm   | 200            |
|   | 4.15           | Height, lowered                         | h <sub>13</sub> | mm   | 85             |
|   | 4.19           | Overall length                          | l <sub>1</sub>  | mm   | 1145           |
|   | 4.21.1         | Overall width                           | b <sub>1</sub>  | mm   | 520            |
|   | 4.22           | Fork dimensions                         | s/e/l           | mm   | 51 x 160 x 810 |
|   | 4.25           | Width across forks                      | b <sub>5</sub>  | mm   | 520            |
|   | 4.32           | Ground clearance centre of wheelbase    | m <sub>2</sub>  | mm   | 38             |
|   | 4.34.1         | Aisle width (pallet 1000x1200 sideways) | Ast             | mm   | 1610           |
|   | 4.34.2         | Aisle width (pallet 800x1200 length)    | Ast             | mm   | 1810           |
| 4.35  | Turning radius | W <sub>a</sub>                          | mm              | 1000 |                |
| Performance data  | 5.3            | Lowering speed laden/unladen            |                 | m/s  | 0.1 / 0.05     |
| - This data sheet according to VDI guideline 2198 only states the technical values of the standard truck. Different tyres, other masts, additional equipment etc. may result in different values. |                |   |                 |      |                |

|                          |                |   |                 |      |                |
|--------------------------|----------------|---|-----------------|------|----------------|
| Characteristic           | 1.1            | Manufacturer (abbreviated description)  |                 |      | Jungheinrich   |
|                          | 1.2            | Manufacturer's type designation         |                 |      | <b>AM I20</b>  |
|                          | 1.3            | Drive                                   |                 |      | Manual         |
|                          | 1.4            | Operation                               |                 |      | Manual         |
|                          | 1.5            | Load capacity/load                      | Q               | kg   | 2000           |
|                          | 1.6            | Load centre distance                    | c               | mm   | 405            |
|                          | 1.9            | Wheelbase                               | y               | mm   | 835            |
| Weights                  | 2.1            | Service weight                          |                 | kg   | 63             |
|                          | 2.1.1          | Service weight (incl. battery)          |                 | kg   | 63             |
| Wheels/suspension system | 3.1            | Tyres                                   |                 |      | V-BV           |
|                          | 3.2            | Tyre size, front                        |                 |      | Ø 200x50       |
|                          | 3.3            | Tyre size, rear                         |                 |      | Ø 80x70        |
|                          | 3.5            | Wheels, number front/back (x=driven)    |                 |      | 2/2            |
|                          | 3.6            | Tread width, front                      | b <sub>10</sub> | mm   | 120            |
|                          | 3.7            | Tread width, rear                       | b <sub>11</sub> | mm   | 360            |
| Basic dimensions         | 4.4            | Lift (h <sub>3</sub> )                  | h <sub>3</sub>  | mm   | 120            |
|                          | 4.14           | Stand height, elevated                  | h <sub>12</sub> | mm   | 200            |
|                          | 4.15           | Height, lowered                         | h <sub>13</sub> | mm   | 85             |
|                          | 4.19           | Overall length                          | l <sub>1</sub>  | mm   | 1145           |
|                          | 4.21.1         | Overall width                           | b <sub>1</sub>  | mm   | 520            |
|                          | 4.22           | Fork dimensions                         | s/e/l           | mm   | 51 x 160 x 810 |
|                          | 4.25           | Width across forks                      | b <sub>5</sub>  | mm   | 520            |
|                          | 4.32           | Ground clearance centre of wheelbase    | m <sub>2</sub>  | mm   | 38             |
|                          | 4.34.1         | Aisle width (pallet 1000x1200 sideways) | Ast             | mm   | 1610           |
|                          | 4.34.2         | Aisle width (pallet 800x1200 length)    | Ast             | mm   | 1810           |
| 4.35                     | Turning radius | W <sub>a</sub>                          | mm              | 1000 |                |



|                  |   |                              |     |            |
|------------------|---|------------------------------|-----|------------|
| Performance data | 5.3   | Lowering speed laden/unladen | m/s | 0.1 / 0.05 |
|                  | - This data sheet according to VDI guideline 2198 only states the technical values of the standard truck. Different tyres, other masts, additional equipment etc. may result in different values. |                              |     |            |

|                          |   |   |                 |               |                |
|--------------------------|---|---|-----------------|---------------|----------------|
| Characteristic           | 1.1   | Manufacturer (abbreviated description)  |                 | Jungheinrich  |                |
|                          | 1.2   | Manufacturer's type designation         |                 | <b>AM I20</b> |                |
|                          | 1.3   | Drive                                   |                 | Manual        |                |
|                          | 1.4   | Operation                               |                 | Manual        |                |
|                          | 1.5   | Load capacity/load                      | Q               | kg            | 2000           |
|                          | 1.6   | Load centre distance                    | c               | mm            | 485            |
|                          | 1.9   | Wheelbase                               | y               | mm            | 995            |
| Weights                  | 2.1   | Service weight                          |                 | kg            | 63             |
|                          | 2.1.1   | Service weight (incl. battery)          |                 | kg            | 63             |
| Wheels/suspension system | 3.1   | Tyres                                   |                 |               | N-GN           |
|                          | 3.2   | Tyre size, front                        |                 |               | Ø 200x50       |
|                          | 3.3   | Tyre size, rear                         |                 |               | Ø 80x90        |
|                          | 3.5   | Wheels, number front/back (x=driven)    |                 |               | 2/2            |
|                          | 3.6   | Tread width, front                      | b <sub>10</sub> | mm            | 120            |
|                          | 3.7   | Tread width, rear                       | b <sub>11</sub> | mm            | 360            |
| Basic dimensions         | 4.4   | Lift (h <sub>3</sub> )                  | h <sub>3</sub>  | mm            | 120            |
|                          | 4.14  | Stand height, elevated                  | h <sub>12</sub> | mm            | 200            |
|                          | 4.15  | Height, lowered                         | h <sub>15</sub> | mm            | 85             |
|                          | 4.19  | Overall length                          | l <sub>1</sub>  | mm            | 1305           |
|                          | 4.21.1  | Overall width                           | b <sub>1</sub>  | mm            | 520            |
|                          | 4.22  | Fork dimensions                         | s/e/l           | mm            | 51 x 160 x 970 |
|                          | 4.25  | Width across forks                      | b <sub>5</sub>  | mm            | 520            |
|                          | 4.32  | Ground clearance centre of wheelbase    | m <sub>2</sub>  | mm            | 38             |
|                          | 4.34.1  | Aisle width (pallet 1000x1200 sideways) | A <sub>st</sub> | mm            | 1610           |
|                          | 4.34.2  | Aisle width (pallet 800x1200 length)    | A <sub>st</sub> | mm            | 1810           |
| 4.35                     | Turning radius  | W <sub>a</sub>                          | mm              | 1160          |                |
| Performance data         | 5.3   | Lowering speed laden/unladen            | m/s             | 0.1 / 0.05    |                |
|                          | - This data sheet according to VDI guideline 2198 only states the technical values of the standard truck. Different tyres, other masts, additional equipment etc. may result in different values. |   |                 |               |                |

|                          |        |   |                 |               |                |
|--------------------------|--------|---|-----------------|---------------|----------------|
| Characteristic           | 1.1    | Manufacturer (abbreviated description)  |                 | Jungheinrich  |                |
|                          | 1.2    | Manufacturer's type designation         |                 | <b>AM I20</b> |                |
|                          | 1.3    | Drive                                   |                 | Manual        |                |
|                          | 1.4    | Operation                               |                 | Manual        |                |
|                          | 1.5    | Load capacity/load                      | Q               | kg            | 2000           |
|                          | 1.6    | Load centre distance                    | c               | mm            | 485            |
|                          | 1.9    | Wheelbase                               | y               | mm            | 995            |
| Weights                  | 2.1    | Service weight                          |                 | kg            | 63             |
|                          | 2.1.1  | Service weight (incl. battery)          |                 | kg            | 63             |
| Wheels/suspension system | 3.1    | Tyres                                   |                 |               | V-GV           |
|                          | 3.2    | Tyre size, front                        |                 |               | Ø 200x50       |
|                          | 3.3    | Tyre size, rear                         |                 |               | Ø 80x90        |
|                          | 3.5    | Wheels, number front/back (x=driven)    |                 |               | 2/2            |
|                          | 3.6    | Tread width, front                      | b <sub>10</sub> | mm            | 120            |
|                          | 3.7    | Tread width, rear                       | b <sub>11</sub> | mm            | 360            |
| Basic dimensions         | 4.4    | Lift (h <sub>3</sub> )                  | h <sub>3</sub>  | mm            | 120            |
|                          | 4.14   | Stand height, elevated                  | h <sub>12</sub> | mm            | 200            |
|                          | 4.15   | Height, lowered                         | h <sub>13</sub> | mm            | 85             |
|                          | 4.19   | Overall length                          | l <sub>1</sub>  | mm            | 1305           |
|                          | 4.21.1 | Overall width                           | b <sub>1</sub>  | mm            | 520            |
|                          | 4.22   | Fork dimensions                         | s/e/l           | mm            | 51 x 160 x 970 |
|                          | 4.25   | Width across forks                      | b <sub>5</sub>  | mm            | 520            |
|                          | 4.32   | Ground clearance centre of wheelbase    | m <sub>2</sub>  | mm            | 38             |
|                          | 4.34.1 | Aisle width (pallet 1000x1200 sideways) | A <sub>st</sub> | mm            | 1610           |
|                          | 4.34.2 | Aisle width (pallet 800x1200 length)    | A <sub>st</sub> | mm            | 1810           |
|                          | 4.35   | Turning radius                          | W <sub>a</sub>  | mm            | 1160           |
| Performance data         | 5.3    | Lowering speed laden/unladen            |                 | m/s           | 0.1 / 0.05     |

- This data sheet according to VDI guideline 2198 only states the technical values of the standard truck. Different tyres, other masts, additional equipment etc. may result in different values.

|                |       |  |   |               |      |
|----------------|-------|--|---|---------------|------|
| Characteristic | 1.1   | Manufacturer (abbreviated description) |   | Jungheinrich  |      |
|                | 1.2   | Manufacturer's type designation        |   | <b>AM I20</b> |      |
|                | 1.3   | Drive                                  |   | Manual        |      |
|                | 1.4   | Operation                              |   | Manual        |      |
|                | 1.5   | Load capacity/load                     | Q | kg            | 2000 |
|                | 1.6   | Load centre distance                   | c | mm            | 485  |
|                | 1.9   | Wheelbase                              | y | mm            | 995  |
| Weights        | 2.1   | Service weight                         |   | kg            | 66   |
|                | 2.1.1 | Service weight (incl. battery)         |   | kg            | 66   |

|   |                  |   |                        |                |                |
|---|------------------|---|------------------------|----------------|----------------|
| Wheels/suspension system  | 3.1              | Tyres                                   |                        |                | N-BN           |
|   | 3.2              | Tyre size, front                        |                        |                | Ø 200x50       |
|   | 3.3              | Tyre size, rear                         |                        |                | Ø 80x65        |
|   | 3.5              | Wheels, number front/back (x=driven)    |                        |                | 2/2            |
|   | 3.6              | Tread width, front                      | b <sub>10</sub>        | mm             | 120            |
|   | 3.7              | Tread width, rear                       | b <sub>11</sub>        | mm             | 360            |
|   | Basic dimensions | 4.4                                     | Lift (h <sub>3</sub> ) | h <sub>3</sub> | mm             |
| 4.14  |                  | Stand height, elevated                  | h <sub>12</sub>        | mm             | 200            |
| 4.15  |                  | Height, lowered                         | h <sub>13</sub>        | mm             | 85             |
| 4.19  |                  | Overall length                          | l <sub>1</sub>         | mm             | 1305           |
| 4.21.1  |                  | Overall width                           | b <sub>1</sub>         | mm             | 520            |
| 4.22  |                  | Fork dimensions                         | s/e/l                  | mm             | 51 x 160 x 970 |
| 4.25  |                  | Width across forks                      | b <sub>5</sub>         | mm             | 520            |
| 4.32  |                  | Ground clearance centre of wheelbase    | m <sub>2</sub>         | mm             | 38             |
| 4.34.1  |                  | Aisle width (pallet 1000x1200 sideways) | A <sub>st</sub>        | mm             | 1610           |
| 4.34.2  |                  | Aisle width (pallet 800x1200 length)    | A <sub>st</sub>        | mm             | 1810           |
| 4.35  |                  | Turning radius                          | W <sub>a</sub>         | mm             | 1160           |
| Performance data  | 5.3              | Lowering speed laden/unladen            |                        | m/s            | 0.1 / 0.05     |
| - This data sheet according to VDI guideline 2198 only states the technical values of the standard truck. Different tyres, other masts, additional equipment etc. may result in different values. |                  |   |                        |                |                |

|                          |                  |  |                        |                |               |
|--------------------------|------------------|--|------------------------|----------------|---------------|
| Characteristic           | 1.1              | Manufacturer (abbreviated description) |                        |                | Jungheinrich  |
|                          | 1.2              | Manufacturer's type designation        |                        |                | <b>AM I20</b> |
|                          | 1.3              | Drive                                  |                        |                | Manual        |
|                          | 1.4              | Operation                              |                        |                | Manual        |
|                          | 1.5              | Load capacity/load                     | Q                      | kg             | 2000          |
|                          | 1.6              | Load centre distance                   | c                      | mm             | 485           |
|                          | 1.9              | Wheelbase                              | y                      | mm             | 995           |
| Weights                  | 2.1              | Service weight                         |                        | kg             | 66            |
|                          | 2.1.1            | Service weight (incl. battery)         |                        | kg             | 66            |
| Wheels/suspension system | 3.1              | Tyres                                  |                        |                | V-BV          |
|                          | 3.2              | Tyre size, front                       |                        |                | Ø 200x50      |
|                          | 3.3              | Tyre size, rear                        |                        |                | Ø 80x70       |
|                          | 3.5              | Wheels, number front/back (x=driven)   |                        |                | 2/2           |
|                          | 3.6              | Tread width, front                     | b <sub>10</sub>        | mm             | 120           |
|                          | 3.7              | Tread width, rear                      | b <sub>11</sub>        | mm             | 360           |
|                          | Basic dimensions | 4.4                                    | Lift (h <sub>3</sub> ) | h <sub>3</sub> | mm            |
| 4.14                     |                  | Stand height, elevated                 | h <sub>12</sub>        | mm             | 200           |
| 4.15                     |                  | Height, lowered                        | h <sub>13</sub>        | mm             | 85            |
| 4.19                     |                  | Overall length                         | l <sub>1</sub>         | mm             | 1305          |
| 4.21.1                   |                  | Overall width                          | b <sub>1</sub>         | mm             | 520           |

|   |        |   |                |     |                |
|---|--------|---|----------------|-----|----------------|
|   | 4.22   | Fork dimensions                         | s/e/l          | mm  | 51 x 160 x 970 |
|   | 4.25   | Width across forks                      | b <sub>5</sub> | mm  | 520            |
|   | 4.32   | Ground clearance centre of wheelbase    | m <sub>2</sub> | mm  | 38             |
|   | 4.34.1 | Aisle width (pallet 1000x1200 sideways) | Ast            | mm  | 1610           |
|   | 4.34.2 | Aisle width (pallet 800x1200 length)    | Ast            | mm  | 1810           |
|   | 4.35   | Turning radius                          | W <sub>a</sub> | mm  | 1160           |
| Performance data  | 5.3    | Lowering speed laden/unladen            |                | m/s | 0.1 / 0.05     |
| - This data sheet according to VDI guideline 2198 only states the technical values of the standard truck. Different tyres, other masts, additional equipment etc. may result in different values. |        |   |                |     |                |

|                          |                |   |                 |      |                 |
|--------------------------|----------------|---|-----------------|------|-----------------|
| Characteristic           | 1.1            | Manufacturer (abbreviated description)  |                 |      | Jungheinrich    |
|                          | 1.2            | Manufacturer's type designation         |                 |      | <b>AM i20</b>   |
|                          | 1.3            | Drive                                   |                 |      | Manual          |
|                          | 1.4            | Operation                               |                 |      | Manual          |
|                          | 1.5            | Load capacity/load                      | Q               | kg   | 2000            |
|                          | 1.6            | Load centre distance                    | c               | mm   | 570             |
|                          | 1.9            | Wheelbase                               | y               | mm   | 1165            |
| Weights                  | 2.1            | Service weight                          |                 | kg   | 69              |
|                          | 2.1.1          | Service weight (incl. battery)          |                 | kg   | 69              |
|                          | 2.2            | Axle load laden front/rear              |                 | kg   | 636 / 1432      |
|                          | 2.3            | Axle load unladen front/rear            |                 | kg   | 21 / 47         |
| Wheels/suspension system | 3.1            | Tyres                                   |                 |      | N-GN            |
|                          | 3.2            | Tyre size, front                        |                 |      | Ø 200x50        |
|                          | 3.3            | Tyre size, rear                         |                 |      | Ø 80x90         |
|                          | 3.5            | Wheels, number front/back (x=driven)    |                 |      | 2/2             |
|                          | 3.6            | Tread width, front                      | b <sub>10</sub> | mm   | 120             |
|                          | 3.7            | Tread width, rear                       | b <sub>11</sub> | mm   | 360             |
| Basic dimensions         | 4.4            | Lift (h <sub>3</sub> )                  | h <sub>3</sub>  | mm   | 120             |
|                          | 4.14           | Stand height, elevated                  | h <sub>12</sub> | mm   | 200             |
|                          | 4.15           | Height, lowered                         | h <sub>13</sub> | mm   | 85              |
|                          | 4.19           | Overall length                          | l <sub>1</sub>  | mm   | 1475            |
|                          | 4.20           | Length including fork shank             | l <sub>2</sub>  | mm   | 340             |
|                          | 4.21.1         | Overall width                           | b <sub>1</sub>  | mm   | 520             |
|                          | 4.22           | Fork dimensions                         | s/e/l           | mm   | 51 x 160 x 1140 |
|                          | 4.25           | Width across forks                      | b <sub>5</sub>  | mm   | 520             |
|                          | 4.32           | Ground clearance centre of wheelbase    | m <sub>2</sub>  | mm   | 38              |
|                          | 4.34.1         | Aisle width (pallet 1000x1200 sideways) | Ast             | mm   | 1610            |
|                          | 4.34.2         | Aisle width (pallet 800x1200 length)    | Ast             | mm   | 1810            |
| 4.35                     | Turning radius | W <sub>a</sub>                          | mm              | 1330 |                 |
| Performance data         | 5.3            | Lowering speed laden/unladen            |                 | m/s  | 0.1 / 0.05      |

- This data sheet according to VDI guideline 2198 only states the technical values of the standard truck. Different tyres, other masts, additional equipment etc. may result in different values.

|                          |        |   |                 |               |                 |
|--------------------------|--------|---|-----------------|---------------|-----------------|
| Characteristic           | 1.1    | Manufacturer (abbreviated description)  |                 | Jungheinrich  |                 |
|                          | 1.2    | Manufacturer's type designation         |                 | <b>AM 120</b> |                 |
|                          | 1.3    | Drive                                   |                 | Manual        |                 |
|                          | 1.4    | Operation                               |                 | Manual        |                 |
|                          | 1.5    | Load capacity/load                      | Q               | kg            | 2000            |
|                          | 1.6    | Load centre distance                    | c               | mm            | 570             |
|                          | 1.9    | Wheelbase                               | y               | mm            | 1165            |
| Weights                  | 2.1    | Service weight                          |                 | kg            | 69              |
|                          | 2.1.1  | Service weight (incl. battery)          |                 | kg            | 69              |
| Wheels/suspension system | 3.1    | Tyres                                   |                 |               | V-GV            |
|                          | 3.2    | Tyre size, front                        |                 |               | Ø 200x50        |
|                          | 3.3    | Tyre size, rear                         |                 |               | Ø 80x90         |
|                          | 3.5    | Wheels, number front/back (x=driven)    |                 |               | 2/2             |
|                          | 3.6    | Tread width, front                      | b <sub>10</sub> | mm            | 120             |
|                          | 3.7    | Tread width, rear                       | b <sub>11</sub> | mm            | 360             |
| Basic dimensions         | 4.4    | Lift (h <sub>3</sub> )                  | h <sub>3</sub>  | mm            | 120             |
|                          | 4.14   | Stand height, elevated                  | h <sub>12</sub> | mm            | 200             |
|                          | 4.15   | Height, lowered                         | h <sub>13</sub> | mm            | 85              |
|                          | 4.19   | Overall length                          | l <sub>1</sub>  | mm            | 1475            |
|                          | 4.21.1 | Overall width                           | b <sub>1</sub>  | mm            | 520             |
|                          | 4.22   | Fork dimensions                         | s/e/l           | mm            | 51 x 160 x 1140 |
|                          | 4.25   | Width across forks                      | b <sub>5</sub>  | mm            | 520             |
|                          | 4.32   | Ground clearance centre of wheelbase    | m <sub>2</sub>  | mm            | 38              |
|                          | 4.34.1 | Aisle width (pallet 1000x1200 sideways) | A <sub>st</sub> | mm            | 1610            |
|                          | 4.34.2 | Aisle width (pallet 800x1200 length)    | A <sub>st</sub> | mm            | 1810            |
|                          | 4.35   | Turning radius                          | W <sub>s</sub>  | mm            | 1330            |
| Performance data         | 5.3    | Lowering speed laden/unladen            |                 | m/s           | 0.1 / 0.05      |

- This data sheet according to VDI guideline 2198 only states the technical values of the standard truck. Different tyres, other masts, additional equipment etc. may result in different values.

|                |     |  |   |               |      |
|----------------|-----|--|---|---------------|------|
| Characteristic | 1.1 | Manufacturer (abbreviated description) |   | Jungheinrich  |      |
|                | 1.2 | Manufacturer's type designation        |   | <b>AM 120</b> |      |
|                | 1.3 | Drive                                  |   | Manual        |      |
|                | 1.4 | Operation                              |   | Manual        |      |
|                | 1.5 | Load capacity/load                     | Q | kg            | 2000 |
|                | 1.6 | Load centre distance                   | c | mm            | 570  |
|                | 1.9 | Wheelbase                              | y | mm            | 1165 |

|   |        |   |                 |     |                 |
|---|--------|---|-----------------|-----|-----------------|
| Weights   | 2.1    | Service weight                          |                 | kg  | 72              |
|   | 2.1.1  | Service weight (incl. battery)          |                 | kg  | 72              |
| Wheels/suspension system  | 3.1    | Tyres                                   |                 |     | N-BN            |
|   | 3.2    | Tyre size, front                        |                 |     | Ø 200x50        |
|   | 3.3    | Tyre size, rear                         |                 |     | Ø 80x65         |
|   | 3.5    | Wheels, number front/back (x=driven)    |                 |     | 2/2             |
|   | 3.6    | Tread width, front                      | b <sub>10</sub> | mm  | 120             |
|   | 3.7    | Tread width, rear                       | b <sub>11</sub> | mm  | 360             |
| Basic dimensions  | 4.4    | Lift (h <sub>3</sub> )                  | h <sub>3</sub>  | mm  | 120             |
|   | 4.14   | Stand height, elevated                  | h <sub>12</sub> | mm  | 200             |
|   | 4.15   | Height, lowered                         | h <sub>13</sub> | mm  | 85              |
|   | 4.19   | Overall length                          | l <sub>1</sub>  | mm  | 1475            |
|   | 4.21.1 | Overall width                           | b <sub>1</sub>  | mm  | 520             |
|   | 4.22   | Fork dimensions                         | s/e/l           | mm  | 51 x 160 x 1140 |
|   | 4.25   | Width across forks                      | b <sub>5</sub>  | mm  | 520             |
|   | 4.32   | Ground clearance centre of wheelbase    | m <sub>2</sub>  | mm  | 38              |
|   | 4.34.1 | Aisle width (pallet 1000x1200 sideways) | A <sub>st</sub> | mm  | 1610            |
|   | 4.34.2 | Aisle width (pallet 800x1200 length)    | A <sub>st</sub> | mm  | 1810            |
|   | 4.35   | Turning radius                          | W <sub>s</sub>  | mm  | 1330            |
| Performance data  | 5.3    | Lowering speed laden/unladen            |                 | m/s | 0.1 / 0.05      |
| - This data sheet according to VDI guideline 2198 only states the technical values of the standard truck. Different tyres, other masts, additional equipment etc. may result in different values. |        |   |                 |     |                 |

|                          |         |  |                                |    |               |    |
|--------------------------|---------|--|--------------------------------|----|---------------|----|
| Characteristic           | 1.1     | Manufacturer (abbreviated description) |                                |    | Jungheinrich  |    |
|                          | 1.2     | Manufacturer's type designation        |                                |    | <b>AM I20</b> |    |
|                          | 1.3     | Drive                                  |                                |    | Manual        |    |
|                          | 1.4     | Operation                              |                                |    | Manual        |    |
|                          | 1.5     | Load capacity/load                     | Q                              | kg | 2000          |    |
|                          | 1.6     | Load centre distance                   | c                              | mm | 570           |    |
|                          | 1.9     | Wheelbase                              | y                              | mm | 1165          |    |
|                          | Weights | 2.1                                    | Service weight                 |    | kg            | 72 |
|                          |         | 2.1.1                                  | Service weight (incl. battery) |    | kg            | 72 |
| Wheels/suspension system | 3.1     | Tyres                                  |                                |    | V-BV          |    |
|                          | 3.2     | Tyre size, front                       |                                |    | Ø 200x50      |    |
|                          | 3.3     | Tyre size, rear                        |                                |    | Ø 80x70       |    |
|                          | 3.5     | Wheels, number front/back (x=driven)   |                                |    | 2/2           |    |
|                          | 3.6     | Tread width, front                     | b <sub>10</sub>                | mm | 120           |    |
|                          | 3.7     | Tread width, rear                      | b <sub>11</sub>                | mm | 360           |    |

|   |                |   |                 |      |                 |
|---|----------------|---|-----------------|------|-----------------|
| Basic dimensions  | 4.4            | Lift (h <sub>3</sub> )                  | h <sub>3</sub>  | mm   | 120             |
|   | 4.14           | Stand height, elevated                  | h <sub>12</sub> | mm   | 200             |
|   | 4.15           | Height, lowered                         | h <sub>13</sub> | mm   | 85              |
|   | 4.19           | Overall length                          | l <sub>1</sub>  | mm   | 1475            |
|   | 4.21.1         | Overall width                           | b <sub>1</sub>  | mm   | 520             |
|   | 4.22           | Fork dimensions                         | s/e/l           | mm   | 51 x 160 x 1140 |
|   | 4.25           | Width across forks                      | b <sub>5</sub>  | mm   | 520             |
|   | 4.32           | Ground clearance centre of wheelbase    | m <sub>2</sub>  | mm   | 38              |
|   | 4.34.1         | Aisle width (pallet 1000x1200 sideways) | Ast             | mm   | 1610            |
|   | 4.34.2         | Aisle width (pallet 800x1200 length)    | Ast             | mm   | 1810            |
| 4.35  | Turning radius | W <sub>a</sub>                          | mm              | 1330 |                 |
| Performance data  | 5.3            | Lowering speed laden/unladen            |                 | m/s  | 0.1 / 0.05      |
| - This data sheet according to VDI guideline 2198 only states the technical values of the standard truck. Different tyres, other masts, additional equipment etc. may result in different values. |                |   |                 |      |                 |

|                          |                |   |                 |      |                 |
|--------------------------|----------------|---|-----------------|------|-----------------|
| Characteristic           | 1.1            | Manufacturer (abbreviated description)  |                 |      | Jungheinrich    |
|                          | 1.2            | Manufacturer's type designation         |                 |      | <b>AM 120</b>   |
|                          | 1.3            | Drive                                   |                 |      | Manual          |
|                          | 1.4            | Operation                               |                 |      | Manual          |
|                          | 1.5            | Load capacity/load                      | Q               | kg   | 2000            |
|                          | 1.6            | Load centre distance                    | c               | mm   | 610             |
|                          | 1.9            | Wheelbase                               | y               | mm   | 1245            |
| Weights                  | 2.1            | Service weight                          |                 | kg   | 72              |
|                          | 2.1.1          | Service weight (incl. battery)          |                 | kg   | 72              |
| Wheels/suspension system | 3.1            | Tyres                                   |                 |      | N-GN            |
|                          | 3.2            | Tyre size, front                        |                 |      | Ø 200x50        |
|                          | 3.3            | Tyre size, rear                         |                 |      | Ø 80x90         |
|                          | 3.5            | Wheels, number front/back (x=driven)    |                 |      | 2/2             |
|                          | 3.6            | Tread width, front                      | b <sub>10</sub> | mm   | 120             |
|                          | 3.7            | Tread width, rear                       | b <sub>11</sub> | mm   | 360             |
| Basic dimensions         | 4.4            | Lift (h <sub>3</sub> )                  | h <sub>3</sub>  | mm   | 120             |
|                          | 4.14           | Stand height, elevated                  | h <sub>12</sub> | mm   | 200             |
|                          | 4.15           | Height, lowered                         | h <sub>13</sub> | mm   | 85              |
|                          | 4.19           | Overall length                          | l <sub>1</sub>  | mm   | 1555            |
|                          | 4.21.1         | Overall width                           | b <sub>1</sub>  | mm   | 520             |
|                          | 4.22           | Fork dimensions                         | s/e/l           | mm   | 51 x 160 x 1220 |
|                          | 4.25           | Width across forks                      | b <sub>5</sub>  | mm   | 520             |
|                          | 4.32           | Ground clearance centre of wheelbase    | m <sub>2</sub>  | mm   | 38              |
|                          | 4.34.1         | Aisle width (pallet 1000x1200 sideways) | Ast             | mm   | 1610            |
|                          | 4.34.2         | Aisle width (pallet 800x1200 length)    | Ast             | mm   | 1830            |
| 4.35                     | Turning radius | W <sub>a</sub>                          | mm              | 1410 |                 |

|                  |     |                              |     |            |
|------------------|-----|------------------------------|-----|------------|
| Performance data | 5.3 | Lowering speed laden/unladen | m/s | 0.1 / 0.05 |
|                  |     |                              |     |            |

- This data sheet according to VDI guideline 2198 only states the technical values of the standard truck. Different tyres, other masts, additional equipment etc. may result in different values.

|                          |                |   |                 |               |                 |
|--------------------------|----------------|---|-----------------|---------------|-----------------|
| Characteristic           | 1.1            | Manufacturer (abbreviated description)  |                 | Jungheinrich  |                 |
|                          | 1.2            | Manufacturer's type designation         |                 | <b>AM 120</b> |                 |
|                          | 1.3            | Drive                                   |                 | Manual        |                 |
|                          | 1.4            | Operation                               |                 | Manual        |                 |
|                          | 1.5            | Load capacity/load                      | Q               | kg            | 2000            |
|                          | 1.6            | Load centre distance                    | c               | mm            | 610             |
|                          | 1.9            | Wheelbase                               | y               | mm            | 1245            |
| Weights                  | 2.1            | Service weight                          |                 | kg            | 72              |
|                          | 2.1.1          | Service weight (incl. battery)          |                 | kg            | 72              |
| Wheels/suspension system | 3.1            | Tyres                                   |                 |               | V-GV            |
|                          | 3.2            | Tyre size, front                        |                 |               | Ø 200x50        |
|                          | 3.3            | Tyre size, rear                         |                 |               | Ø 80x90         |
|                          | 3.5            | Wheels, number front/back (x=driven)    |                 |               | 2/2             |
|                          | 3.6            | Tread width, front                      | b <sub>10</sub> | mm            | 120             |
|                          | 3.7            | Tread width, rear                       | b <sub>11</sub> | mm            | 360             |
| Basic dimensions         | 4.4            | Lift (h <sub>3</sub> )                  | h <sub>3</sub>  | mm            | 120             |
|                          | 4.14           | Stand height, elevated                  | h <sub>12</sub> | mm            | 200             |
|                          | 4.15           | Height, lowered                         | h <sub>13</sub> | mm            | 85              |
|                          | 4.19           | Overall length                          | l <sub>1</sub>  | mm            | 1555            |
|                          | 4.21.1         | Overall width                           | b <sub>1</sub>  | mm            | 520             |
|                          | 4.22           | Fork dimensions                         | s/e/l           | mm            | 51 x 160 x 1220 |
|                          | 4.25           | Width across forks                      | b <sub>5</sub>  | mm            | 520             |
|                          | 4.32           | Ground clearance centre of wheelbase    | m <sub>2</sub>  | mm            | 38              |
|                          | 4.34.1         | Aisle width (pallet 1000x1200 sideways) | A <sub>st</sub> | mm            | 1610            |
|                          | 4.34.2         | Aisle width (pallet 800x1200 length)    | A <sub>st</sub> | mm            | 1830            |
| 4.35                     | Turning radius | W <sub>a</sub>                          | mm              | 1410          |                 |
| Performance data         | 5.3            | Lowering speed laden/unladen            | m/s             | 0.1 / 0.05    |                 |
|                          |                |   |                 |               |                 |

- This data sheet according to VDI guideline 2198 only states the technical values of the standard truck. Different tyres, other masts, additional equipment etc. may result in different values.



|                          |        |   |                 |               |                 |
|--------------------------|--------|---|-----------------|---------------|-----------------|
| Characteristic           | 1.1    | Manufacturer (abbreviated description)  |                 | Jungheinrich  |                 |
|                          | 1.2    | Manufacturer's type designation         |                 | <b>AM 120</b> |                 |
|                          | 1.3    | Drive                                   |                 | Manual        |                 |
|                          | 1.4    | Operation                               |                 | Manual        |                 |
|                          | 1.5    | Load capacity/load                      | Q               | kg            | 2000            |
|                          | 1.6    | Load centre distance                    | c               | mm            | 610             |
|                          | 1.9    | Wheelbase                               | y               | mm            | 1245            |
| Weights                  | 2.1    | Service weight                          |                 | kg            | 75              |
|                          | 2.1.1  | Service weight (incl. battery)          |                 | kg            | 75              |
| Wheels/suspension system | 3.1    | Tyres                                   |                 |               | N-BN            |
|                          | 3.2    | Tyre size, front                        |                 |               | Ø 200x50        |
|                          | 3.3    | Tyre size, rear                         |                 |               | Ø 80x65         |
|                          | 3.5    | Wheels, number front/back (x=driven)    |                 |               | 2/2             |
|                          | 3.6    | Tread width, front                      | b <sub>10</sub> | mm            | 120             |
|                          | 3.7    | Tread width, rear                       | b <sub>11</sub> | mm            | 360             |
| Basic dimensions         | 4.4    | Lift (h <sub>3</sub> )                  | h <sub>3</sub>  | mm            | 120             |
|                          | 4.14   | Stand height, elevated                  | h <sub>12</sub> | mm            | 200             |
|                          | 4.15   | Height, lowered                         | h <sub>13</sub> | mm            | 85              |
|                          | 4.19   | Overall length                          | l <sub>1</sub>  | mm            | 1555            |
|                          | 4.21.1 | Overall width                           | b <sub>1</sub>  | mm            | 520             |
|                          | 4.22   | Fork dimensions                         | s/e/l           | mm            | 51 x 160 x 1220 |
|                          | 4.25   | Width across forks                      | b <sub>5</sub>  | mm            | 520             |
|                          | 4.32   | Ground clearance centre of wheelbase    | m <sub>2</sub>  | mm            | 38              |
|                          | 4.34.1 | Aisle width (pallet 1000x1200 sideways) | A <sub>st</sub> | mm            | 1610            |
|                          | 4.34.2 | Aisle width (pallet 800x1200 length)    | A <sub>st</sub> | mm            | 1830            |
|                          | 4.35   | Turning radius                          | W <sub>a</sub>  | mm            | 1410            |
| Performance data         | 5.3    | Lowering speed laden/unladen            |                 | m/s           | 0.1 / 0.05      |

- This data sheet according to VDI guideline 2198 only states the technical values of the standard truck. Different tyres, other masts, additional equipment etc. may result in different values.

|                |       |  |   |               |      |
|----------------|-------|--|---|---------------|------|
| Characteristic | 1.1   | Manufacturer (abbreviated description) |   | Jungheinrich  |      |
|                | 1.2   | Manufacturer's type designation        |   | <b>AM 120</b> |      |
|                | 1.3   | Drive                                  |   | Manual        |      |
|                | 1.4   | Operation                              |   | Manual        |      |
|                | 1.5   | Load capacity/load                     | Q | kg            | 2000 |
|                | 1.6   | Load centre distance                   | c | mm            | 610  |
|                | 1.9   | Wheelbase                              | y | mm            | 1245 |
| Weights        | 2.1   | Service weight                         |   | kg            | 75   |
|                | 2.1.1 | Service weight (incl. battery)         |   | kg            | 75   |

|   |                  |   |                        |                   |
|---|------------------|---|------------------------|-------------------|
| Wheels/suspension system  | 3.1              | Tyres                                   |                        | V-BV              |
|   | 3.2              | Tyre size, front                        |                        | Ø 200x50          |
|   | 3.3              | Tyre size, rear                         |                        | Ø 80x90           |
|   | 3.5              | Wheels, number front/back (x=driven)    |                        | 2/2               |
|   | 3.6              | Tread width, front                      | b <sub>10</sub> mm     | 120               |
|   | 3.7              | Tread width, rear                       | b <sub>11</sub> mm     | 360               |
|   | Basic dimensions | 4.4                                     | Lift (h <sub>3</sub> ) | h <sub>3</sub> mm |
| 4.14  |                  | Stand height, elevated                  | h <sub>12</sub> mm     | 200               |
| 4.15  |                  | Height, lowered                         | h <sub>13</sub> mm     | 85                |
| 4.19  |                  | Overall length                          | l <sub>1</sub> mm      | 1555              |
| 4.21.1  |                  | Overall width                           | b <sub>1</sub> mm      | 520               |
| 4.22  |                  | Fork dimensions                         | s/e/l mm               | 51 x 160 x 1220   |
| 4.25  |                  | Width across forks                      | b <sub>5</sub> mm      | 520               |
| 4.32  |                  | Ground clearance centre of wheelbase    | m <sub>2</sub> mm      | 38                |
| 4.34.1  |                  | Aisle width (pallet 1000x1200 sideways) | A <sub>st</sub> mm     | 1610              |
| 4.34.2  |                  | Aisle width (pallet 800x1200 length)    | A <sub>st</sub> mm     | 1830              |
| 4.35  |                  | Turning radius                          | W <sub>a</sub> mm      | 1410              |
| Performance data  | 5.3              | Lowering speed laden/unladen            | m/s                    | 0.1 / 0.05        |
| - This data sheet according to VDI guideline 2198 only states the technical values of the standard truck. Different tyres, other masts, additional equipment etc. may result in different values. |                  |   |                        |                   |

|                          |                  |  |                        |                   |
|--------------------------|------------------|--|------------------------|-------------------|
| Characteristic           | 1.1              | Manufacturer (abbreviated description) |                        | Jungheinrich      |
|                          | 1.2              | Manufacturer's type designation        |                        | <b>AM I20</b>     |
|                          | 1.3              | Drive                                  |                        | Manual            |
|                          | 1.4              | Operation                              |                        | Manual            |
|                          | 1.5              | Load capacity/load                     | Q kg                   | 2000              |
|                          | 1.6              | Load centre distance                   | c mm                   | 405               |
|                          | 1.9              | Wheelbase                              | y mm                   | 835               |
| Weights                  | 2.1              | Service weight                         | kg                     | 65                |
|                          | 2.1.1            | Service weight (incl. battery)         | kg                     | 65                |
| Wheels/suspension system | 3.1              | Tyres                                  |                        | N-GN              |
|                          | 3.2              | Tyre size, front                       |                        | Ø 200x50          |
|                          | 3.3              | Tyre size, rear                        |                        | Ø 80x90           |
|                          | 3.5              | Wheels, number front/back (x=driven)   |                        | 2/2               |
|                          | 3.6              | Tread width, front                     | b <sub>10</sub> mm     | 120               |
|                          | 3.7              | Tread width, rear                      | b <sub>11</sub> mm     | 520               |
|                          | Basic dimensions | 4.4                                    | Lift (h <sub>3</sub> ) | h <sub>3</sub> mm |
| 4.14                     |                  | Stand height, elevated                 | h <sub>12</sub> mm     | 200               |
| 4.15                     |                  | Height, lowered                        | h <sub>13</sub> mm     | 85                |
| 4.19                     |                  | Overall length                         | l <sub>1</sub> mm      | 1145              |
| 4.21.1                   |                  | Overall width                          | b <sub>1</sub> mm      | 680               |

|   |        |   |                |     |                |
|---|--------|---|----------------|-----|----------------|
|   | 4.22   | Fork dimensions                         | s/e/l          | mm  | 51 x 160 x 810 |
|   | 4.25   | Width across forks                      | b <sub>5</sub> | mm  | 680            |
|   | 4.32   | Ground clearance centre of wheelbase    | m <sub>2</sub> | mm  | 38             |
|   | 4.34.1 | Aisle width (pallet 1000x1200 sideways) | Ast            | mm  | 1610           |
|   | 4.34.2 | Aisle width (pallet 800x1200 length)    | Ast            | mm  | 1810           |
|   | 4.35   | Turning radius                          | W <sub>a</sub> | mm  | 1000           |
| Performance data  | 5.3    | Lowering speed laden/unladen            |                | m/s | 0.1 / 0.05     |
| - This data sheet according to VDI guideline 2198 only states the technical values of the standard truck. Different tyres, other masts, additional equipment etc. may result in different values. |        |   |                |     |                |

|                          |                |   |                 |      |                |
|--------------------------|----------------|---|-----------------|------|----------------|
| Characteristic           | 1.1            | Manufacturer (abbreviated description)  |                 |      | Jungheinrich   |
|                          | 1.2            | Manufacturer's type designation         |                 |      | <b>AM I20</b>  |
|                          | 1.3            | Drive                                   |                 |      | Manual         |
|                          | 1.4            | Operation                               |                 |      | Manual         |
|                          | 1.5            | Load capacity/load                      | Q               | kg   | 2000           |
|                          | 1.6            | Load centre distance                    | c               | mm   | 405            |
|                          | 1.9            | Wheelbase                               | y               | mm   | 835            |
| Weights                  | 2.1            | Service weight                          |                 | kg   | 65             |
|                          | 2.1.1          | Service weight (incl. battery)          |                 | kg   | 65             |
| Wheels/suspension system | 3.1            | Tyres                                   |                 |      | V-GV           |
|                          | 3.2            | Tyre size, front                        |                 |      | Ø 200x50       |
|                          | 3.3            | Tyre size, rear                         |                 |      | Ø 80x90        |
|                          | 3.5            | Wheels, number front/back (x=driven)    |                 |      | 2/2            |
|                          | 3.6            | Tread width, front                      | b <sub>10</sub> | mm   | 120            |
|                          | 3.7            | Tread width, rear                       | b <sub>11</sub> | mm   | 520            |
| Basic dimensions         | 4.4            | Lift (h <sub>3</sub> )                  | h <sub>3</sub>  | mm   | 120            |
|                          | 4.14           | Stand height, elevated                  | h <sub>12</sub> | mm   | 200            |
|                          | 4.15           | Height, lowered                         | h <sub>13</sub> | mm   | 85             |
|                          | 4.19           | Overall length                          | l <sub>1</sub>  | mm   | 1145           |
|                          | 4.21.1         | Overall width                           | b <sub>1</sub>  | mm   | 680            |
|                          | 4.22           | Fork dimensions                         | s/e/l           | mm   | 51 x 160 x 810 |
|                          | 4.25           | Width across forks                      | b <sub>5</sub>  | mm   | 680            |
|                          | 4.32           | Ground clearance centre of wheelbase    | m <sub>2</sub>  | mm   | 38             |
|                          | 4.34.1         | Aisle width (pallet 1000x1200 sideways) | Ast             | mm   | 1610           |
|                          | 4.34.2         | Aisle width (pallet 800x1200 length)    | Ast             | mm   | 1810           |
| 4.35                     | Turning radius | W <sub>a</sub>                          | mm              | 1000 |                |
| Performance data         | 5.3            | Lowering speed laden/unladen            |                 | m/s  | 0.1 / 0.05     |

- This data sheet according to VDI guideline 2198 only states the technical values of the standard truck. Different tyres, other masts, additional equipment etc. may result in different values.

|                          |        |   |                 |               |                |
|--------------------------|--------|---|-----------------|---------------|----------------|
| Characteristic           | 1.1    | Manufacturer (abbreviated description)  |                 | Jungheinrich  |                |
|                          | 1.2    | Manufacturer's type designation         |                 | <b>AM I20</b> |                |
|                          | 1.3    | Drive                                   |                 | Manual        |                |
|                          | 1.4    | Operation                               |                 | Manual        |                |
|                          | 1.5    | Load capacity/load                      | Q               | kg            | 2000           |
|                          | 1.6    | Load centre distance                    | c               | mm            | 405            |
|                          | 1.9    | Wheelbase                               | y               | mm            | 835            |
| Weights                  | 2.1    | Service weight                          |                 | kg            | 69             |
|                          | 2.1.1  | Service weight (incl. battery)          |                 | kg            | 69             |
| Wheels/suspension system | 3.1    | Tyres                                   |                 |               | V-BV           |
|                          | 3.2    | Tyre size, front                        |                 |               | Ø 200x50       |
|                          | 3.3    | Tyre size, rear                         |                 |               | Ø 80x70        |
|                          | 3.5    | Wheels, number front/back (x=driven)    |                 |               | 2/2            |
|                          | 3.6    | Tread width, front                      | b <sub>10</sub> | mm            | 120            |
|                          | 3.7    | Tread width, rear                       | b <sub>11</sub> | mm            | 520            |
| Basic dimensions         | 4.4    | Lift (h <sub>3</sub> )                  | h <sub>3</sub>  | mm            | 120            |
|                          | 4.14   | Stand height, elevated                  | h <sub>12</sub> | mm            | 200            |
|                          | 4.15   | Height, lowered                         | h <sub>13</sub> | mm            | 85             |
|                          | 4.19   | Overall length                          | l <sub>1</sub>  | mm            | 1145           |
|                          | 4.21.1 | Overall width                           | b <sub>1</sub>  | mm            | 680            |
|                          | 4.22   | Fork dimensions                         | s/e/l           | mm            | 51 x 160 x 810 |
|                          | 4.25   | Width across forks                      | b <sub>5</sub>  | mm            | 680            |
|                          | 4.32   | Ground clearance centre of wheelbase    | m <sub>2</sub>  | mm            | 38             |
|                          | 4.34.1 | Aisle width (pallet 1000x1200 sideways) | A <sub>st</sub> | mm            | 1610           |
|                          | 4.34.2 | Aisle width (pallet 800x1200 length)    | A <sub>st</sub> | mm            | 1810           |
|                          | 4.35   | Turning radius                          | W <sub>a</sub>  | mm            | 1000           |
| Performance data         | 5.3    | Lowering speed laden/unladen            |                 | m/s           | 0.1 / 0.05     |

- This data sheet according to VDI guideline 2198 only states the technical values of the standard truck. Different tyres, other masts, additional equipment etc. may result in different values.

|                |     |  |   |               |      |
|----------------|-----|--|---|---------------|------|
| Characteristic | 1.1 | Manufacturer (abbreviated description) |   | Jungheinrich  |      |
|                | 1.2 | Manufacturer's type designation        |   | <b>AM I20</b> |      |
|                | 1.3 | Drive                                  |   | Manual        |      |
|                | 1.4 | Operation                              |   | Manual        |      |
|                | 1.5 | Load capacity/load                     | Q | kg            | 2000 |
|                | 1.6 | Load centre distance                   | c | mm            | 405  |
|                | 1.9 | Wheelbase                              | y | mm            | 835  |

|   |        |   |                 |     |                |
|---|--------|---|-----------------|-----|----------------|
| Weights   | 2.1    | Service weight                          |                 | kg  | 69             |
|   | 2.1.1  | Service weight (incl. battery)          |                 | kg  | 69             |
| Wheels/suspension system  | 3.1    | Tyres                                   |                 |     | N-BN           |
|   | 3.2    | Tyre size, front                        |                 |     | Ø 200x50       |
|   | 3.3    | Tyre size, rear                         |                 |     | Ø 80x65        |
|   | 3.5    | Wheels, number front/back (x=driven)    |                 |     | 2/2            |
|   | 3.6    | Tread width, front                      | b <sub>10</sub> | mm  | 120            |
|   | 3.7    | Tread width, rear                       | b <sub>11</sub> | mm  | 520            |
| Basic dimensions  | 4.4    | Lift (h <sub>3</sub> )                  | h <sub>3</sub>  | mm  | 120            |
|   | 4.14   | Stand height, elevated                  | h <sub>12</sub> | mm  | 200            |
|   | 4.15   | Height, lowered                         | h <sub>13</sub> | mm  | 85             |
|   | 4.19   | Overall length                          | l <sub>1</sub>  | mm  | 1145           |
|   | 4.21.1 | Overall width                           | b <sub>1</sub>  | mm  | 680            |
|   | 4.22   | Fork dimensions                         | s/e/l           | mm  | 51 x 160 x 810 |
|   | 4.25   | Width across forks                      | b <sub>5</sub>  | mm  | 680            |
|   | 4.32   | Ground clearance centre of wheelbase    | m <sub>2</sub>  | mm  | 38             |
|   | 4.34.1 | Aisle width (pallet 1000x1200 sideways) | A <sub>st</sub> | mm  | 1610           |
|   | 4.34.2 | Aisle width (pallet 800x1200 length)    | A <sub>st</sub> | mm  | 1810           |
|   | 4.35   | Turning radius                          | W <sub>a</sub>  | mm  | 1000           |
| Performance data  | 5.3    | Lowering speed laden/unladen            |                 | m/s | 0.1 / 0.05     |
| - This data sheet according to VDI guideline 2198 only states the technical values of the standard truck. Different tyres, other masts, additional equipment etc. may result in different values. |        |   |                 |     |                |

|                          |       |  |                 |    |               |
|--------------------------|-------|--|-----------------|----|---------------|
| Characteristic           | 1.1   | Manufacturer (abbreviated description) |                 |    | Jungheinrich  |
|                          | 1.2   | Manufacturer's type designation        |                 |    | <b>AM i20</b> |
|                          | 1.3   | Drive                                  |                 |    | Manual        |
|                          | 1.4   | Operation                              |                 |    | Manual        |
|                          | 1.5   | Load capacity/load                     | Q               | kg | 2000          |
|                          | 1.6   | Load centre distance                   | c               | mm | 485           |
|                          | 1.9   | Wheelbase                              | y               | mm | 995           |
| Weights                  | 2.1   | Service weight                         |                 | kg | 69            |
|                          | 2.1.1 | Service weight (incl. battery)         |                 | kg | 69            |
| Wheels/suspension system | 3.1   | Tyres                                  |                 |    | N-GN          |
|                          | 3.2   | Tyre size, front                       |                 |    | Ø 200x50      |
|                          | 3.3   | Tyre size, rear                        |                 |    | Ø 80x90       |
|                          | 3.5   | Wheels, number front/back (x=driven)   |                 |    | 2/2           |
|                          | 3.6   | Tread width, front                     | b <sub>10</sub> | mm | 120           |
|                          | 3.7   | Tread width, rear                      | b <sub>11</sub> | mm | 520           |

|   |                |   |                 |      |                |
|---|----------------|---|-----------------|------|----------------|
| Basic dimensions  | 4.4            | Lift (h <sub>3</sub> )                  | h <sub>3</sub>  | mm   | 120            |
|   | 4.14           | Stand height, elevated                  | h <sub>12</sub> | mm   | 200            |
|   | 4.15           | Height, lowered                         | h <sub>13</sub> | mm   | 85             |
|   | 4.19           | Overall length                          | l <sub>1</sub>  | mm   | 1305           |
|   | 4.21.1         | Overall width                           | b <sub>1</sub>  | mm   | 680            |
|   | 4.22           | Fork dimensions                         | s/e/l           | mm   | 51 x 160 x 970 |
|   | 4.25           | Width across forks                      | b <sub>5</sub>  | mm   | 680            |
|   | 4.32           | Ground clearance centre of wheelbase    | m <sub>2</sub>  | mm   | 38             |
|   | 4.34.1         | Aisle width (pallet 1000x1200 sideways) | Ast             | mm   | 1610           |
|   | 4.34.2         | Aisle width (pallet 800x1200 length)    | Ast             | mm   | 1810           |
| 4.35  | Turning radius | W <sub>a</sub>                          | mm              | 1160 |                |
| Performance data  | 5.3            | Lowering speed laden/unladen            |                 | m/s  | 0.1 / 0.05     |
| - This data sheet according to VDI guideline 2198 only states the technical values of the standard truck. Different tyres, other masts, additional equipment etc. may result in different values. |                |   |                 |      |                |

|                          |                |   |                 |      |                |
|--------------------------|----------------|---|-----------------|------|----------------|
| Characteristic           | 1.1            | Manufacturer (abbreviated description)  |                 |      | Jungheinrich   |
|                          | 1.2            | Manufacturer's type designation         |                 |      | <b>AM I20</b>  |
|                          | 1.3            | Drive                                   |                 |      | Manual         |
|                          | 1.4            | Operation                               |                 |      | Manual         |
|                          | 1.5            | Load capacity/load                      | Q               | kg   | 2000           |
|                          | 1.6            | Load centre distance                    | c               | mm   | 485            |
|                          | 1.9            | Wheelbase                               | y               | mm   | 995            |
| Weights                  | 2.1            | Service weight                          |                 | kg   | 69             |
|                          | 2.1.1          | Service weight (incl. battery)          |                 | kg   | 69             |
| Wheels/suspension system | 3.1            | Tyres                                   |                 |      | V-GV           |
|                          | 3.2            | Tyre size, front                        |                 |      | Ø 200x50       |
|                          | 3.3            | Tyre size, rear                         |                 |      | Ø 80x90        |
|                          | 3.5            | Wheels, number front/back (x=driven)    |                 |      | 2/2            |
|                          | 3.6            | Tread width, front                      | b <sub>10</sub> | mm   | 120            |
|                          | 3.7            | Tread width, rear                       | b <sub>11</sub> | mm   | 520            |
| Basic dimensions         | 4.4            | Lift (h <sub>3</sub> )                  | h <sub>3</sub>  | mm   | 120            |
|                          | 4.14           | Stand height, elevated                  | h <sub>12</sub> | mm   | 200            |
|                          | 4.15           | Height, lowered                         | h <sub>13</sub> | mm   | 85             |
|                          | 4.19           | Overall length                          | l <sub>1</sub>  | mm   | 1305           |
|                          | 4.21.1         | Overall width                           | b <sub>1</sub>  | mm   | 680            |
|                          | 4.22           | Fork dimensions                         | s/e/l           | mm   | 51 x 160 x 970 |
|                          | 4.25           | Width across forks                      | b <sub>5</sub>  | mm   | 680            |
|                          | 4.32           | Ground clearance centre of wheelbase    | m <sub>2</sub>  | mm   | 38             |
|                          | 4.34.1         | Aisle width (pallet 1000x1200 sideways) | Ast             | mm   | 1610           |
|                          | 4.34.2         | Aisle width (pallet 800x1200 length)    | Ast             | mm   | 1810           |
| 4.35                     | Turning radius | W <sub>a</sub>                          | mm              | 1160 |                |

|                  |     |                              |     |            |
|------------------|-----|------------------------------|-----|------------|
| Performance data | 5.3 | Lowering speed laden/unladen | m/s | 0.1 / 0.05 |
|------------------|-----|------------------------------|-----|------------|

- This data sheet according to VDI guideline 2198 only states the technical values of the standard truck. Different tyres, other masts, additional equipment etc. may result in different values.

|                          |                |   |                 |               |                |
|--------------------------|----------------|---|-----------------|---------------|----------------|
| Characteristic           | 1.1            | Manufacturer (abbreviated description)  |                 | Jungheinrich  |                |
|                          | 1.2            | Manufacturer's type designation         |                 | <b>AM I20</b> |                |
|                          | 1.3            | Drive                                   |                 | Manual        |                |
|                          | 1.4            | Operation                               |                 | Manual        |                |
|                          | 1.5            | Load capacity/load                      | Q               | kg            | 2000           |
|                          | 1.6            | Load centre distance                    | c               | mm            | 485            |
|                          | 1.9            | Wheelbase                               | y               | mm            | 995            |
| Weights                  | 2.1            | Service weight                          |                 | kg            | 72             |
|                          | 2.1.1          | Service weight (incl. battery)          |                 | kg            | 72             |
| Wheels/suspension system | 3.1            | Tyres                                   |                 |               | N-BN           |
|                          | 3.2            | Tyre size, front                        |                 |               | Ø 200x50       |
|                          | 3.3            | Tyre size, rear                         |                 |               | Ø 80x65        |
|                          | 3.5            | Wheels, number front/back (x=driven)    |                 |               | 2/2            |
|                          | 3.6            | Tread width, front                      | b <sub>10</sub> | mm            | 120            |
|                          | 3.7            | Tread width, rear                       | b <sub>11</sub> | mm            | 520            |
| Basic dimensions         | 4.4            | Lift (h <sub>3</sub> )                  | h <sub>3</sub>  | mm            | 120            |
|                          | 4.14           | Stand height, elevated                  | h <sub>12</sub> | mm            | 200            |
|                          | 4.15           | Height, lowered                         | h <sub>15</sub> | mm            | 85             |
|                          | 4.19           | Overall length                          | l <sub>1</sub>  | mm            | 1305           |
|                          | 4.21.1         | Overall width                           | b <sub>1</sub>  | mm            | 680            |
|                          | 4.22           | Fork dimensions                         | s/e/l           | mm            | 51 x 160 x 970 |
|                          | 4.25           | Width across forks                      | b <sub>5</sub>  | mm            | 680            |
|                          | 4.32           | Ground clearance centre of wheelbase    | m <sub>2</sub>  | mm            | 38             |
|                          | 4.34.1         | Aisle width (pallet 1000x1200 sideways) | A <sub>st</sub> | mm            | 1610           |
|                          | 4.34.2         | Aisle width (pallet 800x1200 length)    | A <sub>st</sub> | mm            | 1810           |
| 4.35                     | Turning radius | W <sub>a</sub>                          | mm              | 1160          |                |
| Performance data         | 5.3            | Lowering speed laden/unladen            |                 | m/s           | 0.1 / 0.05     |

- This data sheet according to VDI guideline 2198 only states the technical values of the standard truck. Different tyres, other masts, additional equipment etc. may result in different values.

|   |        |   |                 |               |                |
|---|--------|---|-----------------|---------------|----------------|
| Characteristic  | 1.1    | Manufacturer (abbreviated description)  |                 | Jungheinrich  |                |
|   | 1.2    | Manufacturer's type designation         |                 | <b>AM I20</b> |                |
|   | 1.3    | Drive                                   |                 | Manual        |                |
|   | 1.4    | Operation                               |                 | Manual        |                |
|   | 1.5    | Load capacity/load                      | Q               | kg            | 2000           |
|   | 1.6    | Load centre distance                    | c               | mm            | 485            |
|   | 1.9    | Wheelbase                               | y               | mm            | 995            |
| Weights   | 2.1    | Service weight                          |                 | kg            | 72             |
|   | 2.1.1  | Service weight (incl. battery)          |                 | kg            | 72             |
| Wheels/suspension system  | 3.1    | Tyres                                   |                 |               | V-BV           |
|   | 3.2    | Tyre size, front                        |                 |               | Ø 200x50       |
|   | 3.3    | Tyre size, rear                         |                 |               | Ø 80x70        |
|   | 3.5    | Wheels, number front/back (x=driven)    |                 |               | 2/2            |
|   | 3.6    | Tread width, front                      | b <sub>10</sub> | mm            | 120            |
|   | 3.7    | Tread width, rear                       | b <sub>11</sub> | mm            | 520            |
| Basic dimensions  | 4.4    | Lift (h <sub>3</sub> )                  | h <sub>3</sub>  | mm            | 120            |
|   | 4.14   | Stand height, elevated                  | h <sub>12</sub> | mm            | 200            |
|   | 4.15   | Height, lowered                         | h <sub>13</sub> | mm            | 85             |
|   | 4.19   | Overall length                          | l <sub>1</sub>  | mm            | 1305           |
|   | 4.21.1 | Overall width                           | b <sub>1</sub>  | mm            | 680            |
|   | 4.22   | Fork dimensions                         | s/e/l           | mm            | 51 x 160 x 970 |
|   | 4.25   | Width across forks                      | b <sub>5</sub>  | mm            | 680            |
|   | 4.32   | Ground clearance centre of wheelbase    | m <sub>2</sub>  | mm            | 38             |
|   | 4.34.1 | Aisle width (pallet 1000x1200 sideways) | A <sub>st</sub> | mm            | 1610           |
|   | 4.34.2 | Aisle width (pallet 800x1200 length)    | A <sub>st</sub> | mm            | 1810           |
|   | 4.35   | Turning radius                          | W <sub>a</sub>  | mm            | 1160           |
| Performance data  | 5.3    | Lowering speed laden/unladen            |                 | m/s           | 0.1 / 0.05     |
| - This data sheet according to VDI guideline 2198 only states the technical values of the standard truck. Different tyres, other masts, additional equipment etc. may result in different values. |        |   |                 |               |                |

|                |       |  |   |               |      |
|----------------|-------|--|---|---------------|------|
| Characteristic | 1.1   | Manufacturer (abbreviated description) |   | Jungheinrich  |      |
|                | 1.2   | Manufacturer's type designation        |   | <b>AM I20</b> |      |
|                | 1.3   | Drive                                  |   | Manual        |      |
|                | 1.4   | Operation                              |   | Manual        |      |
|                | 1.5   | Load capacity/load                     | Q | kg            | 2000 |
|                | 1.6   | Load centre distance                   | c | mm            | 570  |
|                | 1.9   | Wheelbase                              | y | mm            | 1165 |
| Weights        | 2.1   | Service weight                         |   | kg            | 75   |
|                | 2.1.1 | Service weight (incl. battery)         |   | kg            | 75   |



|   |                  |   |                        |                |                 |
|---|------------------|---|------------------------|----------------|-----------------|
| Wheels/suspension system  | 3.1              | Tyres                                   |                        |                | N-GN            |
|   | 3.2              | Tyre size, front                        |                        |                | Ø 200x50        |
|   | 3.3              | Tyre size, rear                         |                        |                | Ø 80x90         |
|   | 3.5              | Wheels, number front/back (x=driven)    |                        |                | 2/2             |
|   | 3.6              | Tread width, front                      | b <sub>10</sub>        | mm             | 120             |
|   | 3.7              | Tread width, rear                       | b <sub>11</sub>        | mm             | 520             |
|   | Basic dimensions | 4.4                                     | Lift (h <sub>3</sub> ) | h <sub>3</sub> | mm              |
| 4.14  |                  | Stand height, elevated                  | h <sub>12</sub>        | mm             | 200             |
| 4.15  |                  | Height, lowered                         | h <sub>13</sub>        | mm             | 85              |
| 4.19  |                  | Overall length                          | l <sub>1</sub>         | mm             | 1475            |
| 4.21.1  |                  | Overall width                           | b <sub>1</sub>         | mm             | 680             |
| 4.22  |                  | Fork dimensions                         | s/e/l                  | mm             | 51 x 160 x 1140 |
| 4.25  |                  | Width across forks                      | b <sub>5</sub>         | mm             | 680             |
| 4.32  |                  | Ground clearance centre of wheelbase    | m <sub>2</sub>         | mm             | 38              |
| 4.34.1  |                  | Aisle width (pallet 1000x1200 sideways) | A <sub>st</sub>        | mm             | 1610            |
| 4.34.2  |                  | Aisle width (pallet 800x1200 length)    | A <sub>st</sub>        | mm             | 1810            |
| 4.35  |                  | Turning radius                          | W <sub>a</sub>         | mm             | 1330            |
| Performance data  | 5.3              | Lowering speed laden/unladen            |                        | m/s            | 0.1 / 0.05      |
| - This data sheet according to VDI guideline 2198 only states the technical values of the standard truck. Different tyres, other masts, additional equipment etc. may result in different values. |                  |   |                        |                |                 |

|                          |                  |  |                        |                |               |
|--------------------------|------------------|--|------------------------|----------------|---------------|
| Characteristic           | 1.1              | Manufacturer (abbreviated description) |                        |                | Jungheinrich  |
|                          | 1.2              | Manufacturer's type designation        |                        |                | <b>AM I20</b> |
|                          | 1.3              | Drive                                  |                        |                | Manual        |
|                          | 1.4              | Operation                              |                        |                | Manual        |
|                          | 1.5              | Load capacity/load                     | Q                      | kg             | 2000          |
|                          | 1.6              | Load centre distance                   | c                      | mm             | 570           |
|                          | 1.9              | Wheelbase                              | y                      | mm             | 1165          |
| Weights                  | 2.1              | Service weight                         |                        | kg             | 75            |
|                          | 2.1.1            | Service weight (incl. battery)         |                        | kg             | 75            |
| Wheels/suspension system | 3.1              | Tyres                                  |                        |                | V-GV          |
|                          | 3.2              | Tyre size, front                       |                        |                | Ø 200x50      |
|                          | 3.3              | Tyre size, rear                        |                        |                | Ø 80x90       |
|                          | 3.5              | Wheels, number front/back (x=driven)   |                        |                | 2/2           |
|                          | 3.6              | Tread width, front                     | b <sub>10</sub>        | mm             | 120           |
|                          | 3.7              | Tread width, rear                      | b <sub>11</sub>        | mm             | 520           |
|                          | Basic dimensions | 4.4                                    | Lift (h <sub>3</sub> ) | h <sub>3</sub> | mm            |
| 4.14                     |                  | Stand height, elevated                 | h <sub>12</sub>        | mm             | 200           |
| 4.15                     |                  | Height, lowered                        | h <sub>13</sub>        | mm             | 85            |
| 4.19                     |                  | Overall length                         | l <sub>1</sub>         | mm             | 1475          |
| 4.21.1                   |                  | Overall width                          | b <sub>1</sub>         | mm             | 680           |

|   |        |   |                |     |                 |
|---|--------|---|----------------|-----|-----------------|
|   | 4.22   | Fork dimensions                         | s/e/l          | mm  | 51 x 160 x 1140 |
|   | 4.25   | Width across forks                      | b <sub>5</sub> | mm  | 680             |
|   | 4.32   | Ground clearance centre of wheelbase    | m <sub>2</sub> | mm  | 38              |
|   | 4.34.1 | Aisle width (pallet 1000x1200 sideways) | Ast            | mm  | 1610            |
|   | 4.34.2 | Aisle width (pallet 800x1200 length)    | Ast            | mm  | 1810            |
|   | 4.35   | Turning radius                          | W <sub>a</sub> | mm  | 1330            |
| Performance data  | 5.3    | Lowering speed laden/unladen            |                | m/s | 0.1 / 0.05      |
| - This data sheet according to VDI guideline 2198 only states the technical values of the standard truck. Different tyres, other masts, additional equipment etc. may result in different values. |        |   |                |     |                 |

|                          |                |   |                 |      |                 |
|--------------------------|----------------|---|-----------------|------|-----------------|
| Characteristic           | 1.1            | Manufacturer (abbreviated description)  |                 |      | Jungheinrich    |
|                          | 1.2            | Manufacturer's type designation         |                 |      | <b>AM 120</b>   |
|                          | 1.3            | Drive                                   |                 |      | Manual          |
|                          | 1.4            | Operation                               |                 |      | Manual          |
|                          | 1.5            | Load capacity/load                      | Q               | kg   | 2000            |
|                          | 1.6            | Load centre distance                    | c               | mm   | 570             |
|                          | 1.9            | Wheelbase                               | y               | mm   | 1165            |
| Weights                  | 2.1            | Service weight                          |                 | kg   | 78              |
|                          | 2.1.1          | Service weight (incl. battery)          |                 | kg   | 78              |
| Wheels/suspension system | 3.1            | Tyres                                   |                 |      | N-BN            |
|                          | 3.2            | Tyre size, front                        |                 |      | Ø 200x50        |
|                          | 3.3            | Tyre size, rear                         |                 |      | Ø 80x65         |
|                          | 3.5            | Wheels, number front/back (x=driven)    |                 |      | 2/2             |
|                          | 3.6            | Tread width, front                      | b <sub>10</sub> | mm   | 120             |
|                          | 3.7            | Tread width, rear                       | b <sub>11</sub> | mm   | 520             |
| Basic dimensions         | 4.4            | Lift (h <sub>3</sub> )                  | h <sub>3</sub>  | mm   | 120             |
|                          | 4.14           | Stand height, elevated                  | h <sub>12</sub> | mm   | 200             |
|                          | 4.15           | Height, lowered                         | h <sub>13</sub> | mm   | 85              |
|                          | 4.19           | Overall length                          | l <sub>1</sub>  | mm   | 1475            |
|                          | 4.21.1         | Overall width                           | b <sub>1</sub>  | mm   | 680             |
|                          | 4.22           | Fork dimensions                         | s/e/l           | mm   | 51 x 160 x 1140 |
|                          | 4.25           | Width across forks                      | b <sub>5</sub>  | mm   | 680             |
|                          | 4.32           | Ground clearance centre of wheelbase    | m <sub>2</sub>  | mm   | 38              |
|                          | 4.34.1         | Aisle width (pallet 1000x1200 sideways) | Ast             | mm   | 1610            |
|                          | 4.34.2         | Aisle width (pallet 800x1200 length)    | Ast             | mm   | 1810            |
| 4.35                     | Turning radius | W <sub>a</sub>                          | mm              | 1330 |                 |
| Performance data         | 5.3            | Lowering speed laden/unladen            |                 | m/s  | 0.1 / 0.05      |

- This data sheet according to VDI guideline 2198 only states the technical values of the standard truck. Different tyres, other masts, additional equipment etc. may result in different values.

|                          |        |   |                 |               |                 |
|--------------------------|--------|---|-----------------|---------------|-----------------|
| Characteristic           | 1.1    | Manufacturer (abbreviated description)  |                 | Jungheinrich  |                 |
|                          | 1.2    | Manufacturer's type designation         |                 | <b>AM I20</b> |                 |
|                          | 1.3    | Drive                                   |                 | Manual        |                 |
|                          | 1.4    | Operation                               |                 | Manual        |                 |
|                          | 1.5    | Load capacity/load                      | Q               | kg            | 2000            |
|                          | 1.6    | Load centre distance                    | c               | mm            | 570             |
|                          | 1.9    | Wheelbase                               | y               | mm            | 1165            |
| Weights                  | 2.1    | Service weight                          |                 | kg            | 78              |
|                          | 2.1.1  | Service weight (incl. battery)          |                 | kg            | 78              |
| Wheels/suspension system | 3.1    | Tyres                                   |                 |               | V-BV            |
|                          | 3.2    | Tyre size, front                        |                 |               | Ø 200x50        |
|                          | 3.3    | Tyre size, rear                         |                 |               | Ø 80x70         |
|                          | 3.5    | Wheels, number front/back (x=driven)    |                 |               | 2/2             |
|                          | 3.6    | Tread width, front                      | b <sub>10</sub> | mm            | 120             |
|                          | 3.7    | Tread width, rear                       | b <sub>11</sub> | mm            | 520             |
| Basic dimensions         | 4.4    | Lift (h <sub>3</sub> )                  | h <sub>3</sub>  | mm            | 120             |
|                          | 4.14   | Stand height, elevated                  | h <sub>12</sub> | mm            | 200             |
|                          | 4.15   | Height, lowered                         | h <sub>13</sub> | mm            | 85              |
|                          | 4.19   | Overall length                          | l <sub>1</sub>  | mm            | 1475            |
|                          | 4.21.1 | Overall width                           | b <sub>1</sub>  | mm            | 680             |
|                          | 4.22   | Fork dimensions                         | s/e/l           | mm            | 51 x 160 x 1140 |
|                          | 4.25   | Width across forks                      | b <sub>5</sub>  | mm            | 680             |
|                          | 4.32   | Ground clearance centre of wheelbase    | m <sub>2</sub>  | mm            | 38              |
|                          | 4.34.1 | Aisle width (pallet 1000x1200 sideways) | A <sub>st</sub> | mm            | 1610            |
|                          | 4.34.2 | Aisle width (pallet 800x1200 length)    | A <sub>st</sub> | mm            | 1810            |
|                          | 4.35   | Turning radius                          | W <sub>s</sub>  | mm            | 1330            |
| Performance data         | 5.3    | Lowering speed laden/unladen            |                 | m/s           | 0.1 / 0.05      |

- This data sheet according to VDI guideline 2198 only states the technical values of the standard truck. Different tyres, other masts, additional equipment etc. may result in different values.

|                |     |  |   |               |      |
|----------------|-----|--|---|---------------|------|
| Characteristic | 1.1 | Manufacturer (abbreviated description) |   | Jungheinrich  |      |
|                | 1.2 | Manufacturer's type designation        |   | <b>AM I20</b> |      |
|                | 1.3 | Drive                                  |   | Manual        |      |
|                | 1.4 | Operation                              |   | Manual        |      |
|                | 1.5 | Load capacity/load                     | Q | kg            | 2000 |
|                | 1.6 | Load centre distance                   | c | mm            | 610  |
|                | 1.9 | Wheelbase                              | y | mm            | 1245 |

|   |        |   |                 |     |                 |
|---|--------|---|-----------------|-----|-----------------|
| Weights   | 2.1    | Service weight                          |                 | kg  | 78              |
|   | 2.1.1  | Service weight (incl. battery)          |                 | kg  | 78              |
| Wheels/suspension system  | 3.1    | Tyres                                   |                 |     | N-GN            |
|   | 3.2    | Tyre size, front                        |                 |     | Ø 200x50        |
|   | 3.3    | Tyre size, rear                         |                 |     | Ø 80x90         |
|   | 3.5    | Wheels, number front/back (x=driven)    |                 |     | 2/2             |
|   | 3.6    | Tread width, front                      | b <sub>10</sub> | mm  | 120             |
|   | 3.7    | Tread width, rear                       | b <sub>11</sub> | mm  | 520             |
| Basic dimensions  | 4.4    | Lift (h <sub>3</sub> )                  | h <sub>3</sub>  | mm  | 120             |
|   | 4.14   | Stand height, elevated                  | h <sub>12</sub> | mm  | 200             |
|   | 4.15   | Height, lowered                         | h <sub>13</sub> | mm  | 85              |
|   | 4.19   | Overall length                          | l <sub>1</sub>  | mm  | 1555            |
|   | 4.21.1 | Overall width                           | b <sub>1</sub>  | mm  | 680             |
|   | 4.22   | Fork dimensions                         | s/e/l           | mm  | 51 x 160 x 1220 |
|   | 4.25   | Width across forks                      | b <sub>5</sub>  | mm  | 680             |
|   | 4.32   | Ground clearance centre of wheelbase    | m <sub>2</sub>  | mm  | 38              |
|   | 4.34.1 | Aisle width (pallet 1000x1200 sideways) | A <sub>st</sub> | mm  | 1610            |
|   | 4.34.2 | Aisle width (pallet 800x1200 length)    | A <sub>st</sub> | mm  | 1830            |
|   | 4.35   | Turning radius                          | W <sub>s</sub>  | mm  | 1410            |
| Performance data  | 5.3    | Lowering speed laden/unladen            |                 | m/s | 0.1 / 0.05      |
| - This data sheet according to VDI guideline 2198 only states the technical values of the standard truck. Different tyres, other masts, additional equipment etc. may result in different values. |        |   |                 |     |                 |

|                          |       |  |                 |    |               |
|--------------------------|-------|--|-----------------|----|---------------|
| Characteristic           | 1.1   | Manufacturer (abbreviated description) |                 |    | Jungheinrich  |
|                          | 1.2   | Manufacturer's type designation        |                 |    | <b>AM I20</b> |
|                          | 1.3   | Drive                                  |                 |    | Manual        |
|                          | 1.4   | Operation                              |                 |    | Manual        |
|                          | 1.5   | Load capacity/load                     | Q               | kg | 2000          |
|                          | 1.6   | Load centre distance                   | c               | mm | 610           |
|                          | 1.9   | Wheelbase                              | y               | mm | 1245          |
| Weights                  | 2.1   | Service weight                         |                 | kg | 78            |
|                          | 2.1.1 | Service weight (incl. battery)         |                 | kg | 78            |
| Wheels/suspension system | 3.1   | Tyres                                  |                 |    | V-GV          |
|                          | 3.2   | Tyre size, front                       |                 |    | Ø 200x50      |
|                          | 3.3   | Tyre size, rear                        |                 |    | Ø 80x90       |
|                          | 3.5   | Wheels, number front/back (x=driven)   |                 |    | 2/2           |
|                          | 3.6   | Tread width, front                     | b <sub>10</sub> | mm | 120           |
|                          | 3.7   | Tread width, rear                      | b <sub>11</sub> | mm | 520           |

|   |                |   |                 |      |                 |
|---|----------------|---|-----------------|------|-----------------|
| Basic dimensions  | 4.4            | Lift (h <sub>3</sub> )                  | h <sub>3</sub>  | mm   | 120             |
|   | 4.14           | Stand height, elevated                  | h <sub>12</sub> | mm   | 200             |
|   | 4.15           | Height, lowered                         | h <sub>13</sub> | mm   | 85              |
|   | 4.19           | Overall length                          | l <sub>1</sub>  | mm   | 1555            |
|   | 4.21.1         | Overall width                           | b <sub>1</sub>  | mm   | 680             |
|   | 4.22           | Fork dimensions                         | s/e/l           | mm   | 51 x 160 x 1220 |
|   | 4.25           | Width across forks                      | b <sub>5</sub>  | mm   | 680             |
|   | 4.32           | Ground clearance centre of wheelbase    | m <sub>2</sub>  | mm   | 38              |
|   | 4.34.1         | Aisle width (pallet 1000x1200 sideways) | Ast             | mm   | 1610            |
|   | 4.34.2         | Aisle width (pallet 800x1200 length)    | Ast             | mm   | 1830            |
| 4.35  | Turning radius | W <sub>a</sub>                          | mm              | 1410 |                 |
| Performance data  | 5.3            | Lowering speed laden/unladen            |                 | m/s  | 0.1 / 0.05      |
| - This data sheet according to VDI guideline 2198 only states the technical values of the standard truck. Different tyres, other masts, additional equipment etc. may result in different values. |                |   |                 |      |                 |

|                          |                |   |                 |      |                 |
|--------------------------|----------------|---|-----------------|------|-----------------|
| Characteristic           | 1.1            | Manufacturer (abbreviated description)  |                 |      | Jungheinrich    |
|                          | 1.2            | Manufacturer's type designation         |                 |      | <b>AM 120</b>   |
|                          | 1.3            | Drive                                   |                 |      | Manual          |
|                          | 1.4            | Operation                               |                 |      | Manual          |
|                          | 1.5            | Load capacity/load                      | Q               | kg   | 2000            |
|                          | 1.6            | Load centre distance                    | c               | mm   | 610             |
|                          | 1.9            | Wheelbase                               | y               | mm   | 1245            |
| Weights                  | 2.1            | Service weight                          |                 | kg   | 78              |
|                          | 2.1.1          | Service weight (incl. battery)          |                 | kg   | 78              |
| Wheels/suspension system | 3.1            | Tyres                                   |                 |      | V-BV            |
|                          | 3.2            | Tyre size, front                        |                 |      | Ø 200x50        |
|                          | 3.3            | Tyre size, rear                         |                 |      | Ø 80x90         |
|                          | 3.5            | Wheels, number front/back (x=driven)    |                 |      | 2/2             |
|                          | 3.6            | Tread width, front                      | b <sub>10</sub> | mm   | 120             |
|                          | 3.7            | Tread width, rear                       | b <sub>11</sub> | mm   | 520             |
| Basic dimensions         | 4.4            | Lift (h <sub>3</sub> )                  | h <sub>3</sub>  | mm   | 120             |
|                          | 4.14           | Stand height, elevated                  | h <sub>12</sub> | mm   | 200             |
|                          | 4.15           | Height, lowered                         | h <sub>13</sub> | mm   | 85              |
|                          | 4.19           | Overall length                          | l <sub>1</sub>  | mm   | 1555            |
|                          | 4.21.1         | Overall width                           | b <sub>1</sub>  | mm   | 680             |
|                          | 4.22           | Fork dimensions                         | s/e/l           | mm   | 51 x 160 x 1220 |
|                          | 4.25           | Width across forks                      | b <sub>5</sub>  | mm   | 680             |
|                          | 4.32           | Ground clearance centre of wheelbase    | m <sub>2</sub>  | mm   | 38              |
|                          | 4.34.1         | Aisle width (pallet 1000x1200 sideways) | Ast             | mm   | 1610            |
|                          | 4.34.2         | Aisle width (pallet 800x1200 length)    | Ast             | mm   | 1830            |
| 4.35                     | Turning radius | W <sub>a</sub>                          | mm              | 1410 |                 |

|                  |     |                              |     |            |
|------------------|-----|------------------------------|-----|------------|
| Performance data | 5.3 | Lowering speed laden/unladen | m/s | 0.1 / 0.05 |
|------------------|-----|------------------------------|-----|------------|

- This data sheet according to VDI guideline 2198 only states the technical values of the standard truck. Different tyres, other masts, additional equipment etc. may result in different values.

|                          |                |   |                 |               |                 |
|--------------------------|----------------|---|-----------------|---------------|-----------------|
| Characteristic           | 1.1            | Manufacturer (abbreviated description)  |                 | Jungheinrich  |                 |
|                          | 1.2            | Manufacturer's type designation         |                 | <b>AM 120</b> |                 |
|                          | 1.3            | Drive                                   |                 | Manual        |                 |
|                          | 1.4            | Operation                               |                 | Manual        |                 |
|                          | 1.5            | Load capacity/load                      | Q               | kg            | 2000            |
|                          | 1.6            | Load centre distance                    | c               | mm            | 610             |
|                          | 1.9            | Wheelbase                               | y               | mm            | 1245            |
| Weights                  | 2.1            | Service weight                          |                 | kg            | 81              |
|                          | 2.1.1          | Service weight (incl. battery)          |                 | kg            | 81              |
| Wheels/suspension system | 3.1            | Tyres                                   |                 |               | N-BN            |
|                          | 3.2            | Tyre size, front                        |                 |               | Ø 200x50        |
|                          | 3.3            | Tyre size, rear                         |                 |               | Ø 80x65         |
|                          | 3.5            | Wheels, number front/back (x=driven)    |                 |               | 2/2             |
|                          | 3.6            | Tread width, front                      | b <sub>10</sub> | mm            | 120             |
|                          | 3.7            | Tread width, rear                       | b <sub>11</sub> | mm            | 520             |
| Basic dimensions         | 4.4            | Lift (h <sub>3</sub> )                  | h <sub>3</sub>  | mm            | 120             |
|                          | 4.14           | Stand height, elevated                  | h <sub>12</sub> | mm            | 200             |
|                          | 4.15           | Height, lowered                         | h <sub>13</sub> | mm            | 85              |
|                          | 4.19           | Overall length                          | l <sub>1</sub>  | mm            | 1555            |
|                          | 4.21.1         | Overall width                           | b <sub>1</sub>  | mm            | 680             |
|                          | 4.22           | Fork dimensions                         | s/e/l           | mm            | 51 x 160 x 1220 |
|                          | 4.25           | Width across forks                      | b <sub>5</sub>  | mm            | 680             |
|                          | 4.32           | Ground clearance centre of wheelbase    | m <sub>2</sub>  | mm            | 38              |
|                          | 4.34.1         | Aisle width (pallet 1000x1200 sideways) | A <sub>st</sub> | mm            | 1610            |
|                          | 4.34.2         | Aisle width (pallet 800x1200 length)    | A <sub>st</sub> | mm            | 1830            |
| 4.35                     | Turning radius | W <sub>a</sub>                          | mm              | 1410          |                 |
| Performance data         | 5.3            | Lowering speed laden/unladen            | m/s             | 0.1 / 0.05    |                 |

- This data sheet according to VDI guideline 2198 only states the technical values of the standard truck. Different tyres, other masts, additional equipment etc. may result in different values.

The German production facilities in  
Norderstedt, Moosburg and Landsberg  
are certified.

ISO 9001  
ISO 14001

Jungheinrich fork lift trucks meet  
European safety requirements.



 **JUNGHEINRICH**

The Jungheinrich logo, featuring a red upward-pointing arrow above the word 'JUNGHEINRICH' in a bold, black, sans-serif font.