

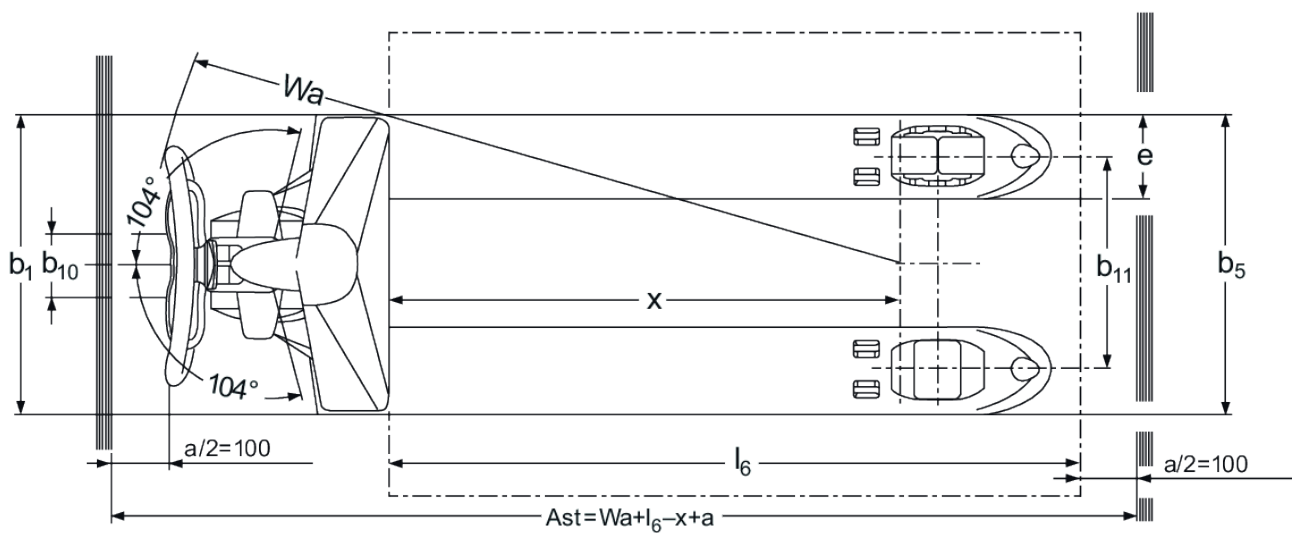
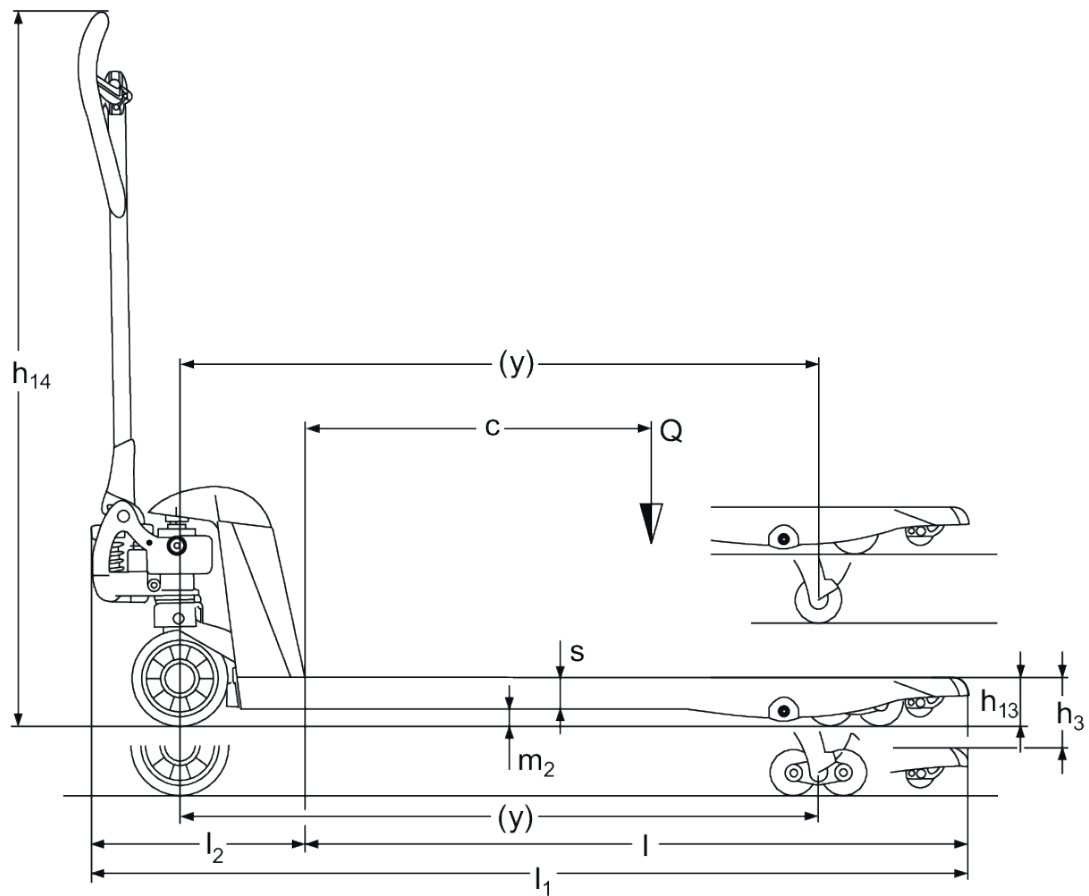


Hand pallet truck galvanized **AM G20**

Lift height: 122 mm / Load capacity: 2000 kg

 JUNGHEINRICH

AM G20



VDI table

Stand-on: 07/2022

Characteristic	1.1	Manufacturer (abbreviated description)	Jungheinrich																		
	1.2	Manufacturer's type designation	AM G20																		
	1.3	Drive	Manual																		
	1.4	Operation	Manual																		
	1.5	Load capacity/load	Q	kg																	
	1.6	Load centre distance	c	600			500	600	400		500	400	500	600							
	1.9	Wheelbase	y	1110	-	1110	910	-	755	-											
Weights	2.1	Service weight	kg	61	60	54	63	51	52	56	57	59	63								
	2.3	Axle load unladen front/rear	kg	38 / 20	-	38 / 20	-														
Wheels/suspension system	3.1	Tyres		N-GN	N-BN	V-BV	N-GN		N-BN	V-BV	N-BN	V-BV	N-GN	N-BN	V-BV	N-GN	N-BN	V-BV	N-GN	N-BN	V-BV
	3.2	Tyre size, front		∅ 170x50	-	∅ 170 x 50	∅ 170x50	-	∅ 170x50	-											
	3.3	Tyre size, rear		∅ 82x96	-	∅ 82 x 62	∅ 82x96	-	∅ 82x96	-											
	3.5	Wheels, number front/back (x=driven)		2/2	-	2/2	-	2/2	-												
	3.6	Tread width, front	b ₁₀	mm	109	-	109	-	109	-											
	3.7	Tread width, rear	b ₁₁	mm	370	-	370	-	370	-											
	Basic dimensions	4.4	Lift (h ₃)	h ₃	mm																
4.14		Stand height, elevated	h ₁₂	mm	205	-	205	-	205	-											
4.15		Height, lowered	h ₁₃	mm																	
4.19		Overall length	l ₁	mm	1520	-	1523	1320	-	1165	-										
4.20		Length including fork shank	l ₂	mm	373	-	373	-	373	-											
4.21.1		Overall width	b ₁	mm	520	-	520	-	520	-	520	-									
4.22		Fork dimensions	s/e/l	mm	53 x 150 x 1150	-	53 x 150 x 1150	53 x 150 x 950	-	53 x 150 x 795	-										
4.25		Width across forks	b ₅	mm	520			680	520			680									
4.32		Ground clearance centre of wheelbase	m ₂	mm	30	-	30	-	30	-											
4.34.1		Aisle width (pallet 1000x1200 sideways)	Ast	mm	1734	-	1734	1584	-	1584	-										
4.34.2		Aisle width (pallet 800x1200 length)	Ast	mm	1784	-	1784	-	1784	-											

	4.35	Turning radius	W _a mm	1274	-	1274	1074	-	919	-
Performance data	5.3	Lowering speed laden/unladen	m/s	0.09 / 0.02	-	0.09 / 0.02	-	0.09 / 0.02	-	-
<p>- This data sheet according to VDI guideline 2198 only states the technical values of the standard truck. Different tyres, other masts, additional equipment etc. may result in different values.</p>										

The German production facilities in
Norderstedt, Moosburg and Landsberg
are certified.

ISO 9001
ISO 14001

Jungheinrich fork lift trucks meet
European safety requirements.



 **JUNGHEINRICH**

The Jungheinrich logo, featuring a red upward-pointing arrow above the word 'JUNGHEINRICH' in a bold, black, sans-serif font.