

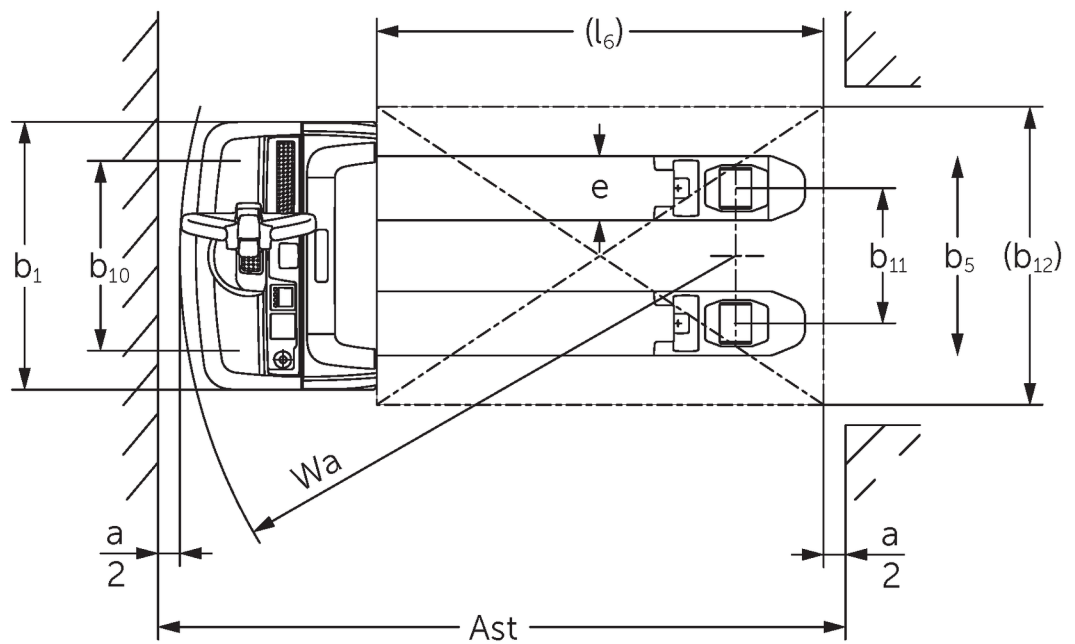
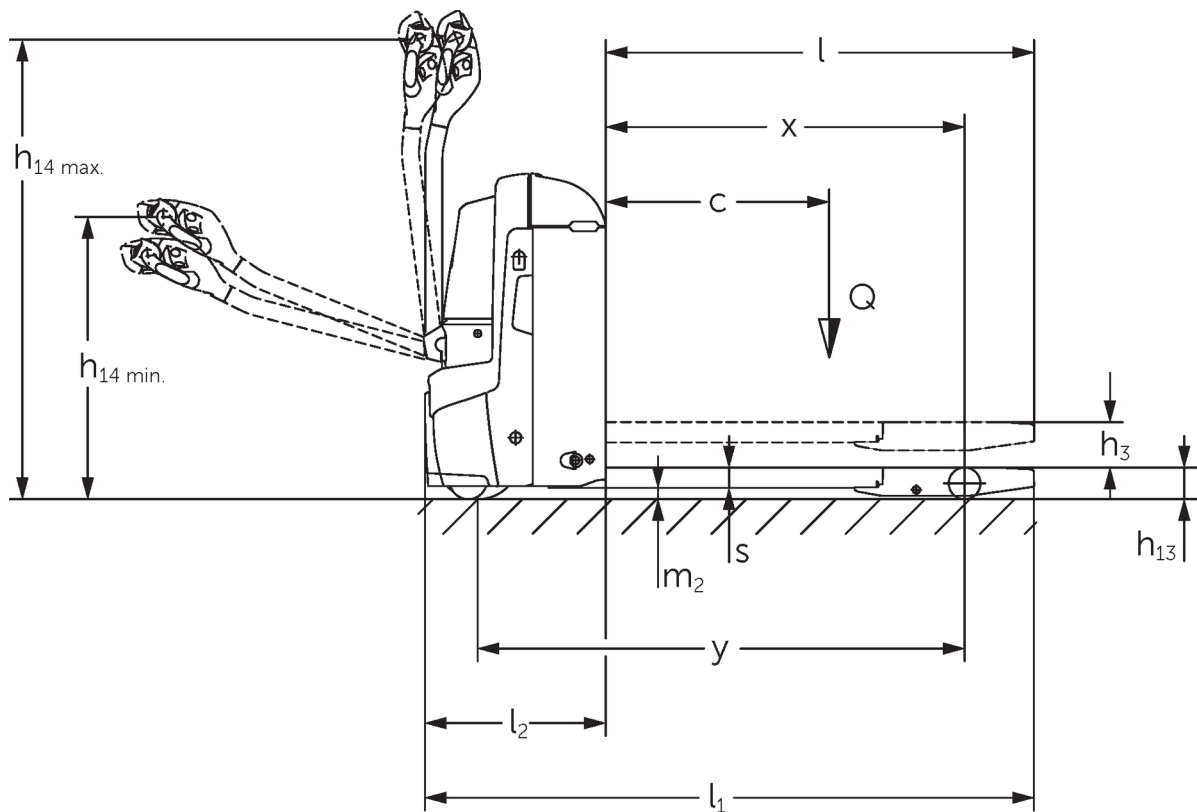


## **Electric pallet truck**

### **EJE 114-120**

**Lift height: 122 mm / Load capacity: 1400-2000 kg**

# EJE 114-120



Line drawings EJE

# VDI table

Stand-on: 08/2022

Characteristic	1.1	Manufacturer (abbreviated description)	Jungheinrich					
	1.2	Manufacturer's type designation	EJE 114	EJE 116	EJE 118	EJE 120		
	1.3	Drive	Electric					
	1.4	Operation	Pedestrian					
	1.5	Load capacity/load	Q	kg	1400	1600	1800	2000
	1.6	Load centre distance	c	mm	600			
	1.8	Load distance, centre of drive axle to fork	x	mm	908			
	1.9	Wheelbase	y	mm	1252			
Weights	2.1.1	Service weight (incl. battery)	kg		405	420		
	2.2	Axle load laden front/rear	kg		655 / 1150	695 / 1325	760 / 1460	785 / 1635
	2.3	Axle load unladen front/rear	kg		322 / 83	331 / 89		
Wheels/suspension system	3.1	Tyres	Polyurethane (PU)			-		
	3.2	Tyre size, front	Ø 230 x 70					
	3.3	Tyre size, rear	Ø 85 x 95 / 80 x 70 / 80 x 35			Ø 85 x 110 / 85 x 85 / 85 x 44		
	3.4	Additional wheels	Ø 100 x 40					
	3.5	Wheels, number front/back (x=driven)	1x +2/2 oder 4					
	3.6	Tread width, front	b <sub>10</sub>	mm	500	510		
	3.7	Tread width, rear	b <sub>11</sub>	mm	363			
Basic dimensions	4.4	Lift (h <sub>3</sub> )	h <sub>3</sub>		122			
	4.9	Height of tiller handle in drive position min./max.	mm		750 / 1237			
	4.15	Height, lowered	h <sub>13</sub>		85			
	4.19	Overall length	l <sub>1</sub>		1636			
	4.20	Length including fork shank	l <sub>2</sub>		486			
	4.21.1	Overall width	b <sub>1</sub>		720			
	4.22	Fork dimensions	s/ e/l	mm	55 x 150 x 1150	55 x 172 x 1150		
	4.25	Width across forks	b <sub>5</sub>		513	535		
	4.32	Ground clearance centre of wheelbase	m <sub>2</sub>		30			
	4.34.1	Aisle width (pallet 1000x1200 sideways)	Ast		2240			
	4.34.2	Aisle width (pallet 800x1200 length)	Ast		2128			
4.35	Turning radius	W <sub>a</sub>		1433				
Performance data	5.1	Travel speed laden/unladen	km/h		5 / 5	6 / 6		
	5.2	Lift speed laden/unladen	m/s		0.03 / 0.03	0.04 / 0.04		
	5.3	Lowering speed laden/unladen	m/s		0.05 / 0.04			
	5.8	Max. gradeability laden/unladen	%		8 / 20	10 / 20	9 / 20	8 / 20
	5.10	Service brake	generative					
E-motor/Electronics	6.1	Drive motor, performance S2 60 min	kW		0.9	1.1		
	6.2	Lift motor, performance with S3	kW		1.2			
	6.3	Battery according to DIN 43531/35/36	B					
	6.4	Battery voltage/nominal capacity	V / Ah		24 / 150			
	6.5	Battery weight	kg		151			
	6.6.1	Energy consumption according to EN cycle	kWh/h		0.32	0.31	0.3	0.34
	6.6.2	CO2 equivalent as per EN 16796	kg/h		0.2			
	6.7	Throughput	t/h		67	93	104	117
6.8.1	Energy consumption with max. throughput	kWh/h		0.49	0.66	0.62	0.7	

Other	8.1	Type of drive control		AC
	10.7	Sound level as per EN12053, operator's ear	dB (A)	61
<p>- This data sheet according to VDI guideline 2198 only states the technical values of the standard truck. Different tyres, other masts, additional equipment etc. may result in different values.</p>				

- VDI no. 4.33: lowered load section: + 50 mm
- VDI no. 1.8: 1.9: 4.35: lowered load section: + 56 mm
- VDI no. 4.33.4: lowered load section: + 68 mm
- VDI no. 1.9: 4.19: 4.19.1: 4.20: 4.33: 4.33.4: 4.35: with lateral battery exchange: M = S + 69 mm; L / M LBE = S + 141 mm; L LBE = S + 194 mm

The German production facilities in  
Norderstedt, Moosburg and Landsberg  
are certified.

ISO 9001  
ISO 14001

Jungheinrich fork lift trucks meet  
European safety requirements.



 **JUNGHEINRICH**

The Jungheinrich logo, featuring a red upward-pointing arrow above the word 'JUNGHEINRICH' in a bold, black, sans-serif font.