

LI-ION
technology

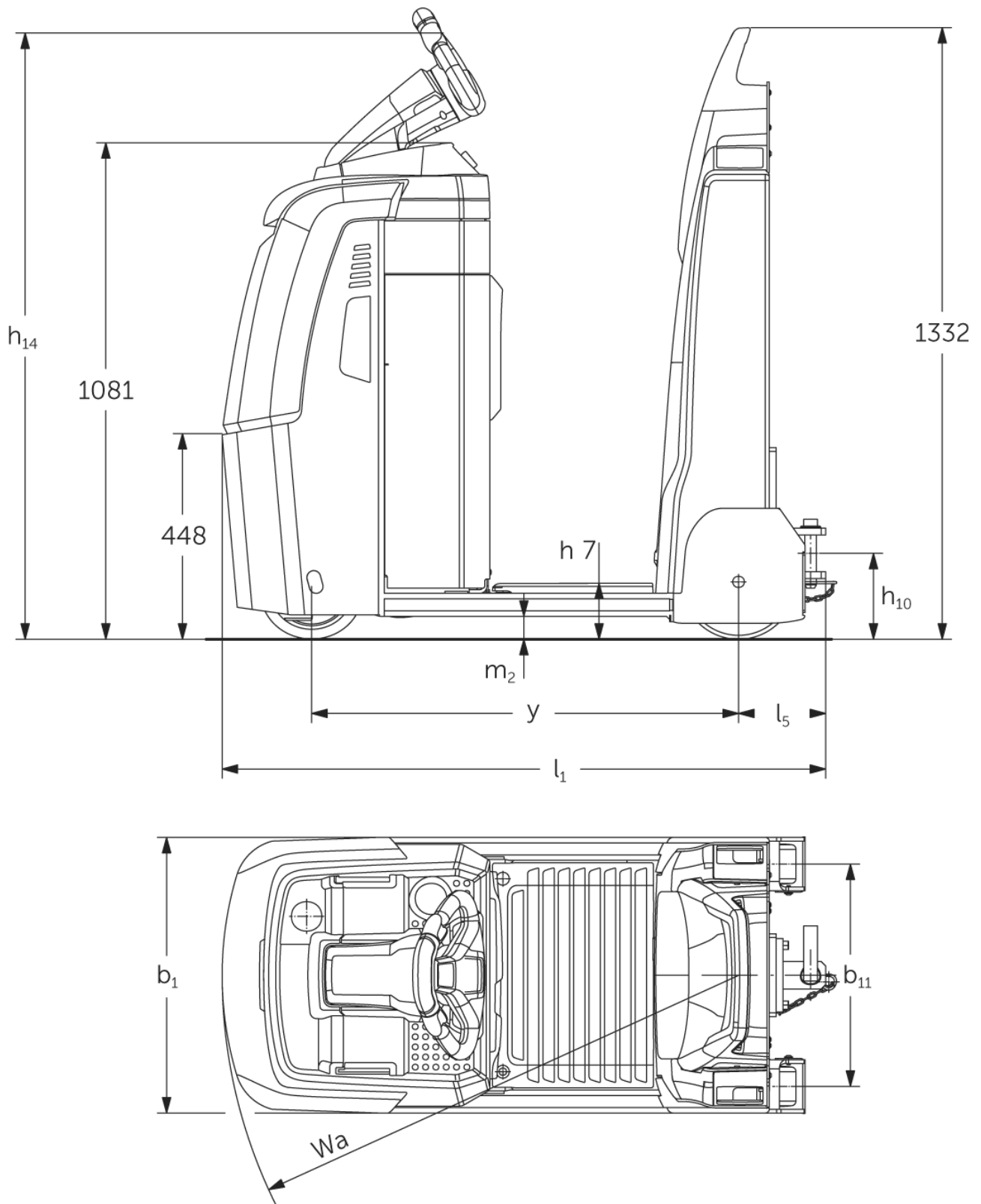


Electric tow tractor **EZS 130**

Towing capacity: 3000 kg

JUNGHEINRICH

EZS 130



EZS 130



VDI table

Stand-on: 08/2021

Characteristic	1.1	Manufacturer (abbreviated description)		Jungheinrich	
	1.2	Manufacturer's type designation		EZS 130	
	1.3	Drive		Electric	
	1.4	Operation		Stand-on	
	1.5.3	Towing capacity	Q	kg	3000
	1.7	Rated drawbar pull		N	600
	1.9	Wheelbase	y	mm	930
Weights	2.1.1	Service weight (incl. battery)		kg	525
	2.3	Axle load unladen front/rear		kg	320 / 205
Wheels/suspension system	3.1	Tyres			Polyurethane / Super-elastic
	3.2	Tyre size, front			ø230 x 78
	3.3	Tyre size, rear			ø250 x 80
	3.5	Wheels, number front/back (x=driven)			1 x / 2
	3.7	Tread width, rear	b ₁₁	mm	485
Basic dimensions	4.8	Seat height/stand height	h ₇	mm	122
	4.12	Coupling height	h ₁₀	mm	158
	4.19	Overall length	l ₁	mm	1315
	4.21.1	Overall width	b ₁	mm	600
	4.32	Ground clearance centre of wheelbase	m ₂	mm	50
	4.35	Turning radius	W _a	mm	1126
Performance data	5.1	Travel speed laden/unladen		km/h	9 / 10.5
	5.1.1	Reverse travel speed with/without load		km/h	4 / 4
	5.5	Drawbar pull laden/unladen		N	600 / 600
	5.6	Max. drawbar pull laden/unladen		N	2000 / 2000
	5.10	Service brake			electromagnetic/generative
E - motor/ Electronics	6.1	Drive motor, performance S2 60 min		kW	2.8
	6.4	Battery voltage/nominal capacity		V / Ah	24 / 200
	6.5	Battery weight		kg	185
	6.6.1	Energy consumption according to EN cycle		kWh/h	0.75
	6.6.2	CO2 equivalent as per EN 16796		kg/h	0.4
Other	8.1	Type of drive control			AC speedCONTROL
	10.5	Steering version			electric
	10.7	Sound level as per EN12053, operator's ear		dB (A)	57

- This data sheet according to VDI guideline 2198 only states the technical values of the standard truck. Different tyres, other masts, additional equipment etc. may result in different values.

- 4.9: Height of Jetpilot
- 4.12: With single plug-in coupling
- 4.19: Overall length including single plug-in coupling

The German production facilities in
Norderstedt, Moosburg and Landsberg
are certified.

ISO 9001
ISO 14001

Jungheinrich fork lift trucks meet
European safety requirements.



 **JUNGHEINRICH**