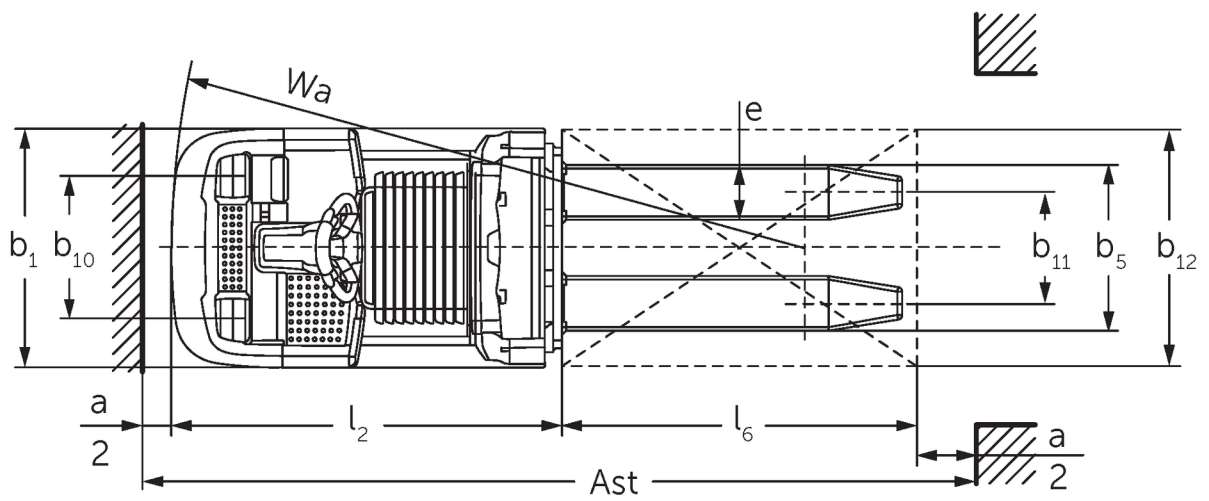
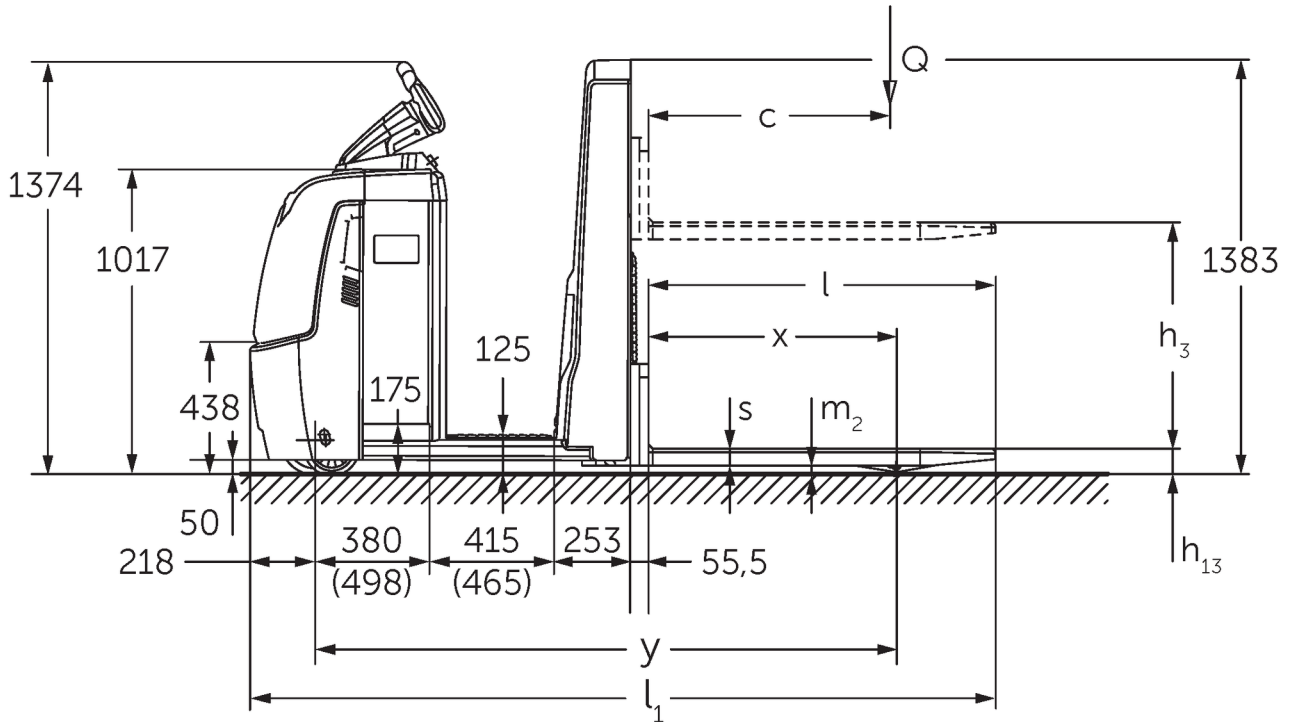




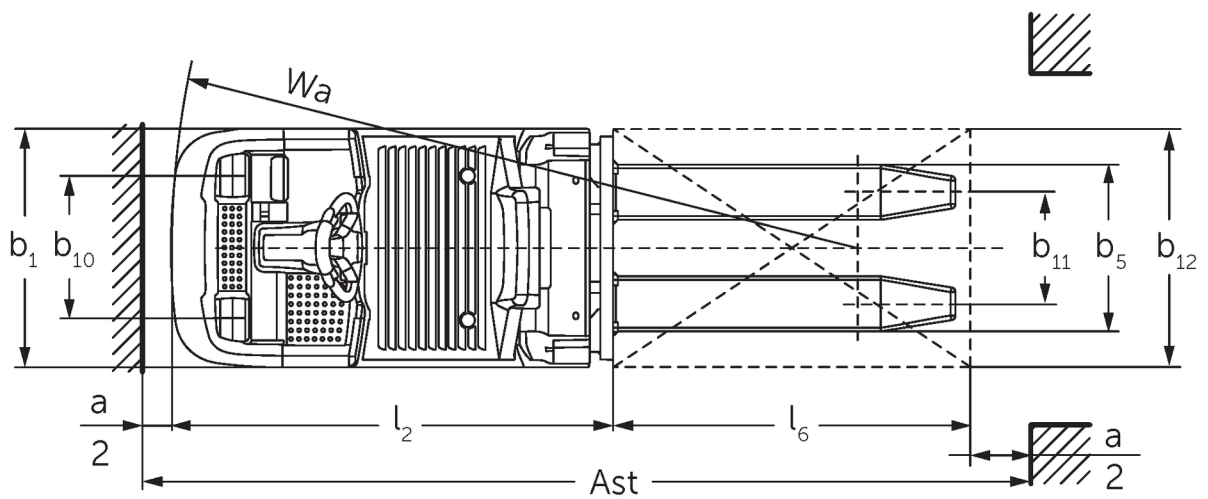
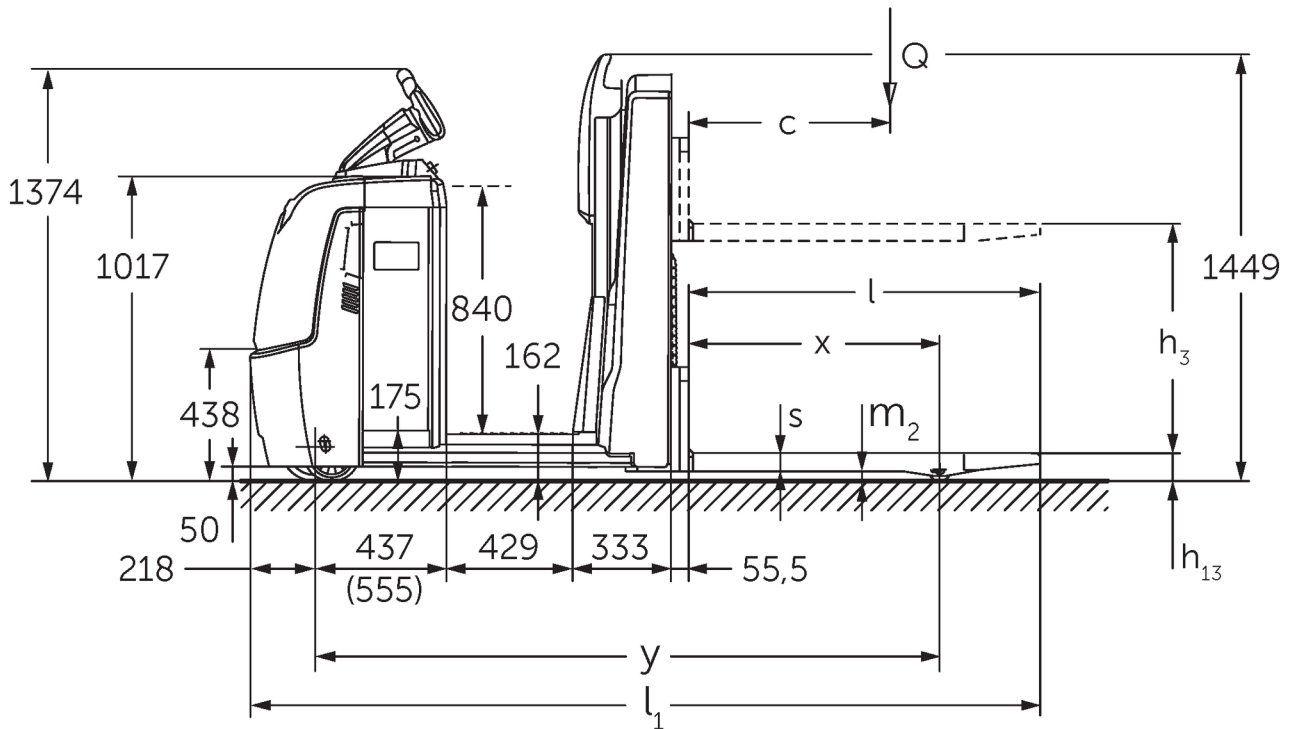
Low level order pickers **ECE 310**

Lift height: 750 mm / Load capacity: 1000 kg

ECE 310



ECE 310



VDI table

Stand-on: 08/2021

		Jungheinrich		
Characteristic	1.1	Manufacturer (abbreviated description)		
	1.2	Manufacturer's type designation	ECE 310	ECE 310 HP
	1.3	Drive	Electric	
	1.4	Operation	Order pickers	
	1.5	Load capacity/load	Q kg	1000
	1.6	Load centre distance	c mm	600
	1.8	Load distance, centre of drive axle to fork	x mm	821
	1.9	Wheelbase	y mm	1925 2075
	Weights	2.1.1	Service weight (incl. battery)	kg
2.2		Axle load laden front/rear	kg	839 / 1245 869 / 1405
2.3		Axle load unladen front/rear	kg	772 / 311 862 / 411
Wheels/suspension system	3.1	Tyres	PU	
	3.2	Tyre size, front	Ø 230 x 78	
	3.3	Tyre size, rear	Ø 75 x 95	
	3.4	Additional wheels	Ø 180 x 65	
	3.5	Wheels, number front/back (x=driven)	1+1x/2	
	3.6	Tread width, front	b ₁₀ mm	481
	3.7	Tread width, rear	b ₁₁ mm	339
	3.7.1	2. Tread width, rear	mm	379
Basic dimensions	4.4	Lift (h ₃)	h ₃ mm	750
	4.9	Height of tiller handle in drive position min./max.	mm	1374 / 1418
	4.15	Height, lowered	h ₁₃ mm	90
	4.19	Overall length	l ₁ mm	2471 2621
	4.20	Length including fork shank	l ₂ mm	1321 1471
	4.21.1	Overall width	b ₁ mm	810
	4.22	Fork dimensions	s/e/l mm	56 x 185 x 1150
	4.25	Width across forks	b ₅ mm	560
	4.32	Ground clearance centre of wheelbase	m ₂ mm	30
	4.34.1	Aisle width (pallet 800x1200 length)	Ast mm	2721 2871
	4.35	Turning radius	W _a mm	2142 2292
Performance data	5.1	Travel speed laden/unladen (Efficiency drivePLUS)	km/h	9.5 / 12.5 9.5 / 14
	5.2	Lift speed laden/unladen	m/s	0.17 / 0.33
	5.3	Lowering speed laden/unladen	m/s	0.19 / 0.19
	5.8	Max. gradeability laden/unladen (Efficiency drivePLUS)	%	6 / 15 6 / 15
	5.10	Service brake		generative
E-motor/Electronics	6.1	Drive motor, performance S2 60 min (Efficiency drivePLUS)	kW	2.8 3.2
	6.2	Lift motor, performance with S3	kW	1.5
	6.4	Battery voltage/nominal capacity	V / Ah	24 / 465
	6.5	Battery weight	kg	370
	6.6.1	Energy consumption according to EN cycle (Efficiency PLUS)	kWh/h	0.4 0.47
	6.6.2	CO2 equivalent as per EN 16796 (Efficiency PLUS)	kg/h	0.2 0.3
	6.7	Throughput (Efficiency PLUS)	t/h	65 68 64 67
	6.8.1	Energy consumption with max. throughput (Efficiency PLUS)	kWh/h	1.27 1.47 1.28 1.47

Other	8.1	Type of drive control		AC
	10.5	Steering version		electric
	10.7	Sound level as per EN12053, operator's ear	dB (A)	62
<p>- This data sheet according to VDI guideline 2198 only states the technical values of the standard truck. Different tyres, other masts, additional equipment etc. may result in different values.</p>				

Efficiency: Werte Standardpaket | PLUS: Werte Leistungspaket

Values for L battery compartment; fork length 1,150 mm.

- VDI no. 1.9: with XL or XL (ERE) battery compartment: $y + 118$ mm; with extended stand-on platform: $y + 50$ mm.
- VDI no. 4.19: with XL or XL (ERE) battery compartment: $l1 + 118$ mm; with extended stand-on platform: $l1 + 50$ mm.
- VDI no. 4.20: with XL or XL (ERE) battery compartment: $l2 + 118$ mm; with extended stand-on platform: $l2 + 50$ mm.
- VDI no. 4.34.1: with XL or XL (ERE) battery compartment: working aisle width (Ast) + 118 mm; with extended stand-on platform: working aisle width (Ast) + 50 mm; diagonal as per VDI: working aisle width (Ast) + 94 mm.
- VDI no. 4.35: with XL or XL (ERE) battery compartment: $Wa + 118$ mm; with extended stand-on platform: $Wa + 50$ mm.
- VDI no. 6.2: with S3 10%.
- VDI no. 6.4: with XL battery compartment: 24 V / 620 Ah.
- VDI no. 6.5: with XL battery compartment: 460 kg.

The German production facilities in
Norderstedt, Moosburg and Landsberg
are certified.

ISO 9001
ISO 14001

Jungheinrich fork lift trucks meet
European safety requirements.



 **JUNGHEINRICH**

The Jungheinrich logo, featuring a red upward-pointing arrow above the word 'JUNGHEINRICH' in a bold, black, sans-serif font.