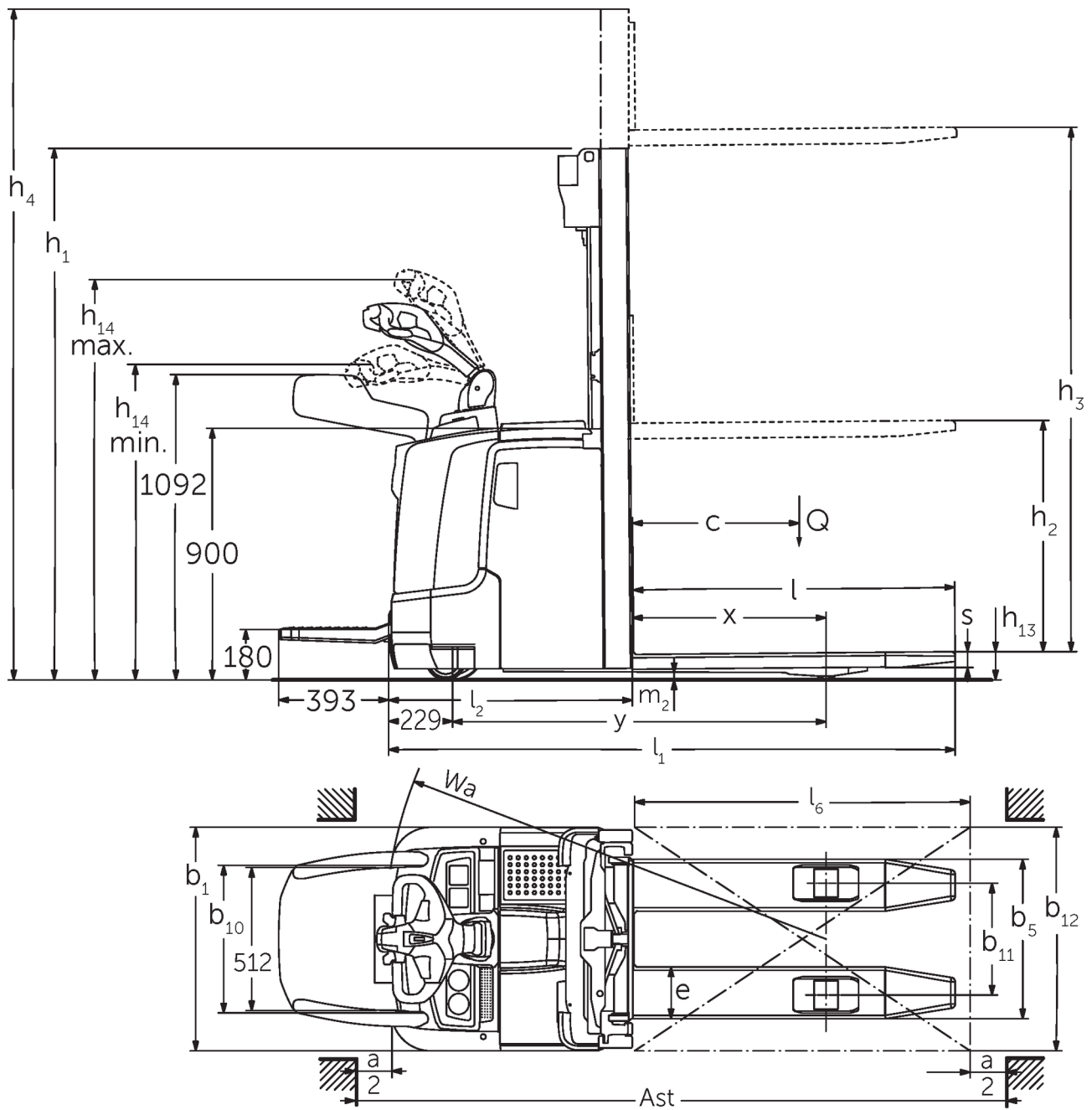




## **Electric pedestrian stacker** **ERC 212-220**

**Lift height: 2400-6000 mm / Load capacity: 1200-2000 kg**

# ERC 212-220



Dimensional drawing ERC 2

# ERC 212-220

| ERC 212          | Lift (h3)      | Retracted mast height (h1) | Free lift (h2) | Extended mast height (h4) |
|------------------|----------------|----------------------------|----------------|---------------------------|
| Duplex mast ZT   | 2500 mm        | 1750 mm                    | 100 mm         | 2975 mm                   |
|                  | 2700 mm        | 1850 mm                    | 100 mm         | 3175 mm                   |
|                  | 2900 mm        | 1950 mm                    | 100 mm         | 3375 mm                   |
|                  | 3200 mm        | 2100 mm                    | 100 mm         | 3675 mm                   |
|                  | 3600 mm        | 2300 mm                    | 100 mm         | 4075 mm                   |
|                  | 4100 mm        | 2550 mm                    | 100 mm         | 4575 mm                   |
|                  | 4300 mm        | 2650 mm                    | 100 mm         | 4775 mm                   |
| Duplex mast ZZ   | 2500 mm        | 1700 mm                    | 1225 mm        | 2975 mm                   |
|                  | 2900 mm        | 1900 mm                    | 1425 mm        | 3375 mm                   |
|                  | 3200 mm        | 2050 mm                    | 1575 mm        | 3675 mm                   |
|                  | 3600 mm        | 2250 mm                    | 1775 mm        | 4075 mm                   |
|                  | 4100 mm        | 2500 mm                    | 2025 mm        | 4575 mm                   |
|                  | 4300 mm        | 2600 mm                    | 2125 mm        | 4775 mm                   |
| Triplex mast DZ  | 4090 mm        | 1845 mm                    | 1338 mm        | 4597 mm                   |
|                  | 4300 mm        | 1915 mm                    | 1408 mm        | 4807 mm                   |
|                  | 4700 mm        | 2050 mm                    | 1543 mm        | 5207 mm                   |
| ERC 214          | Lift (h3)      | Retracted mast height (h1) | Free lift (h2) | Extended mast height (h4) |
| Duplex mast ZT   | 2500 mm        | 1750 mm                    | 100 mm         | 2975 mm                   |
|                  | 2700 mm        | 1850 mm                    | 100 mm         | 3175 mm                   |
|                  | 2900 mm        | 1950 mm                    | 100 mm         | 3375 mm                   |
|                  | 3200 mm        | 2100 mm                    | 100 mm         | 3675 mm                   |
|                  | 3600 mm        | 2300 mm                    | 100 mm         | 4075 mm                   |
|                  | 4100 mm        | 2550 mm                    | 100 mm         | 4575 mm                   |
|                  | 4300 mm        | 2650 mm                    | 100 mm         | 4775 mm                   |
|                  | 4500 mm        | 2750 mm                    | 100 mm         | 4975 mm                   |
|                  | Duplex mast ZZ | 2500 mm                    | 1700 mm        | 1225 mm                   |
| 2900 mm          |                | 1900 mm                    | 1425 mm        | 3375 mm                   |
| 3200 mm          |                | 2050 mm                    | 1575 mm        | 3675 mm                   |
| 3600 mm          |                | 2250 mm                    | 1775 mm        | 4075 mm                   |
| 4100 mm          |                | 2500 mm                    | 2025 mm        | 4575 mm                   |
| 4300 mm          |                | 2600 mm                    | 2125 mm        | 4775 mm                   |
| Triplex mast DZ  | 4090 mm        | 1830 mm                    | 1341 mm        | 4579 mm                   |
|                  | 4300 mm        | 1900 mm                    | 1411 mm        | 4789 mm                   |
|                  | 4690 mm        | 2030 mm                    | 1541 mm        | 5179 mm                   |
|                  | 5350 mm        | 2250 mm                    | 1761 mm        | 5839 mm                   |
| ERC 214, ERC 216 | Lift (h3)      | Retracted mast height (h1) | Free lift (h2) | Extended mast height (h4) |
| Triplex mast DZ  | 6000 mm        | 2500 mm                    | 1968 mm        | 6532 mm                   |
| ERC 216          | Lift (h3)      | Retracted mast height (h1) | Free lift (h2) | Extended mast height (h4) |
| Duplex mast ZT   | 2400 mm        | 1750 mm                    | 100 mm         | 2925 mm                   |
|                  | 2600 mm        | 1850 mm                    | 100 mm         | 3125 mm                   |
|                  | 2800 mm        | 1950 mm                    | 100 mm         | 3325 mm                   |
|                  | 3100 mm        | 2100 mm                    | 100 mm         | 3625 mm                   |
|                  | 3500 mm        | 2300 mm                    | 100 mm         | 4025 mm                   |
|                  | 3800 mm        | 2450 mm                    | 100 mm         | 4325 mm                   |
|                  | 4000 mm        | 2550 mm                    | 100 mm         | 4525 mm                   |
|                  | 4200 mm        | 2650 mm                    | 100 mm         | 4725 mm                   |
|                  | 4400 mm        | 2750 mm                    | 100 mm         | 4925 mm                   |

|                 |                  |                                   |                       |                                  |
|-----------------|------------------|-----------------------------------|-----------------------|----------------------------------|
| Duplex mast ZZ  | <b>2400 mm</b>   | <b>1700 mm</b>                    | <b>1175 mm</b>        | <b>2925 mm</b>                   |
|                 | 2800 mm          | 1900 mm                           | 1375 mm               | 3325 mm                          |
|                 | 3100 mm          | 2050 mm                           | 1525 mm               | 3625 mm                          |
|                 | 3500 mm          | 2250 mm                           | 1725 mm               | 4025 mm                          |
|                 | 4000 mm          | 2500 mm                           | 1975 mm               | 4525 mm                          |
|                 | 4200 mm          | 2600 mm                           | 2075 mm               | 4725 mm                          |
| Triplex mast DZ | <b>3990 mm</b>   | <b>1830 mm</b>                    | <b>1298 mm</b>        | <b>4522 mm</b>                   |
|                 | 4200 mm          | 1900 mm                           | 1368 mm               | 4732 mm                          |
|                 | 4590 mm          | 2030 mm                           | 1498 mm               | 5122 mm                          |
|                 | 5250 mm          | 2250 mm                           | 1718 mm               | 5782 mm                          |
| <b>ERC 220</b>  | <b>Lift (h3)</b> | <b>Retracted mast height (h1)</b> | <b>Free lift (h2)</b> | <b>Extended mast height (h4)</b> |
| Duplex mast ZT  | <b>2540 mm</b>   | <b>1950 mm</b>                    | <b>100 mm</b>         | <b>3195 mm</b>                   |
|                 | 2840 mm          | 2100 mm                           | 100 mm                | 3495 mm                          |
|                 | 3540 mm          | 2450 mm                           | 100 mm                | 4195 mm                          |
| Duplex mast ZZ  | <b>2540 mm</b>   | <b>1900 mm</b>                    | <b>1245 mm</b>        | <b>3195 mm</b>                   |
|                 | 2840 mm          | 2050 mm                           | 1395 mm               | 3495 mm                          |
|                 | 3540 mm          | 2400 mm                           | 1745 mm               | 4195 mm                          |
| Triplex mast DZ | <b>3750 mm</b>   | <b>1900 mm</b>                    | <b>1218 mm</b>        | <b>4432 mm</b>                   |
|                 | 4200 mm          | 2050 mm                           | 1368 mm               | 4882 mm                          |
|                 | 4800 mm          | 2250 mm                           | 1568 mm               | 5482 mm                          |

# VDI table

Stand-on: 08/2021

| Characteristic           | Item    | Description  | Unit                           | Jungheinrich      |                  |                  |                 |
|--------------------------|---------|--|--------------------------------|-------------------|------------------|------------------|-----------------|
|                          |         |  |                                | ERC 212           | ERC 214          | ERC 216          | ERC 220         |
| Characteristic           | 1.1     | Manufacturer (abbreviated description)                       |                                | Jungheinrich      |                  |                  |                 |
|                          | 1.2     | Manufacturer's type designation                              |                                | ERC 212           | ERC 214          | ERC 216          | ERC 220         |
|                          | 1.3     | Drive  |                                | Electric          |                  |                  |                 |
|                          | 1.4     | Operation  |                                | Pedestrian        |                  |                  |                 |
|                          | 1.5     | Load capacity/load   | Q kg                           | 1200              | 1400             | 1600             | 2000            |
|                          | 1.6     | Load centre distance   | c mm                           | 600               |                  |                  |                 |
|                          | 1.8     | Load distance, centre of drive axle to fork                  | x mm                           | 688               | 667              |                  |                 |
|                          | 1.9     | Wheelbase  | y mm                           | 1264              |                  |                  | 1336            |
|                          | Weights | 2.1.1  | Service weight (incl. battery) | kg                | 1130             | 1200             | 1220            |
| 2.2                      |         | Axle load laden front/rear                                   | kg                             | 890 / 1440        | 960 / 1640       | 980 / 1840       | 983 / 2332      |
| 2.3                      |         | Axle load unladen front/rear                                 | kg                             | 830 / 300         | 880 / 320        | 890 / 330        | 924 / 392       |
| Wheels/suspension system | 3.1     | Tyres  |                                | PU                |                  |                  |                 |
|                          | 3.2     | Tyre size, front   |                                | Ø 230 x 77        |                  |                  |                 |
|                          | 3.3     | Tyre size, rear  |                                | Ø 85 x 110 / 85   |                  | Ø 85 x 85        |                 |
|                          | 3.4     | Additional wheels  |                                | Ø 140 x 54        |                  |                  |                 |
|                          | 3.5     | Wheels, number front/back (x=driven)                         |                                | 1x +1/2           |                  | 1x +1/4          |                 |
|                          | 3.6     | Tread width, front   | b <sub>10</sub> mm             | 515               |                  |                  |                 |
|                          | 3.7     | Tread width, rear  | b <sub>11</sub> mm             | 400               |                  |                  |                 |
| Basic dimensions         | 4.2     | Retracted mast height (h1)                                   | h <sub>1</sub> mm              | 1950              |                  | 2100             |                 |
|                          | 4.3     | Free lift (h2)   | h <sub>2</sub> mm              | 100               |                  |                  |                 |
|                          | 4.4     | Lift (h3)  | h <sub>3</sub> mm              | 2900              | 2800             |                  | 2840            |
|                          | 4.5     | Extended mast height (h4)                                    | h <sub>4</sub> mm              | 3375              | 3325             |                  | 3495            |
|                          | 4.9     | Height of tiller handle in drive position min./max.          | mm                             | 1170 / 1390       |                  |                  |                 |
|                          | 4.15    | Height, lowered  | h <sub>13</sub> mm             | 90                |                  |                  |                 |
|                          | 4.19    | Overall length   | l <sub>1</sub> mm              | 1955              | 1976             | 2048             |                 |
|                          | 4.20    | Length including fork shank                                  | l <sub>2</sub> mm              | 805               | 826              | 898              |                 |
|                          | 4.21.1  | Overall width  | b <sub>1</sub> mm              | 800               |                  |                  |                 |
|                          | 4.22    | Fork dimensions  | s/<br>e/l mm                   | 56 x 185 x 1150   |                  |                  |                 |
|                          | 4.25    | Width across forks   | b <sub>5</sub> mm              | 570               |                  |                  |                 |
|                          | 4.32    | Ground clearance centre of wheelbase                         | m <sub>2</sub> mm              | 28                |                  | 18               |                 |
|                          | 4.34    | Aisle width (pallet 1000x1200 sideways)                      | Ast mm                         | 2170              | 2191             | 2263             |                 |
|                          | 4.34.1  | Aisle width (pallet 800x1200 length)                         | Ast mm                         | 2220              | 2241             |                  | 2313            |
|                          | 4.35    | Turning radius   | W <sub>a</sub> mm              | 1508              |                  |                  | 1580            |
| Performance data         | 5.1     | Travel speed laden/unladen (Efficiency   drivePLUS)          | km/h                           | 6 / 6   9 / 11    |                  |                  | 6 / 6   8 / 10  |
|                          | 5.2     | Lift speed laden/unladen                                     | m/s                            | 0.2 / 0.4         | 0.16 / 0.3       | 0.15 / 0.3       | 0.11 / 0.34     |
|                          | 5.3     | Lowering speed laden/unladen                                 | m/s                            | 0.45 / 0.35       |                  |                  | 0.5 / 0.35      |
|                          | 5.8     | Max. gradeability laden/unladen (Efficiency   drivePLUS)     | %                              | 10 / 16   10 / 20 | 9 / 16   10 / 20 | 8 / 16   10 / 20 | 5 / 16   6 / 16 |
|                          | 5.10    | Service brake  |                                | generative        |                  |                  |                 |
| E-motor/Electronics      | 6.1     | Drive motor, performance S2 60 min (Efficiency   drivePLUS)  | kW                             | 2.8   3.2         |                  |                  |                 |
|                          | 6.2     | Lift motor, performance with S3                              | kW                             | 3                 |                  |                  |                 |
|                          | 6.3     | Battery according to DIN 43531/35/36                         |                                | DIN 43535 B       |                  |                  |                 |
|                          | 6.4     | Battery voltage/nominal capacity                             | V / Ah                         | 24 / 300          |                  |                  | 24 / 375        |
|                          | 6.5     | Battery weight   | kg                             | 238               |                  |                  | 273             |
|                          | 6.6.1   | Energy consumption according to EN cycle (Efficiency   PLUS) | kWh/h                          | 0.63   0.64       | 0.81   0.76      | 0.86   0.83      | 1.07   0        |

|  |       |   |        |             |             |             |          |
|--|-------|---|--------|-------------|-------------|-------------|----------|
|  | 6.6.2 | CO2 equivalent as per EN 16796 (Efficiency   PLUS)            | kg/h   | 0.3   0.3   | 0.4   0.4   | 0.5   0.4   | -        |
|  | 6.7   | Throughput (Efficiency   PLUS)                                | t/h    | 56   57     | 64   65     | 71   73     | 85   0   |
|  | 6.8   | Turnover efficiency according to VDI 2198 (Efficiency   PLUS) | kWh/h  | 0.63   0.64 | 0.81   0.76 | 0.86   0.83 | 1.07   0 |
|  | 6.8.1 | Energy consumption with max. throughput (Efficiency   PLUS)   | kWh/h  | 1.63   1.65 | 1.65   1.64 | 1.67   1.65 | 2.13   0 |
| Other  | 8.1   | Type of drive control   |        | AC          |             |             |          |
|  | 10.7  | Sound level as per EN12053, operator's ear                    | dB (A) | 64          |             |             |          |
| <p>- This data sheet according to VDI guideline 2198 only states the technical values of the standard truck. Different tyres, other masts, additional equipment etc. may result in different values.</p> |       |   |        |             |             |             |          |

Efficiency: Werte Standardpaket | PLUS: Werte Leistungspaket

Values for M-VBE battery compartment (ERC 212 / 214 / 216), L-LBE (ERC 220); mast ZT2800 / 2840 / 2900 mm.

- VDI no. 1.8 with ERC 212 / 214 / 216: with DZ mast: x - 42 mm.

- VDI no. 1.8 with ERC 220: with DZ mast: x - 1 mm.

- VDI no. 1.9 with ERC 212 / 214 / 216: with L-VBE or L-LBE battery compartment: y + 72 mm.

- VDI no. 1.9 with ERC 220: with DZ mast: y + 70 mm.

- VDI no. 3.3: tandem: Ø 85 x 75 mm.

- VDI no. 4.19 with ERC 212 / 214 / 216: with DZ mast: l1 + 42 mm; with L-VBE or L-LBE battery compartment: l1 + 72 mm.

- VDI no. 4.19 with ERC 220: with DZ mast: l1 + 71 mm.

- VDI no. 4.20 with ERC 212 / 214 / 216: with DZ mast: l2 + 42 mm; with L-VBE or L-LBE battery compartment: l2 + 72 mm.

- VDI no. 4.20 with ERC 220: with DZ mast: l2 + 71 mm.

- VDI no. 4.34 with ERC 212 / 214 / 216: diagonal as per VDI: working aisle width (Ast) + 215 mm; with L-VBE or L-LBE battery compartment: working aisle width (Ast) + 72 mm; with DZ mast: working aisle width (Ast) + 42 mm.

- VDI no. 4.34 with ERC 220: diagonal as per VDI: working aisle width (Ast) + 215 mm; with DZ mast: working aisle width (Ast) + 71 mm.

- VDI no. 4.34.1 with ERC 212 / 214 / 216: diagonal as per VDI: working aisle width (Ast) + 138 mm; with L-VBE or L-LBE battery compartment: working aisle width (Ast) + 72 mm; with DZ mast: working aisle width (Ast) + 42 mm.

- VDI no. 4.34.1 with ERC 220: diagonal as per VDI: working aisle width (Ast) + 138 mm; with DZ mast: working aisle width (Ast) + 71 mm.

- VDI no. 4.35 with ERC 212 / 214 / 216: with L-VBE or L-LBE battery compartment: Wa + 72 mm.

- VDI no. 4.35 with ERC 220: with DZ mast: Wa + 70 mm.

- VDI no. 5.1: with Efficiency performance package without operator restraint system: 6.0 / 6.0 km/h; with operator restraint system: 9.0 / 9.0 km/h.

- VDI no. 5.3: with ZZ / DZ mast: the lowering speed in free lift is below the specified values.

The German production facilities in  
Norderstedt, Moosburg and Landsberg  
are certified.

ISO 9001  
ISO 14001

Jungheinrich fork lift trucks meet  
European safety requirements.



 **JUNGHEINRICH**

The Jungheinrich logo, featuring a red upward-pointing arrow above the word 'JUNGHEINRICH' in a bold, black, sans-serif font.