

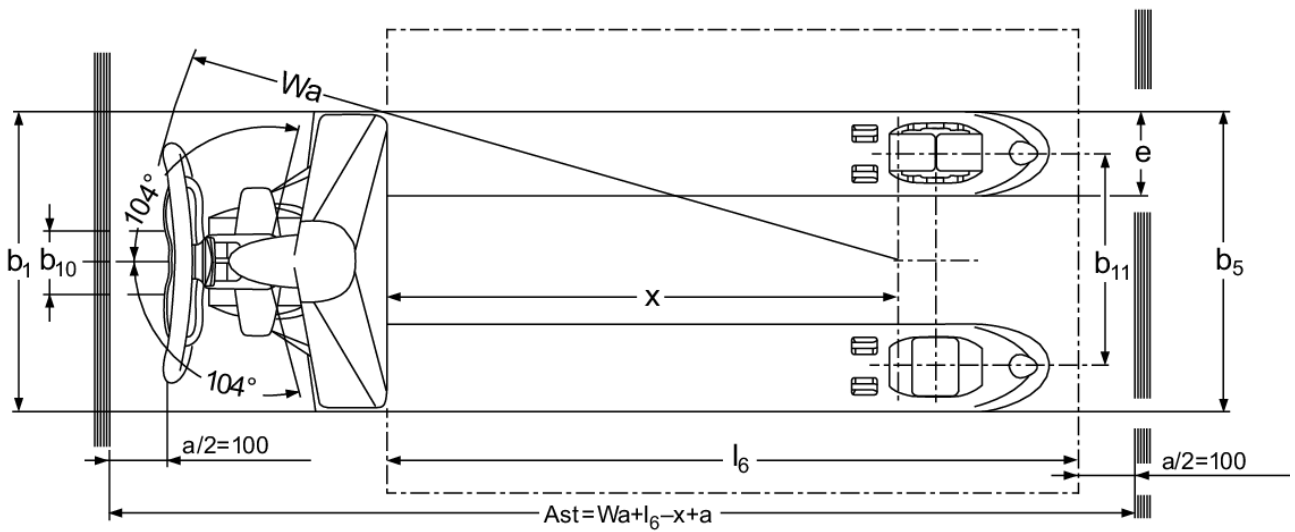
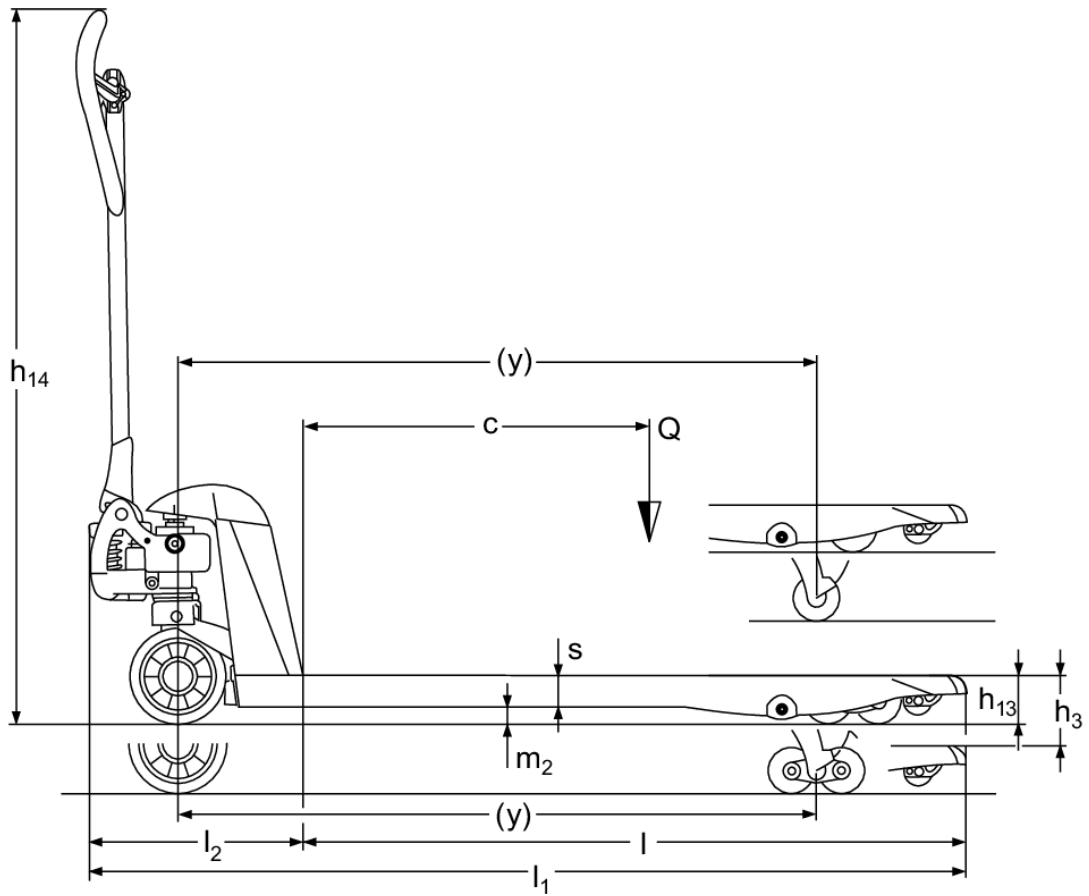


Hand pallet truck galvanised **AM G20**

Lift height: 122 mm / Load capacity: 2000 kg

JUNGHEINRICH

AM G20



VDI table

Stand-on: 02/2021

Characteristic	1.1	Manufacturer (abbreviated description)	Jungheinrich														
	1.2	Manufacturer's type designation	AM G20														
	1.3	Drive	Manual														
	1.4	Operation	Manual														
	1.5	Load capacity/load	Q	kg													
	1.6	Load centre distance	c	600		500	600	400		500	400	500	600				
	1.9	Wheelbase	y	1110	-	1110	910	-	755	-							
Weights	2.1	Service weight	kg		61	60		54	63	51	52	56	57	59	63		
	2.3	Axle load unladen front/rear	kg		38 / 20	-	38 / 20	-									
Wheels/suspension system	3.1	Tyres	Nylon		V		Nylon		V	Nylon	V	Nylon	V	Nylon	V	Nylon	V
	3.2	Tyre size, front	∅ 170x50	-	∅ 170 x 50	∅ 170x50	-	∅ 170x50	-								
	3.3	Tyre size, rear	∅ 82x96	-	∅ 82 x 62	∅ 82x96	-	∅ 82x96	-								
	3.5	Wheels, number front/back (x=driven)	2/2		-	2/2		-	2/2		-						
	3.6	Tread width, front	b ₁₀	mm		109	-	109	-	109		-					
	3.7	Tread width, rear	b ₁₁	mm		370	-	370	-	370		-					
	Basic dimensions	4.4	Lift (h ₃)	h ₃		mm											
4.9		Height of tiller handle in drive position min./max.	mm		1234	-	1234	-	1234		-						
4.14		Stand height, elevated	h ₁₂		mm		205	-	205		-	-					
4.15		Height, lowered	h ₁₃		mm												
4.19		Overall length	l ₁		mm		1520	-	1523	1320	-	1165		-			
4.20		Length including fork shank	l ₂		mm		373	-	373		-	373		-			
4.21.1		Overall width	b ₁		mm		520	-	520		-	520	-				
4.22		Fork dimensions	s/e/l	mm		53 / 150 / 1150	150 / 1150	53 / 150 / 1150	53 / 150 / 950	150 / 1150	53 / 150 / 795	150 / 795	150 / 950	150 / 795	150 / 950	150 / 1150	
4.25		Width across forks	b ₅		mm		520			680	520		680				
4.32		Ground clearance centre of wheelbase	m ₂		mm		30	-	30		-	30		-			
4.34		Aisle width (pallet 1000x1200 sideways)	Ast		mm		1734	-	1734	1584	-	1584		-			
4.34.1	Aisle width (pallet 800x1200 length)	Ast		mm		1784	-	1784		-	1784		-				

	4.35	Turning radius	W_a mm	1274	-	1274	1074	-	919	-
Performance data	5.3	Lowering speed laden/unladen	m/s	0.09 / 0.02	-	0.09 / 0.02	-	0.09 / 0.02	-	-
<p>- This data sheet according to VDI guideline 2198 only states the technical values of the standard truck. Different tyres, other masts, additional equipment etc. may result in different values.</p>										

The German production facilities in
Norderstedt, Moosburg and Landsberg
are certified.

ISO 9001
ISO 14001

Jungheinrich fork lift trucks meet
European safety requirements.



 **JUNGHEINRICH**

The Jungheinrich logo, featuring a red upward-pointing arrow above the word 'JUNGHEINRICH' in a bold, black, sans-serif font.