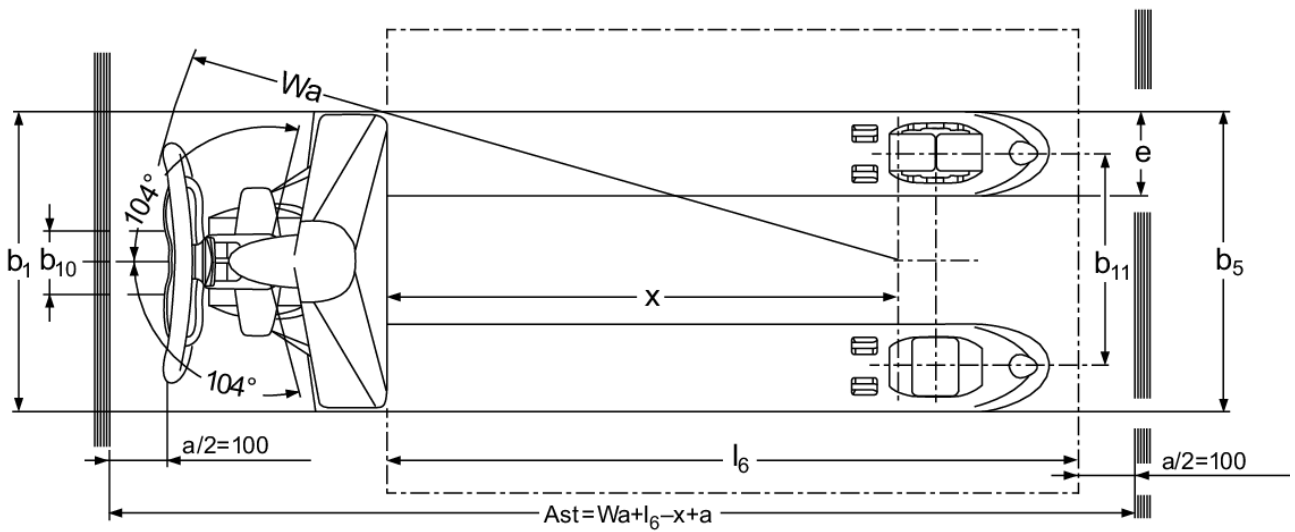
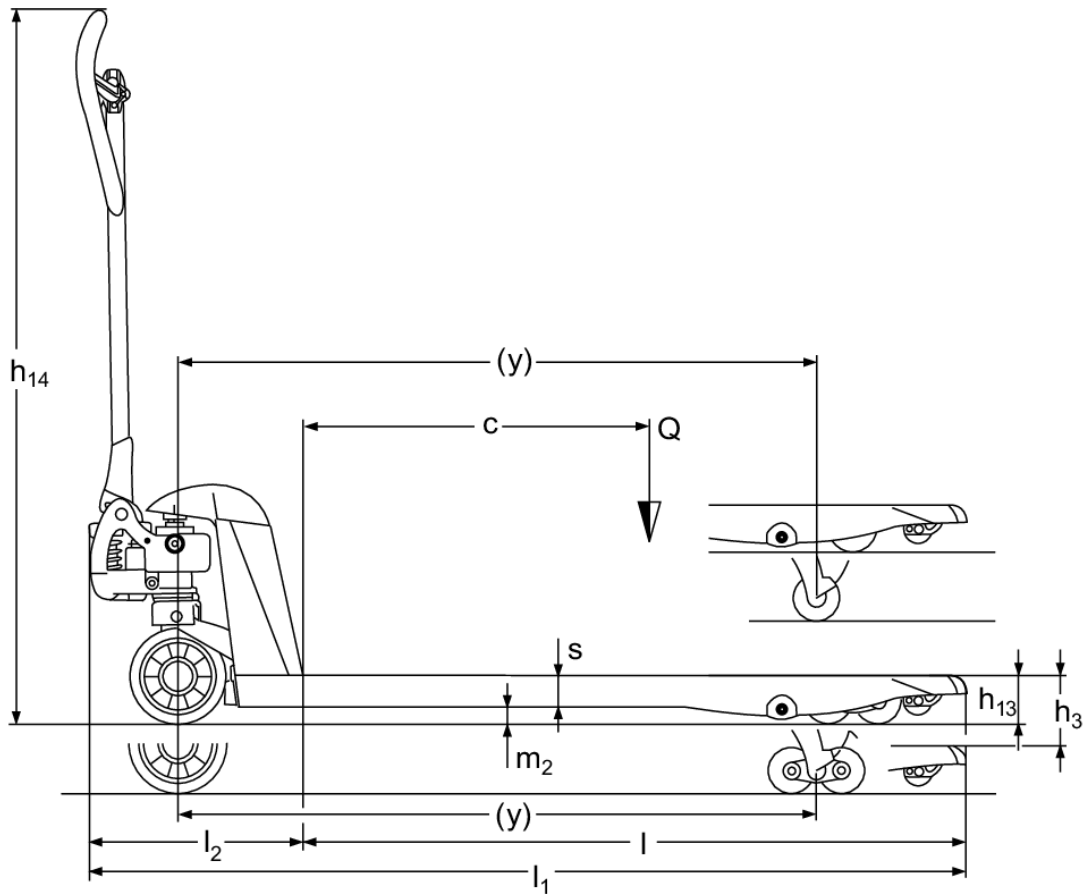




Hand pallet truck with flat forks **AM 15l**

Lift height: 120 mm / Load capacity: 1500 kg

AM 15L



VDI table

Stand-on: 02/2021

Characteristic	1.1	Manufacturer (abbreviated description)		Jungheinrich				
	1.2	Manufacturer's type designation		AM 15I				
	1.3	Drive		Manual				
	1.4	Operation		Manual				
	1.5	Load capacity/load	Q kg	1500				
	1.6	Load centre distance	c mm	600	500	400	500	600
	1.9	Wheelbase	y mm	1100	900	745	1080	
Weights	2.1	Service weight	kg	74	72	71	61	65
	2.2	Axle load laden front/rear	kg	-			476 / 613	
	2.3	Axle load unladen front/rear	kg	-	60 / 28	-	60 / 28	
Wheels/suspension system	3.1	Tyres		C, N				
	3.2	Tyre size, front		Ø 170x50				
	3.3	Tyre size, rear		Ø 50x70				
	3.5	Wheels, number front/back (x=driven)		2/4				
	3.6	Tread width, front	b ₁₀ mm	109				
	3.7	Tread width, rear	b ₁₁ mm	370				
	Basic dimensions	4.4	Lift (h ₃)	h ₃ mm	120			
4.9		Height of tiller handle in drive position min./max.	mm	1237				
4.14		Stand height, elevated	h ₁₂ mm	171				
4.15		Height, lowered	h ₁₃ mm	51				
4.19		Overall length	l ₁ mm	1530	1330	1175	1530	
4.20		Length including fork shank	l ₂ mm	380				
4.21.1		Overall width	b ₁ mm	520			680	
4.22		Fork dimensions	s/ e/l mm	38 / 150 / 1150	38 / 150 / 950	38 / 150 / 795	38 / 150 / 950	38 / 150 / 1150
4.25		Width across forks	b ₅ mm	520			680	
4.32		Ground clearance centre of wheelbase	m ₂ mm	13				
4.34		Aisle width (pallet 1000x1200 sideways)	Ast mm	1584				
4.34.1		Aisle width (pallet 800x1200 length)	Ast mm	1784				
4.35		Turning radius	W _a mm	1274				
Performance data	5.3	Lowering speed laden/unladen	m/s	0.09 / 0.02				
- This data sheet according to VDI guideline 2198 only states the technical values of the standard truck. Different tyres, other masts, additional equipment etc. may result in different values.								

The German production facilities in
Norderstedt, Moosburg and Landsberg
are certified.

ISO 9001
ISO 14001

Jungheinrich fork lift trucks meet
European safety requirements.



 **JUNGHEINRICH**

The Jungheinrich logo, featuring a red upward-pointing arrow integrated into the letter 'J', followed by the brand name 'JUNGHEINRICH' in a bold, black, sans-serif font.