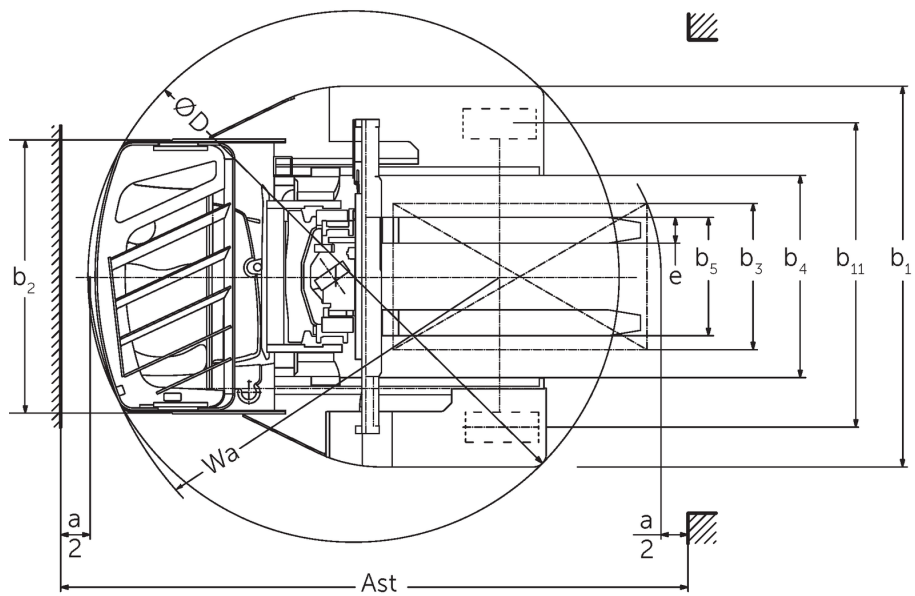
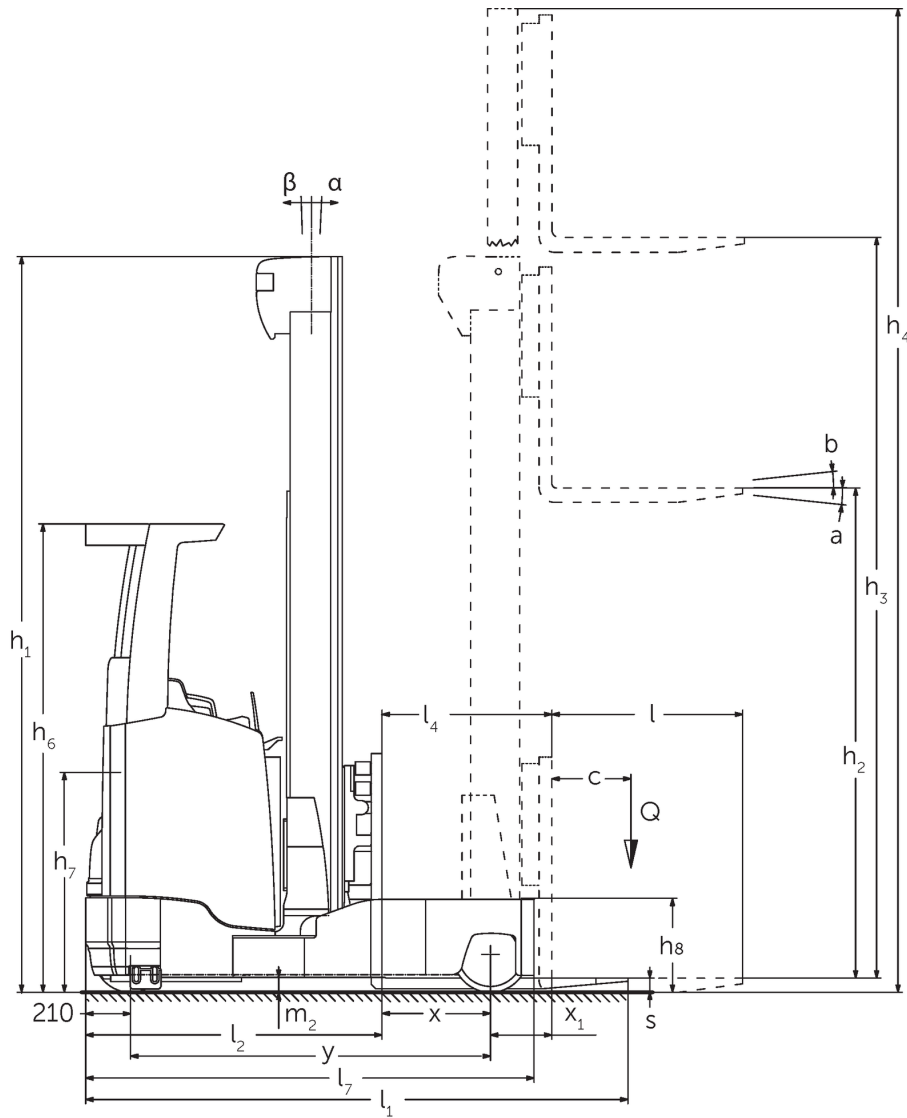




Electric reach truck **ETV Q20 / Q25**

Lift height: 4250-10700 mm / Load capacity: 2000-2500 kg

ETV Q20 / Q25



ETV Q20 / Q25

| ETV Q20, ETV Q25 | Lift (h3) | Retracted mast height (h1) | Free lift (h2) | Extended mast height (h4) | Forward/backward tilt of mast | Forward/backward tilt of fork carriage |
|--|-----------|----------------------------|----------------|---------------------------|-------------------------------|--|
| Fork tilt / Triplex mast DZ / cold-formed | 6200 mm | 2700 mm | 1970 mm | 6946 mm | | 2 / 5 ° |
| | 6500 mm | 2800 mm | 2070 mm | 7246 mm | | 2 / 5 ° |
| | 6800 mm | 2900 mm | 2170 mm | 7546 mm | | 2 / 5 ° |
| | 6950 mm | 2950 mm | 2220 mm | 7696 mm | | 2 / 5 ° |
| | 7400 mm | 3100 mm | 2370 mm | 8146 mm | | 2 / 5 ° |
| | 7700 mm | 3200 mm | 2470 mm | 8446 mm | | 2 / 5 ° |
| | 8000 mm | 3300 mm | 2570 mm | 8746 mm | | 2 / 5 ° |
| | 8420 mm | 3440 mm | 2710 mm | 9166 mm | | 2 / 5 ° |
| | 8720 mm | 3540 mm | 2810 mm | 9466 mm | | 2 / 5 ° |
| | 9110 mm | 3670 mm | 2940 mm | 9856 mm | | 2 / 5 ° |
| | 9620 mm | 3840 mm | 3110 mm | 10366 mm | | 2 / 5 ° |
| | 9950 mm | 3950 mm | 3220 mm | 10696 mm | | 2 / 5 ° |
| | 10220 mm | 4100 mm | 3370 mm | 10966 mm | | 2 / 5 ° |
| | 10520 mm | 4200 mm | 3470 mm | 11266 mm | | 2 / 5 ° |
| 10700 mm | 4260 mm | 3530 mm | 11446 mm | | 2 / 5 ° | |
| Mast tilt without side shift / Triplex mast DZ / cold-formed | 4250 mm | 2050 mm | 1320 mm | 4996 mm | | 1 / 5 ° |
| | 4700 mm | 2200 mm | 1470 mm | 5446 mm | | 1 / 5 ° |
| | 5000 mm | 2300 mm | 1570 mm | 5746 mm | | 1 / 5 ° |
| | 5300 mm | 2400 mm | 1670 mm | 6046 mm | | 1 / 5 ° |
| | 5420 mm | 2440 mm | 1710 mm | 6166 mm | | 1 / 3 ° |
| | 5600 mm | 2500 mm | 1770 mm | 6346 mm | | 1 / 3 ° |
| | 5900 mm | 2600 mm | 1870 mm | 6646 mm | | 1 / 3 ° |
| | 6050 mm | 2650 mm | 1920 mm | 6796 mm | | 1 / 3 ° |
| | 6200 mm | 2700 mm | 1970 mm | 6946 mm | | 1 / 3 ° |
| | 6500 mm | 2800 mm | 2070 mm | 7246 mm | | 1 / 3 ° |
| | 6800 mm | 2900 mm | 2170 mm | 7546 mm | | 1 / 3 ° |
| | 6950 mm | 2950 mm | 2220 mm | 7696 mm | | 1 / 3 ° |
| | 7400 mm | 3100 mm | 2370 mm | 8146 mm | | 1 / 3 ° |
| | 8000 mm | 3300 mm | 2570 mm | 8746 mm | | 1 / 3 ° |
| | 8420 mm | 3440 mm | 2710 mm | 9166 mm | | 1 / 3 ° |
| | 8720 mm | 3540 mm | 2810 mm | 9466 mm | | 1 / 3 ° |
| 9110 mm | 3670 mm | 2940 mm | 9856 mm | | 1 / 3 ° | |

VDI table

Stand-on: 02/2021

| | | | | Jungheinrich | | |
|--------------------------|------------------------------|--|-----------------|-----------------|-----------------|-------------|
| Characteristic | 1.1 | Manufacturer (abbreviated description) | | | | |
| | 1.2 | Manufacturer's type designation | | ETV Q20 | ETV Q25 | |
| | 1.3 | Drive | | Electric | | |
| | 1.4 | Operation | | Sideways-seated | | |
| | 1.5 | Load capacity/load | Q | kg | 2000 | 2500 |
| | 1.6 | Load centre distance | c | mm | 600 | |
| | 1.8 | Load distance, centre of drive axle to fork | x | mm | 449 | |
| | 1.8.1 | Load distance, centre of drive axle to fork, mast extended | | mm | 230 | |
| | 1.9 | Wheelbase | y | mm | 1528 | 1638 |
| Weights | 2.1.1 | Service weight (incl. battery) | | kg | 3700 | |
| | 2.3 | Axle load unladen front/rear | | kg | 2264 / 1436 | |
| | 2.4 | Axle load fork forward laden front/rear | | kg | 602 / 5598 | |
| | 2.5 | Axle load fork back laden front/rear | | kg | 2032 / 4168 | |
| Wheels/suspension system | 3.1 | Tyres | | | PU | |
| | 3.2 | Tyre size, front | | | Ø 343 x 140 | |
| | 3.3 | Tyre size, rear | | | Ø 355 x 135 | |
| | 3.5 | Wheels, number front/back (x=driven) | | | 1x / 2 | |
| | 3.7 | Tread width, rear | b ₁₁ | mm | 1420 | |
| Basic dimensions | 4.2 | Retracted mast height (h1) | h ₁ | mm | 2400 | |
| | 4.3 | Free lift (h2) | h ₂ | mm | 1670 | |
| | 4.4 | Lift (h3) | h ₃ | mm | 5300 | |
| | 4.5 | Extended mast height (h4) | h ₄ | mm | 6046 | |
| | 4.7 | Height of overhead guard (cab) | h ₆ | mm | 2190 | |
| | 4.8 | Seat height/stand height | h ₇ | mm | 1057 | |
| | 4.10 | Height of support arms | h ₈ | mm | 440 | |
| | 4.19 | Overall length | l ₁ | mm | 2439 | 2511 |
| | 4.20 | Length including fork shank | l ₂ | mm | 1289 | 1361 |
| | 4.21.1 | Overall width | b ₁ | mm | 1770 | |
| | 4.21.2 | Overall width | b ₂ | mm | 1270 | |
| | 4.22 | Fork dimensions | s/e/l | mm | 50 / 140 / 1150 | |
| | 4.23 | Fork carriage connection class | | | 2B | |
| | 4.24 | Fork carriage width | b ₃ | mm | 830 | |
| | 4.25 | Width across forks | b ₅ | mm | 356 | |
| | 4.26 | Width between support arms/loading areas | b ₄ | mm | 940 | |
| | 4.28 | Reach distance | | mm | 679 | 762 |
| | 4.32 | Ground clearance centre of wheelbase | m ₂ | mm | 95 | |
| | 4.34 | Aisle width (pallet 1000x1200 sideways) | Ast | mm | 2756 | 2854 |
| | 4.34.1 | Aisle width (pallet 800x1200 length) | Ast | mm | 2792 | 2872 |
| 4.35 | Turning radius | W _a | mm | 1741 | 1893 | |
| 4.37 | Length over the support arms | L ₇ | mm | 1957 | 2112 | |
| Performance data | 5.1 | Travel speed laden/unladen | | km/h | 14 / 14 | |
| | 5.2 | Lift speed laden/unladen | | m/s | 0.38 / 0.64 | 0.35 / 0.64 |
| | 5.3 | Lowering speed laden/unladen | | m/s | 0.55 / 0.55 | |
| | 5.4 | Reach speed laden/unladen | | m/s | 0.2 / 0.2 | |
| | 5.7 | Gradeability laden/unladen | | % | 7 / 11 | |
| | 5.8 | Max. gradeability laden/unladen | | % | 10 / 15 | |
| | 5.9 | Acceleration time laden/unladen | | s | 5.4 / 4.8 | 5.6 / 5.1 |
| | 5.10 | Service brake | | | electric | |

| | | | | | |
|--|-------|--|--------|-------------|-------|
| E-motor/Electronics | 6.1 | Drive motor, performance S2 60 min | kW | 8.5 | |
| | 6.2 | Lift motor, performance with S3 | kW | 15.5 | |
| | 6.3 | Battery according to DIN 43531/35/36 | | DIN 43531 C | |
| | 6.4 | Battery voltage/nominal capacity | V / Ah | 48 / 620 | |
| | 6.5 | Battery weight | kg | 1005 | |
| | 6.6 | Energy consumption according to VDI cycle | kWh/h | 5.1 | 6 |
| | 6.6.1 | Energy consumption according to EN cycle | kWh/h | 4.31 | 5 |
| | 6.6.2 | CO2 equivalent as per EN 16796 | kg/h | 2.3 | 2.7 |
| | 6.7 | Throughput | t/h | 79.73 | 97.61 |
| | 6.8.1 | Energy consumption with max. throughput | kWh/h | 4.71 | 4.98 |
| Other | 8.1 | Type of drive control | | Mosfet/AC | |
| | 10.1 | Operating pressure for attachment | bar | 150 | |
| | 10.2 | Oil flow for attachments | l/min | 20 | |
| | 10.7 | Sound level as per EN12053, operator's ear | dB (A) | 70 | |
| <p>- This data sheet according to VDI guideline 2198 only states the technical values of the standard truck. Different tyres, other masts, additional equipment etc. may result in different values.</p> | | | | | |

The German production facilities in
Norderstedt, Moosburg and Landsberg
are certified.

ISO 9001
ISO 14001

Jungheinrich fork lift trucks meet
European safety requirements.



 **JUNGHEINRICH**