



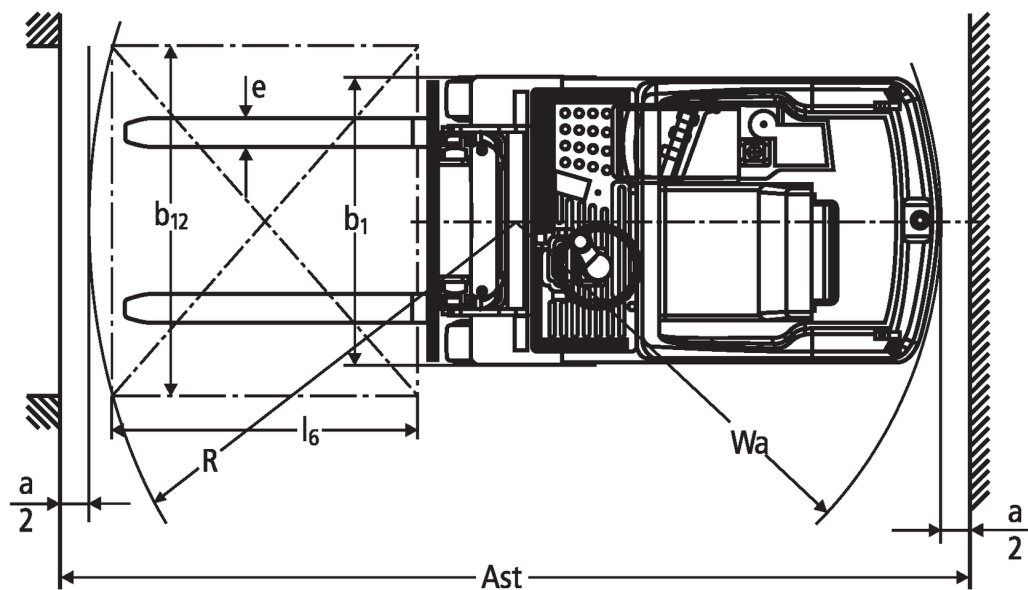
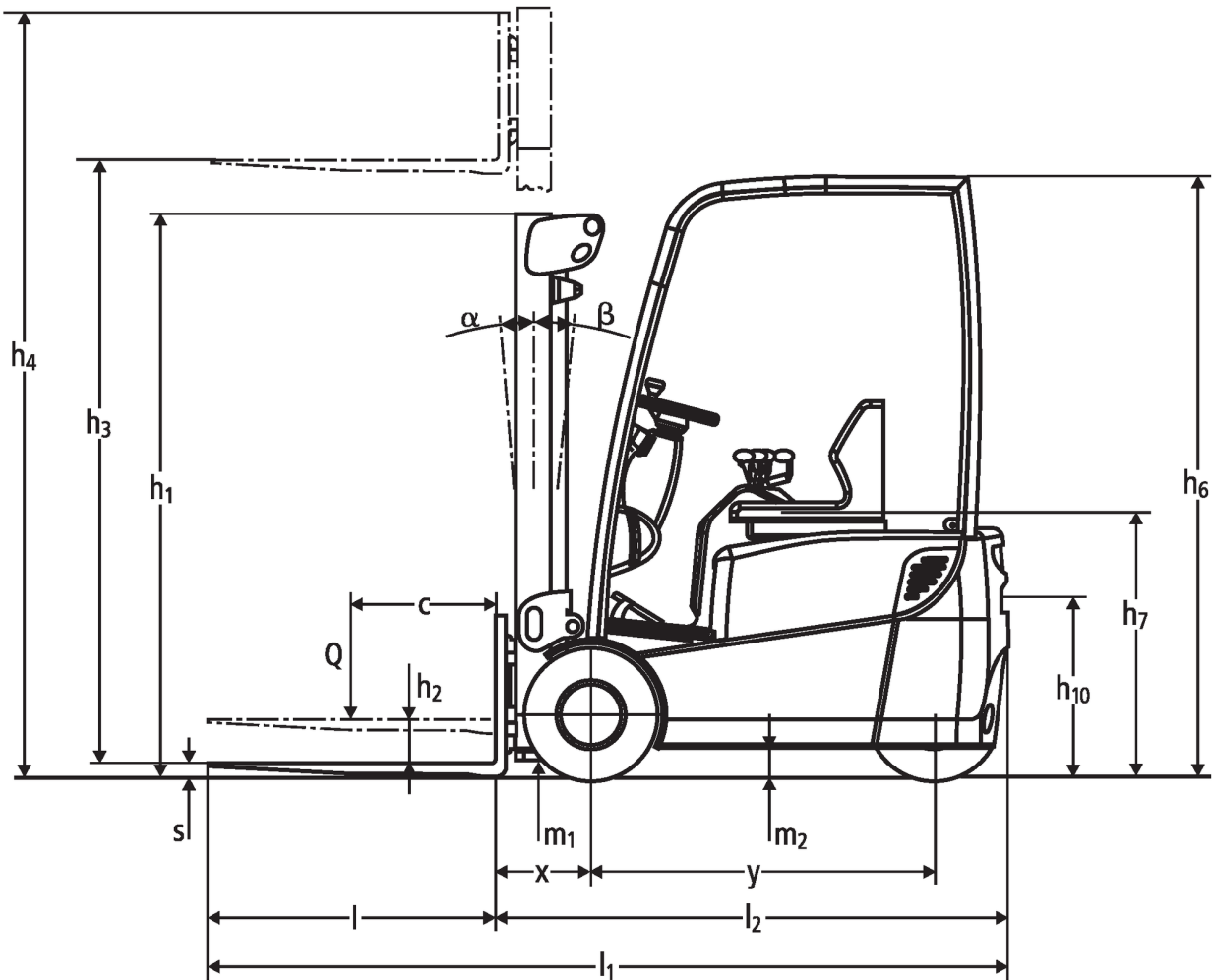
Electric three-wheel counterbalance forklift truck

EFG 110-115

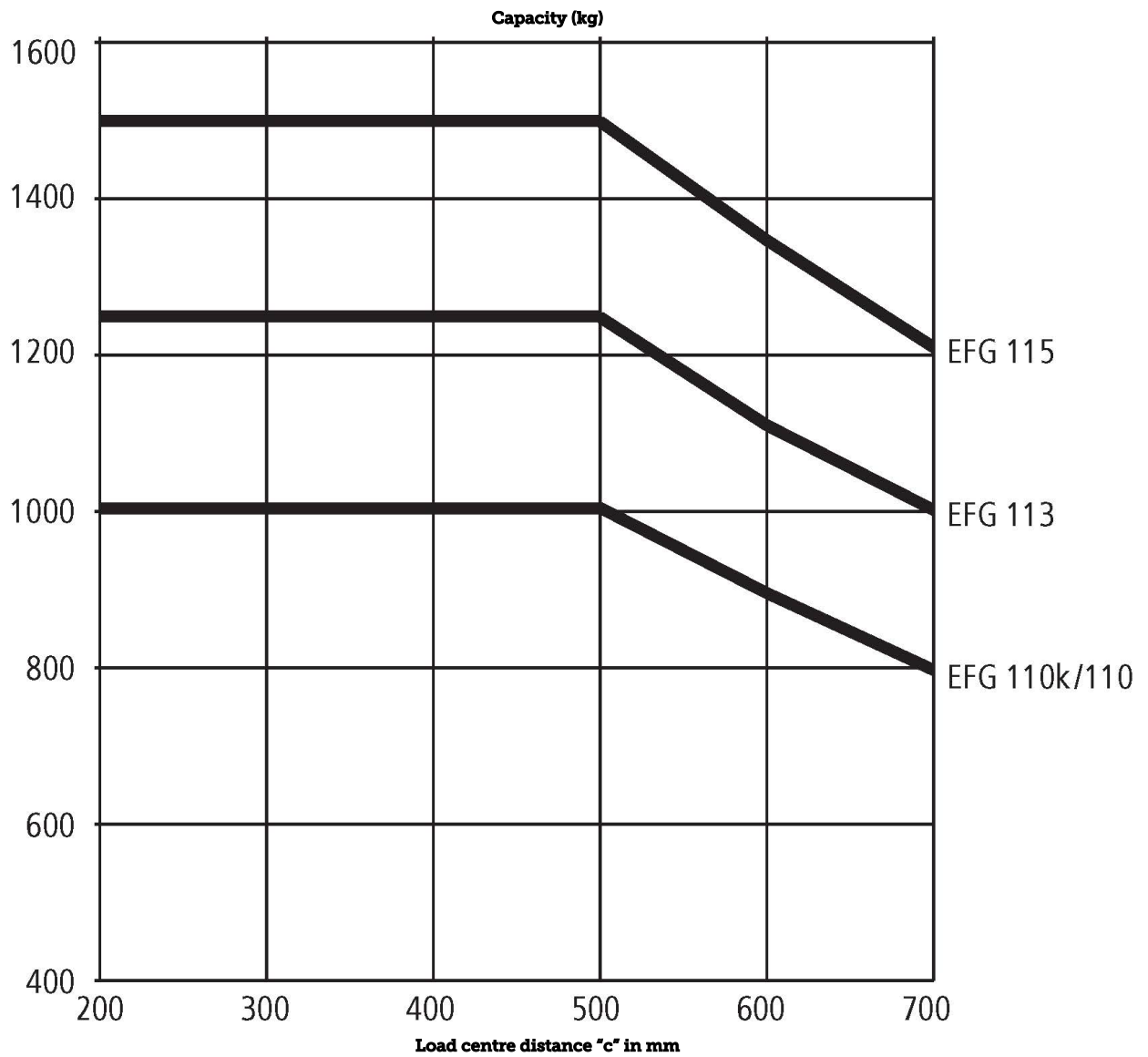
Lift height: 2300-6500 mm / Load capacity: 1000-1500 kg

 JUNGHEINRICH

EFG 110-115



EFG 110-115



EFG 110-115

| EFG 110 soloPILOT, EFG 110 multiPILOT, EFG 113 soloPILOT, EFG 113 multiPILOT, EFG 115 soloPILOT, EFG 115 multiPILOT | Lift (h3) | Retracted mast height (h1) | Free lift (h2) | Extended mast height (h4) | Forward/backward tilt of mast |
|--|-----------|----------------------------|----------------|---------------------------|-------------------------------|
| Triplex mast DZ | 6000 mm | 2555 mm | 2005 mm | 6550 mm | 5 / 4 ° |
| EFG 110k soloPILOT, EFG 110k multiPILOT, EFG 110 soloPILOT, EFG 110 multiPILOT, EFG 113 soloPILOT, EFG 113 multiPILOT, EFG 115 soloPILOT, EFG 115 multiPILOT | Lift (h3) | Retracted mast height (h1) | Free lift (h2) | Extended mast height (h4) | Forward/backward tilt of mast |
| Duplex mast ZT | 2300 mm | 1650 mm | 150 mm | 2850 mm | 5 / 4 ° |
| | 3000 mm | 2000 mm | 150 mm | 3550 mm | 5 / 6 ° |
| | 3100 mm | 2050 mm | 150 mm | 3650 mm | 5 / 6 ° |
| | 3300 mm | 2150 mm | 150 mm | 3850 mm | 5 / 6 ° |
| | 3600 mm | 2300 mm | 150 mm | 4150 mm | 5 / 6 ° |
| | 4000 mm | 2500 mm | 150 mm | 4550 mm | 5 / 6 ° |
| | 4500 mm | 2800 mm | 150 mm | 5050 mm | 5 / 6 ° |
| | 5000 mm | 3050 mm | 150 mm | 5550 mm | 5 / 5 ° |
| Duplex mast ZZ | 2300 mm | 1605 mm | 1055 mm | 2850 mm | 5 / 4 ° |
| | 3000 mm | 1955 mm | 1405 mm | 3550 mm | 5 / 6 ° |
| | 3100 mm | 2005 mm | 1455 mm | 3650 mm | 5 / 6 ° |
| | 3300 mm | 2105 mm | 1555 mm | 3850 mm | 5 / 6 ° |
| | 3600 mm | 2255 mm | 1705 mm | 4150 mm | 5 / 6 ° |
| | 4000 mm | 2455 mm | 1905 mm | 4550 mm | 5 / 6 ° |
| Triplex mast DZ | 4350 mm | 1955 mm | 1405 mm | 4900 mm | 5 / 6 ° |
| | 4500 mm | 2005 mm | 1455 mm | 5050 mm | 5 / 6 ° |
| | 4800 mm | 2105 mm | 1555 mm | 5350 mm | 5 / 6 ° |
| | 5000 mm | 2180 mm | 1630 mm | 5550 mm | 5 / 5 ° |
| | 5250 mm | 2255 mm | 1705 mm | 5800 mm | 5 / 5 ° |
| | 5500 mm | 2355 mm | 1805 mm | 6050 mm | 5 / 5 ° |
| EFG 113 soloPILOT, EFG 113 multiPILOT, EFG 115 soloPILOT, EFG 115 multiPILOT | Lift (h3) | Retracted mast height (h1) | Free lift (h2) | Extended mast height (h4) | Forward/backward tilt of mast |
| Triplex mast DZ | 6500 mm | 2805 mm | 2255 mm | 7050 mm | 5 / 4 ° |

VDI table

Stand-on: 02/2021

| Characteristic | 1.1 | Manufacturer (abbreviated description) | Jungheinrich | | | | | | | |
|--------------------------|-------------------------------|---|--------------------------------|----------------|----------------|-------------|-------------|-------------|------------|------|
| | | | EFG 110k | EFG 110 | EFG 113 | EFG 115 | | | | |
| Characteristic | 1.2 | Manufacturer's type designation | | | | | | | | |
| | 1.3 | Drive | Electric | | | | | | | |
| | 1.4 | Operation | Seat | | | | | | | |
| | 1.5 | Load capacity/load | Q | kg | 1000 | 1250 | 1500 | | | |
| | 1.6 | Load centre distance | c | mm | 500 | | | | | |
| | 1.8 | Load distance, centre of drive axle to fork | x | mm | 335 | | | | | |
| | 1.9 | Wheelbase | y | mm | 984 | 1038 | 1146 | 1200 | | |
| | Weights | 2.1.1 | Service weight (incl. battery) | | kg | 2480 | 2560 | 2760 | 2765 | 2860 |
| | | 2.2 | Axle load laden front/rear | | kg | 2930 / 550 | 2935 / 625 | 3380 / 620 | 3795 / 565 | |
| 2.3 | | Axle load unladen front/rear | | kg | 1085 / 1395 | 1135 / 1425 | 1225 / 1525 | 1260 / 1600 | | |
| Wheels/suspension system | 3.1 | Tyres | | | SE | | | | | |
| | 3.2 | Tyre size, front | | | 18 x 7-8 | | | | | |
| | 3.3 | Tyre size, rear | | | 18 x 7-8 | | | | | |
| | 3.5 | Wheels, number front/back (x=driven) | | | 2/1x | | | | | |
| | 3.6 | Tread width, front | b ₁₀ | mm | 838 | | | | | |
| | 3.7 | Tread width, rear | b ₁₁ | mm | 0 | | | | | |
| | Basic dimensions | 4.2 | Retracted mast height (h1) | h ₁ | mm | 2000 | | | | |
| 4.3 | | Free lift (h2) | h ₂ | mm | 150 | | | | | |
| 4.4 | | Lift (h3) | h ₃ | mm | 3000 | | | | | |
| 4.5 | | Extended mast height (h4) | h ₄ | mm | 3550 | | | | | |
| 4.7 | | Height of overhead guard (cab) | h ₆ | mm | 2090 | | | | | |
| 4.8 | | Seat height/stand height | h ₇ | mm | 900 | | | | | |
| 4.12 | | Coupling height | h ₁₀ | mm | 635 | | | | | |
| 4.19 | | Overall length | l ₁ | mm | 2724 | 2778 | 2886 | 2940 | | |
| 4.20 | | Length including fork shank | l ₂ | mm | 1574 | 1627 | 1736 | 1790 | | |
| 4.21.1 | | Overall width | b ₁ | mm | 990 | | | | | |
| 4.22 | | Fork dimensions | s/e/ l | mm | 40 / 80 / 1150 | | | | | |
| 4.23 | | Fork carriage connection class | | | 2A | | | | | |
| 4.24 | | Fork carriage width | b ₃ | mm | 950 | | | | | |
| 4.31 | | Ground clearance laden under mast | m ₁ | mm | 90 | | | | | |
| 4.32 | | Ground clearance centre of wheelbase | m ₂ | mm | 100 | | | | | |
| 4.34 | | Aisle width (pallet 1000x1200 sideways) | Ast | mm | 2903 | 2957 | 3065 | 3119 | | |
| 4.34.1 | | Aisle width (pallet 800x1200 length) | Ast | mm | 3025 | 3079 | 3187 | 3241 | | |
| 4.35 | Turning radius | W _a | mm | 1239 | 1293 | 1401 | 1455 | | | |
| 4.36 | Smallest pivot point distance | b ₁₃ | mm | 0 | | | | | | |
| Performance data | 5.1 | Travel speed laden/unladen | | km/h | 12 / 12.5 | | | | | |
| | 5.2 | Lift speed laden/unladen | | m/s | 0.28 / 0.5 | 0.29 / 0.5 | 0.25 / 0.5 | 0.24 / 0.5 | | |
| | 5.3 | Lowering speed laden/unladen | | m/s | 0.58 / 0.6 | | | | | |
| | 5.5 | Drawbar pull laden/unladen | | N | 1150 / 1250 | | 1100 / 1250 | 1055 / 1250 | | |
| | 5.6 | Max. drawbar pull laden/unladen | | N | 4400 / 4500 | | 4375 / 4500 | 4350 / 4500 | | |
| | 5.7 | Gradeability laden/unladen | | % | 8.5 / 12 | 8 / 11.5 | 7 / 11 | 6.5 / 10.5 | | |
| | 5.8 | Max. gradeability laden/unladen | | % | 13 / 18 | 12.5 / 17.5 | 11 / 16.5 | 10 / 16 | | |
| | 5.9 | Acceleration time laden/unladen | | s | 5.1 / 4.6 | | 5.4 / 4.7 | 5.6 / 4.8 | | |
| | 5.10 | Service brake | | | hydraulic | | | | | |

| | | | | | | | |
|--|-------|--|--------|-------------|----------|----------|-----------|
| E-motor/Electronics | 6.1 | Drive motor, performance S2 60 min | kW | 4 | | | |
| | 6.2 | Lift motor, performance with S3 | kW | 6 | | | |
| | 6.3 | Battery according to DIN 43531/35/36 | | DIN 43535 A | | | |
| | 6.4 | Battery voltage/nominal capacity | V / Ah | 24 / 500 | 24 / 625 | 24 / 875 | 24 / 1000 |
| | 6.5 | Battery weight | kg | 380 | 450 | 600 | 690 |
| | 6.6 | Energy consumption according to VDI cycle | kWh/h | 0 | | | |
| | 6.6.1 | Energy consumption according to EN cycle | kWh/h | 2.6 | | 2.7 | |
| | 6.6.2 | CO2 equivalent as per EN 16796 | kg/h | 1.4 | | 1.5 | |
| | 6.7 | Throughput | t/h | 60 | | 76 | 93 |
| | 6.8.1 | Energy consumption with max. throughput | kWh/h | 3.2 | 3.3 | 3.5 | 3.7 |
| Other | 8.1 | Type of drive control | | Impulse/AC | | | |
| | 10.1 | Operating pressure for attachment | bar | 160 | | 185 | 210 |
| | 10.2 | Oil flow for attachments | l/min | 14 | | | |
| | 10.7 | Sound level as per EN12053, operator's ear | dB (A) | 63 | | | |
| | 10.8 | Trailer coupling, model/type DIN | | DIN 15170 H | | | |
| <p>- This data sheet according to VDI guideline 2198 only states the technical values of the standard truck. Different tyres, other masts, additional equipment etc. may result in different values.</p> | | | | | | | |

- 1.8: 337 mm for DZ mast; for integral sideshift: x = 362 mm (DZ mast 369 mm); for sideshift attachment: x = 390 mm (DZ mast 397 mm) - 6.6.1: 45 working cycles / h

The German production facilities in
Norderstedt, Moosburg and Landsberg
are certified.

ISO 9001
ISO 14001

Jungheinrich fork lift trucks meet
European safety requirements.



 **JUNGHEINRICH**

The Jungheinrich logo, featuring a red upward-pointing arrow above the word 'JUNGHEINRICH' in a bold, black, sans-serif font.