

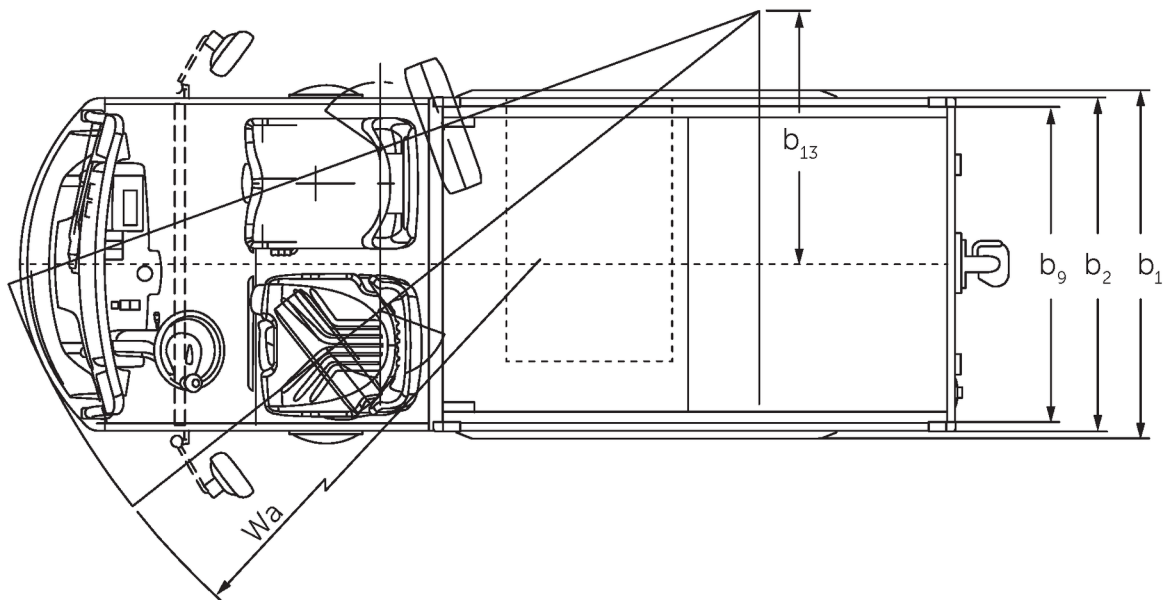
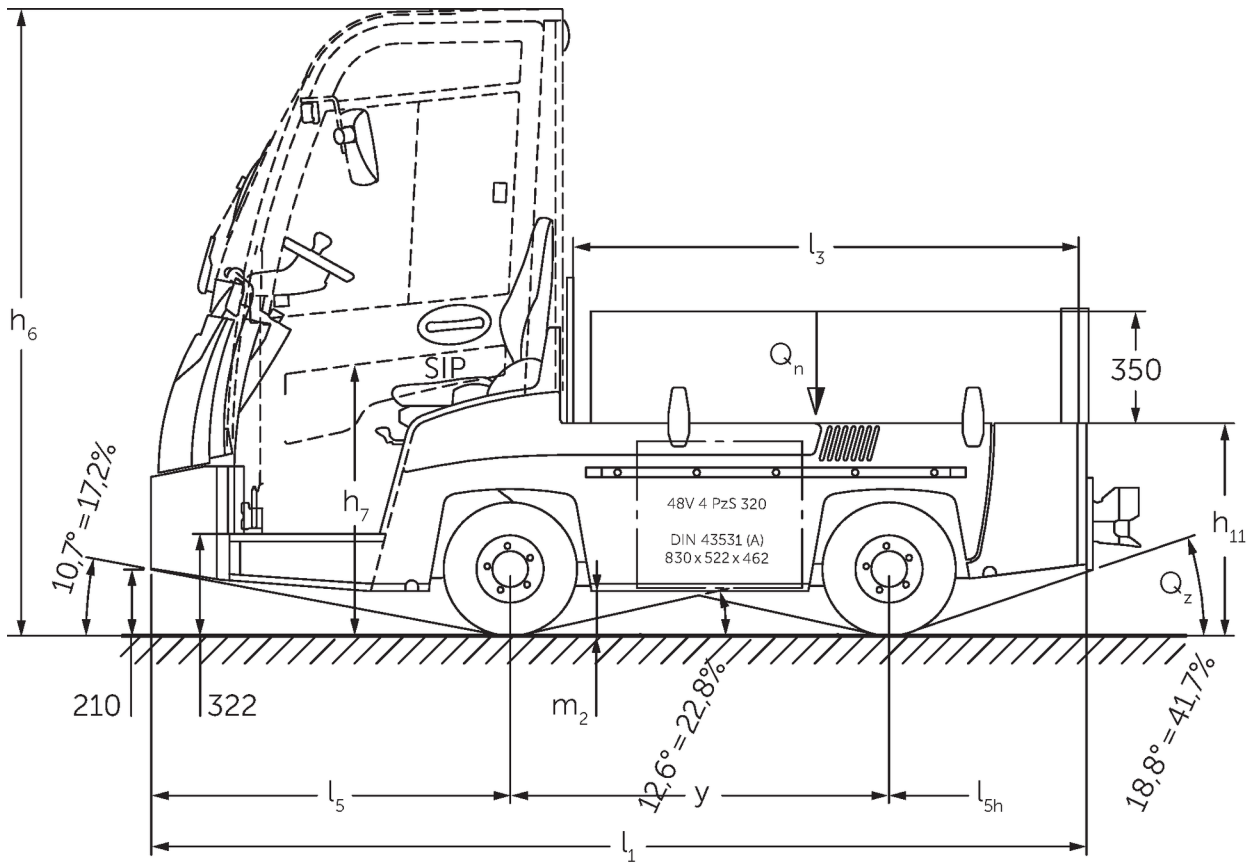


# Electric tow tractor

## **EZW 515**

Load capacity: 1500 kg

# EZW 515



Data sheet, EZW, technical drawing

# VDI table

Stand-on: 10/2020

Characteristic	1.1	Manufacturer (abbreviated description)		Jungheinrich	
	1.2	Manufacturer's type designation		<b>EZW 515</b>	
	1.3	Drive		Electric	
	1.4	Operation		Seat	
	1.5	Load capacity/load	Q	kg	1500
	1.7	Rated drawbar pull		N	600
	1.9	Wheelbase	y	mm	1200
Weights	2.1.1	Service weight (incl. battery)		kg	1600
	2.2	Axle load laden front/rear		kg	1310 / 1728
	2.3	Axle load unladen front/rear		kg	932 / 578
Wheels/suspension system	3.1	Tyres			SE
	3.2	Tyre size, front			4.00-8/6 PR
	3.3	Tyre size, rear			4.00-8/6 PR
	3.5	Wheels, number front/back (x=driven)			2 / 2x
	3.6	Tread width, front	b <sub>10</sub>	mm	905
	3.7	Tread width, rear	b <sub>11</sub>	mm	900
Basic dimensions	4.7	Height of overhead guard (cab)	h <sub>6</sub>	mm	1990
	4.8	Seat height/stand height	h <sub>7</sub>	mm	825
	4.12	Coupling height	h <sub>10</sub>	mm	250
	4.12.1	2. Coupling height		mm	340
	4.12.2	3. Coupling height		mm	430
	4.13	Loading height, unladen		mm	665
	4.16	Loading area length	l <sub>3</sub>	mm	1600
	4.18	Loading area width	b <sub>9</sub>	mm	1000
	4.19	Overall length	l <sub>1</sub>	mm	2762
	4.21.1	Overall width	b <sub>1</sub>	mm	1100
	4.21.2	Overall width	b <sub>2</sub>	mm	1100
	4.32	Ground clearance centre of wheelbase	m <sub>2</sub>	mm	148
	4.35	Turning radius	W <sub>a</sub>	mm	2477
	4.36	Smallest pivot point distance	b <sub>13</sub>	mm	691
Performance data	5.1	Travel speed laden/unladen		km/h	18
	5.5	Drawbar pull laden/unladen		N	600
	5.6	Max. drawbar pull laden/unladen		N	4500
	5.10	Service brake			hydraulic
E-motor/ Electronics	6.1	Drive motor, performance S2 60 min		kW	4.3
	6.4	Battery voltage/nominal capacity		V / Ah	48 / 320
	6.5	Battery weight		kg	500
Other	8.1	Type of drive control			AC speedCONTROL
	10.5	Steering version			electro-hydraulic
	10.7	Sound level as per EN12053, operator's ear		dB (A)	57
	10.8	Trailer coupling, model/type DIN			Plug coupling x3

- This data sheet according to VDI guideline 2198 only states the technical values of the standard truck. Different tyres, other masts, additional equipment etc. may result in different values.



The German production facilities in  
Norderstedt, Moosburg and Landsberg  
are certified.

ISO 9001  
ISO 14001

Jungheinrich fork lift trucks meet  
European safety requirements.



 **JUNGHEINRICH**

The Jungheinrich logo, featuring a red upward-pointing arrow integrated into the letter 'J', followed by the brand name 'JUNGHEINRICH' in a bold, black, sans-serif font.