

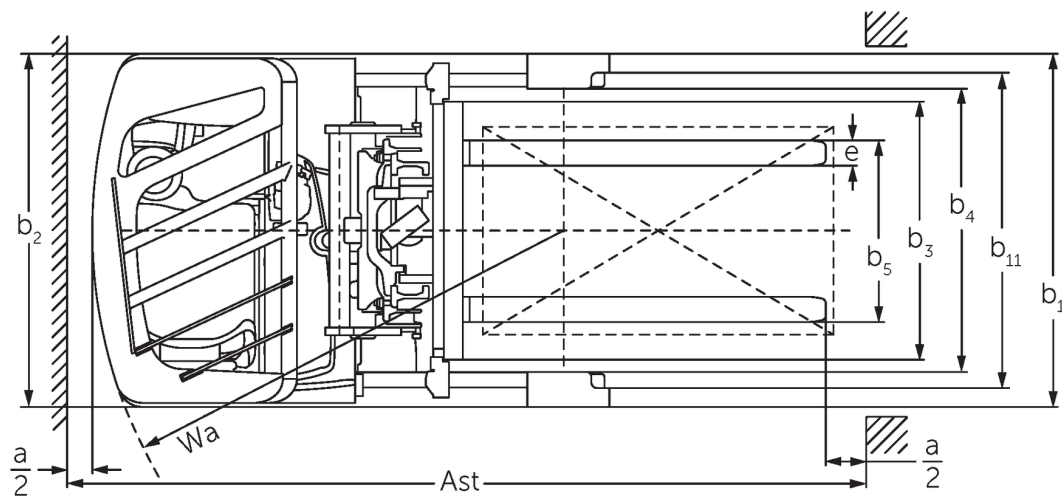
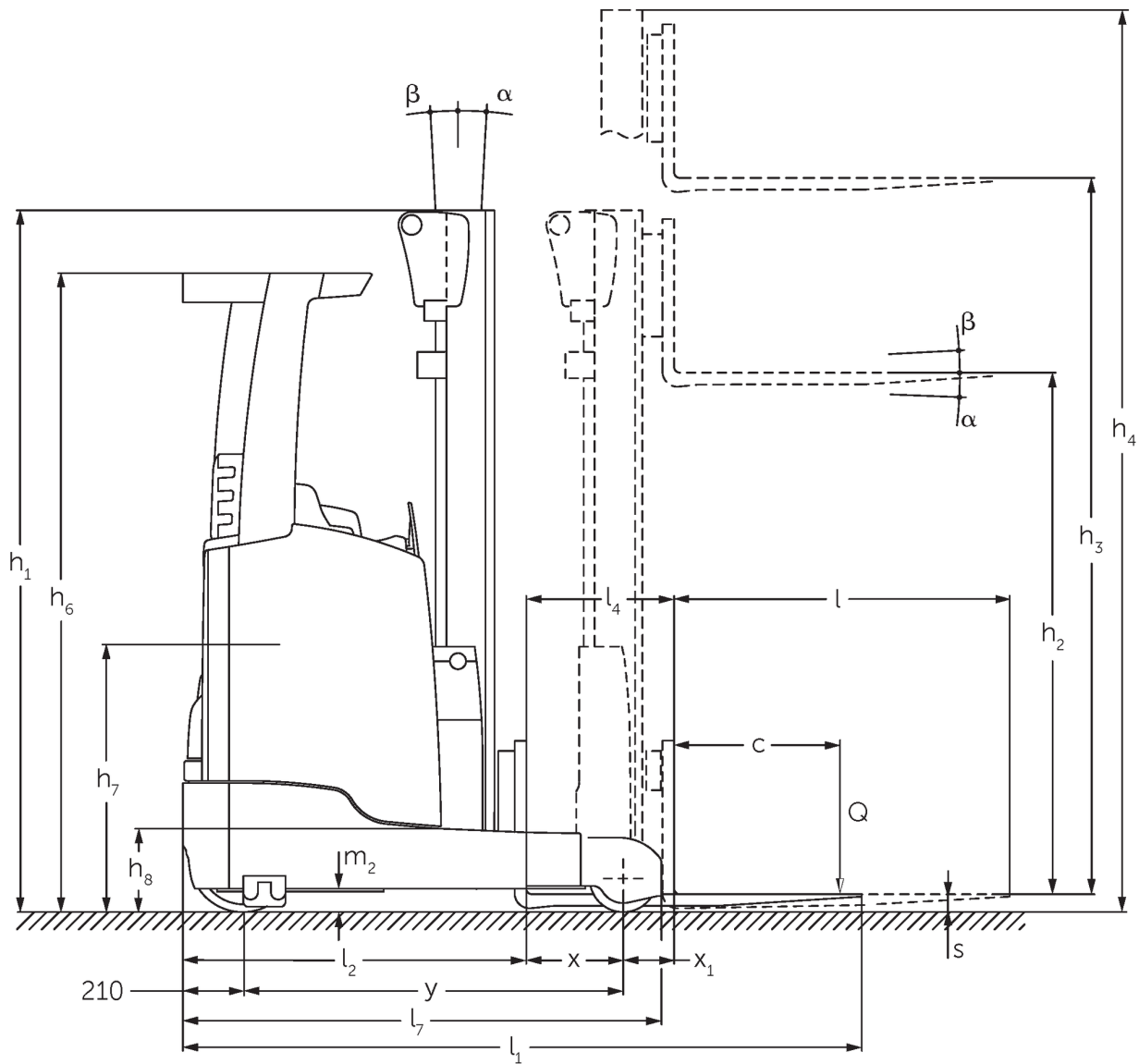


## **Electric reach truck**

### **ETV 110 / 112**

**Lift height: 4550-7100 mm / Load capacity: 1000-1200 kg**

# ETV 110 / 112



# ETV 110 / 112

ETV 110 , ETV 112	Lift (h3)	Retracted mast height (h1)	Free lift (h2)	Extended mast height (h4)	Forward/backward tilt of mast
Mast tilt / Triplex mast DZ / hot-rolled	4550 mm	2050 mm	1408 mm	5192 mm	1 / 3 °
	5000 mm	2200 mm	1558 mm	5642 mm	1 / 3 °
	5240 mm	2280 mm	1638 mm	5882 mm	1 / 3 °
	5300 mm	2300 mm	1658 mm	5942 mm	1 / 3 °
	5600 mm	2400 mm	1758 mm	6242 mm	1 / 3 °
	5900 mm	2500 mm	1858 mm	6542 mm	1 / 3 °
	6200 mm	2600 mm	1958 mm	6842 mm	1 / 3 °
	6500 mm	2700 mm	2058 mm	7142 mm	1 / 2 °
	6800 mm	2800 mm	2158 mm	7442 mm	1 / 2 °
	7100 mm	2900 mm	2258 mm	7742 mm	1 / 2 °

# VDI table

Stand-on: 10/2020

Characteristic	Code	Description			Jungheinrich	
					ETV 110	ETV 112
Characteristic	1.1	Manufacturer (abbreviated description)			Jungheinrich	
	1.2	Manufacturer's type designation			ETV 110	ETV 112
	1.3	Drive			Electric	
	1.4	Operation			Sideways-seated	
	1.5	Load capacity/load	Q	kg	1000	1200
	1.6	Load centre distance	c	mm	600	
	1.8	Load distance, centre of drive axle to fork	x	mm	339	424
	1.8.1	Load distance, centre of drive axle to fork, mast extended			170	
	1.9	Wheelbase	y	mm	1300	1385
Weights	2.1.1	Service weight (incl. battery)			2560	2580
	2.3	Axle load unladen front/rear			1587 / 973	1587 / 993
	2.4	Axle load fork forward laden front/rear			634 / 2926	516 / 3264
	2.5	Axle load fork back laden front/rear			1282 / 2278	1361 / 2419
Wheels/suspension system	3.1	Tyres			PU	
	3.2	Tyre size, front			Ø 343 x 114	
	3.3	Tyre size, rear			Ø 230 x 85	
	3.5	Wheels, number front/back (x=driven)			1x / 2	
	3.7	Tread width, rear	b <sub>11</sub>	mm	993	
Basic dimensions	4.2	Retracted mast height (h1)	h <sub>1</sub>	mm	2300	
	4.3	Free lift (h2)	h <sub>2</sub>	mm	1658	
	4.4	Lift (h3)	h <sub>3</sub>	mm	5300	
	4.5	Extended mast height (h4)	h <sub>4</sub>	mm	5942	
	4.7	Height of overhead guard (cab)	h <sub>6</sub>	mm	2190	
	4.8	Seat height/stand height	h <sub>7</sub>	mm	1057	
	4.10	Height of support arms	h <sub>8</sub>	mm	265	
	4.19	Overall length	l <sub>1</sub>	mm	2321	
	4.19.4	Length including fork length	l <sub>1</sub>	mm	2321	
	4.20	Length including fork shank	l <sub>2</sub>	mm	1174	
	4.21.1	Overall width	b <sub>1</sub>	mm	1120	
	4.21.2	Overall width	b <sub>2</sub>	mm	1120	
	4.22	Fork dimensions	s/e/l	mm	40 / 80 / 1150	
	4.23	Fork carriage connection class			2B	
	4.24	Fork carriage width	b <sub>3</sub>	mm	800	
	4.25	Width across forks	b <sub>5</sub>	mm	296	
	4.26	Width between support arms/loading areas	b <sub>4</sub>	mm	900	
	4.28	Reach distance			509	594
	4.32	Ground clearance centre of wheelbase	m <sub>2</sub>	mm	80	
	4.34	Aisle width (pallet 1000x1200 sideways)	Ast	mm	2608	2627
4.34.1	Aisle width (pallet 800x1200 length)	Ast	mm	2664	2668	
4.35	Turning radius	W <sub>a</sub>	mm	1515	1595	
4.37	Length over the support arms	L <sub>7</sub>	mm	1640	1725	
Performance data	5.1	Travel speed laden/unladen	km/h		11 / 11	
	5.2	Lift speed laden/unladen	m/s		0.48 / 0.7	0.43 / 0.7
	5.3	Lowering speed laden/unladen	m/s		0.5 / 0.5	
	5.4	Reach speed laden/unladen	m/s		0.2 / 0.2	
	5.7	Gradeability laden/unladen	%		7 / 10	
	5.8	Max. gradeability laden/unladen	%		10 / 15	

	5.9	Acceleration time laden/unladen	s	5.1 / 4.8	
	5.10	Service brake		electric	
E-motor/Electronics	6.1	Drive motor, performance S2 60 min	kW	6	
	6.2	Lift motor, performance with S3	kW	13.3	
	6.3	Battery according to DIN 43531/35/36		DIN 43531 B	
	6.4	Battery voltage/nominal capacity	V / Ah	48 / 280	
	6.5	Battery weight	kg	556	
	6.6	Energy consumption according to VDI cycle	kWh/h	2.6	2.9
	6.7	Throughput	t/h	44	53
	6.8.1	Energy consumption with max. throughput	kWh/h	2.7	2.9
Other	8.1	Type of drive control		Impulse / Mosfet AC	
	10.1	Operating pressure for attachment	bar	150	
	10.2	Oil flow for attachments	l/min	20	
	10.7	Sound level as per EN12053, operator's ear	dB (A)	68	
- This data sheet according to VDI guideline 2198 only states the technical values of the standard truck. Different tyres, other masts, additional equipment etc. may result in different values.					

The German production facilities in  
Norderstedt, Moosburg and Landsberg  
are certified.

ISO 9001  
ISO 14001

Jungheinrich fork lift trucks meet  
European safety requirements.



 **JUNGHEINRICH**

The Jungheinrich logo, featuring a red upward-pointing arrow integrated into the letter 'J', followed by the brand name 'JUNGHEINRICH' in a bold, black, sans-serif font.