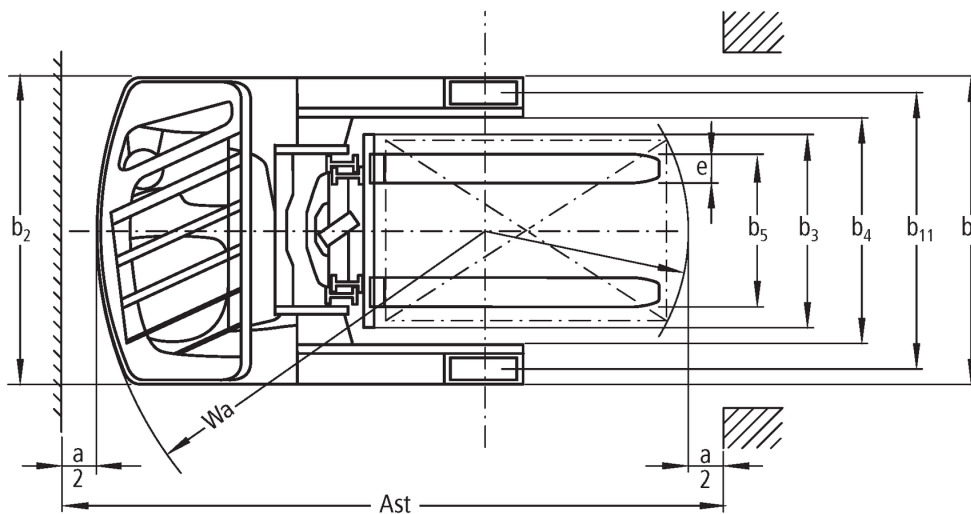
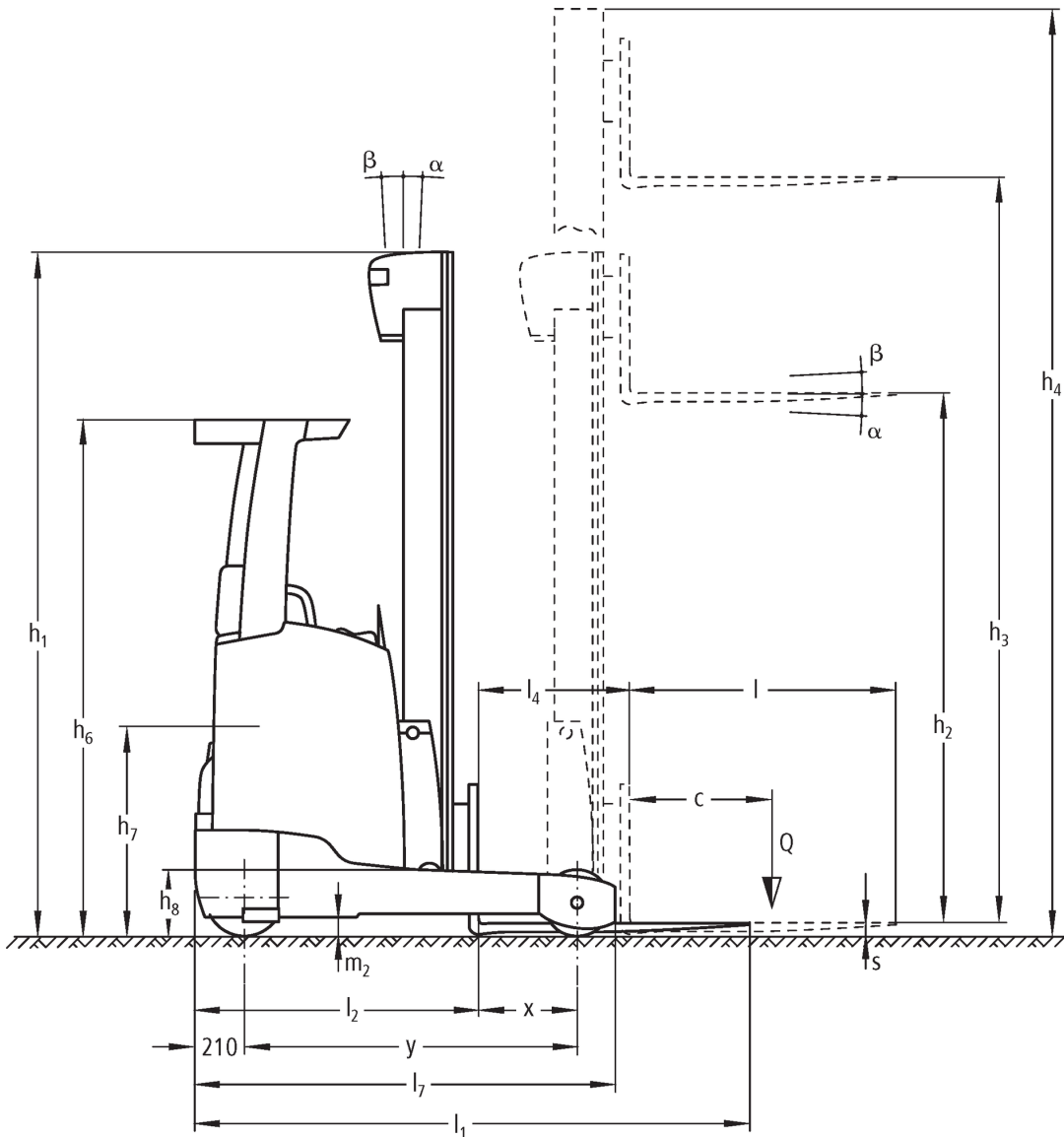




Electric reach truck **ETM/ETV 318-325**

Lift height: 4250-13000 mm / Load capacity: 1800-2500 kg

ETM/ETV 318-325



Reach truck ETM / ETV 214/216 2011

ETM/ETV 318-325

ETV 318, ETV 320, ETM 325, ETV 325	Lift (h3)	Retracted mast height (h1)	Free lift (h2)	Extended mast height (h4)	Forward/backward tilt of mast	Forward/backward tilt of fork carriage
Mast tilt / Triplex mast DZ / cold-formed	4250 mm	2050 mm	1320 mm	4996 mm	1 / 5 °	
	4700 mm	2200 mm	1470 mm	5446 mm	1 / 5 °	
	5000 mm	2300 mm	1570 mm	5746 mm	1 / 5 °	
	5300 mm	2400 mm	1670 mm	6046 mm	1 / 5 °	
	5420 mm	2440 mm	1710 mm	6166 mm	1 / 3 °	
	5600 mm	2500 mm	1770 mm	6346 mm	1 / 3 °	
	5900 mm	2600 mm	1870 mm	6646 mm	1 / 2 °	
	6050 mm	2650 mm	1920 mm	6796 mm	1 / 2 °	
	6200 mm	2700 mm	1970 mm	6946 mm	1 / 2 °	
	6500 mm	2800 mm	2070 mm	7246 mm	1 / 2 °	
	6800 mm	2900 mm	2170 mm	7546 mm	1 / 2 °	
	6950 mm	2950 mm	2220 mm	7696 mm	1 / 1 °	
	7400 mm	3100 mm	2370 mm	8146 mm	1 / 1 °	
	8000 mm	3300 mm	2570 mm	8746 mm	1 / 1 °	
	8420 mm	3440 mm	2710 mm	9166 mm	1 / 1 °	
	8720 mm	3540 mm	2810 mm	9466 mm	1 / 1 °	
9110 mm	3670 mm	2940 mm	9856 mm	1 / 1 °		
ETV 318, ETV 320, ETV 325	Lift (h3)	Retracted mast height (h1)	Free lift (h2)	Extended mast height (h4)	Forward/backward tilt of mast	Forward/backward tilt of fork carriage
Fork tilt / Triplex mast DZ / cold-formed	6200 mm	2700 mm	1970 mm	6946 mm	2 / 5 °	
	6500 mm	2800 mm	2070 mm	7246 mm	2 / 5 °	
	6800 mm	2900 mm	2170 mm	7546 mm	2 / 5 °	
	6950 mm	2950 mm	2220 mm	7696 mm	2 / 5 °	
	7400 mm	3100 mm	2370 mm	8146 mm	2 / 5 °	
	7700 mm	3200 mm	2470 mm	8446 mm	2 / 5 °	
	8000 mm	3300 mm	2570 mm	8746 mm	2 / 5 °	
	8420 mm	3440 mm	2710 mm	9166 mm	2 / 5 °	
	8720 mm	3540 mm	2810 mm	9466 mm	2 / 5 °	
	9110 mm	3670 mm	2940 mm	9856 mm	2 / 5 °	
	9620 mm	3840 mm	3110 mm	10366 mm	2 / 5 °	
	9950 mm	3950 mm	3220 mm	10696 mm	2 / 5 °	
	10220 mm	4100 mm	3370 mm	10966 mm	2 / 5 °	
	10520 mm	4200 mm	3470 mm	11266 mm	2 / 5 °	
	10700 mm	4260 mm	3530 mm	11446 mm	2 / 5 °	
	10880 mm	4320 mm	3590 mm	11626 mm	2 / 5 °	
	11120 mm	4400 mm	3670 mm	11866 mm	2 / 5 °	
11510 mm	4530 mm	3800 mm	12256 mm	2 / 5 °		
ETV 320, ETV 325	Lift (h3)	Retracted mast height (h1)	Free lift (h2)	Extended mast height (h4)	Forward/backward tilt of mast	Forward/backward tilt of fork carriage
Fork tilt / Triplex mast DZ / cold-formed	12020 mm	4700 mm	3970 mm	12766 mm	2 / 5 °	
	12530 mm	4870 mm	4140 mm	13276 mm	2 / 5 °	
	12830 mm	4970 mm	4240 mm	13576 mm	2 / 5 °	
	13000 mm	5026 mm	4296 mm	13746 mm	2 / 5 °	

VDI table

Stand-on: 10/2020

Characteristic	1.1	Manufacturer (abbreviated description)	Jungheinrich					
	1.2	Manufacturer's type designation	ETV 318	ETV 320	ETM 325	ETV 325		
Characteristic	1.3	Drive	Electric					
	1.4	Operation	Sideways-seated					
	1.5	Load capacity/load	Q kg	1800	2000	2500		
	1.6	Load centre distance	c mm	600				
	1.8	Load distance, centre of drive axle to fork	x mm	364	412	389	487	
	1.8.1	Load distance, centre of drive axle to fork, mast extended	mm	205	230			
	1.9	Wheelbase	y mm	1460	1518	1673		
	Weights	2.1.1	Service weight (incl. battery)	kg	3522	3650	3895	3700
		2.3	Axle load unladen front/rear	kg	2074 / 1448	2163 / 1487	2274 / 1621	2264 / 1436
2.4		Axle load fork forward laden front/rear	kg	446 / 4876	558 / 5092	366 / 6029	602 / 5598	
2.5		Axle load fork back laden front/rear	kg	1805 / 3517	1953 / 3397	2057 / 4338	2032 / 4168	
Wheels/suspension system	3.1	Tyres	PU					
	3.2	Tyre size, front	Ø 343 x 114		Ø 343 x 140			
	3.3	Tyre size, rear	Ø 285 x 100	Ø 355 x 106	Ø 355 x 135			
	3.5	Wheels, number front/back (x=driven)	1x / 2					
	3.7	Tread width, rear	b ₁₁ mm	1136	1155	1034	1184	
Basic dimensions	4.2	Retracted mast height (h1)	h ₁ mm	2400				
	4.3	Free lift (h2)	h ₂ mm	1670				
	4.4	Lift (h3)	h ₃ mm	5300				
	4.5	Extended mast height (h4)	h ₄ mm	6046				
	4.7	Height of overhead guard (cab)	h ₆ mm	2190				
	4.8	Seat height/stand height	h ₇ mm	1057				
	4.10	Height of support arms	h ₈ mm	285	355			
	4.19	Overall length	l ₁ mm	2418	2459	2547		
	4.20	Length including fork shank	l ₂ mm	1306	1316	1494	1396	
	4.21.1	Overall width	b ₁ mm	1270	1290	1198	1348	
	4.21.2	Overall width	b ₂ mm	1270		1120	1270	
	4.22	Fork dimensions	s/ e/l mm	40 / 120 / 1150	50 / 140 / 1150			
	4.23	Fork carriage connection class		2B				
	4.24	Fork carriage width	b ₃ mm	830				
	4.25	Width across forks	b ₅ mm	335	356			
	4.26	Width between support arms/loading areas	b ₄ mm	940		790	940	
	4.28	Reach distance	mm	569	624	703	736	
	4.32	Ground clearance centre of wheelbase	m ₂ mm	80	95			
	4.34	Aisle width (pallet 1000x1200 sideways)	Ast mm	2737	2750	2921	2854	
	4.34.1	Aisle width (pallet 800x1200 length)	Ast mm	2790	2794	2969	2883	
4.35	Turning radius	W _a mm	1663	1710	1865			
4.37	Length over the support arms	L ₇ mm	1842	1920	2075			
Performance data	5.1	Travel speed laden/unladen	km/h	14 / 14				
	5.2	Lift speed laden/unladen	m/s	0.38 / 0.64		0.35 / 0.64		
	5.3	Lowering speed laden/unladen	m/s	0.55 / 0.55				
	5.4	Reach speed laden/unladen	m/s	0.2 / 0.2				
	5.7	Gradeability laden/unladen	%	7 / 11				

	5.8	Max. gradeability laden/unladen	%	9 / 13	10 / 15		
	5.9	Acceleration time laden/unladen	s	4.6 / 4.2		5.4 / 4.8	
	5.10	Service brake		electric			
E-motor/Electronics	6.1	Drive motor, performance S2 60 min	kW	8.5			
	6.2	Lift motor, performance with S3	kW	15.5			
	6.3	Battery according to DIN 43531/35/36		DIN 43531 C		DIN 43531 B	DIN 43531 C
	6.4	Battery voltage/nominal capacity	V / Ah	48 / 620		48 / 775	48 / 620
	6.5	Battery weight	kg	1005		1210	1005
	6.6	Energy consumption according to VDI cycle	kWh/h	4.3	4.5	4.9	
	6.7	Throughput	t/h	72.8	85.4	99.2	
	6.8.1	Energy consumption with max. throughput	kWh/h	4.1	4.15	4.3	
Other	8.1	Type of drive control		Mosfet/AC			
	10.1	Operating pressure for attachment	bar	150			
	10.2	Oil flow for attachments	l/min	20			
	10.7	Sound level as per EN12053, operator's ear	dB (A)	68			

- This data sheet according to VDI guideline 2198 only states the technical values of the standard truck. Different tyres, other masts, additional equipment etc. may result in different values.

The German production facilities in
Norderstedt, Moosburg and Landsberg
are certified.

ISO 9001
ISO 14001

Jungheinrich fork lift trucks meet
European safety requirements.



 **JUNGHEINRICH**

The logo features a red upward-pointing arrow integrated into the letter 'J' of the word 'JUNGHEINRICH', which is written in a bold, black, sans-serif font.