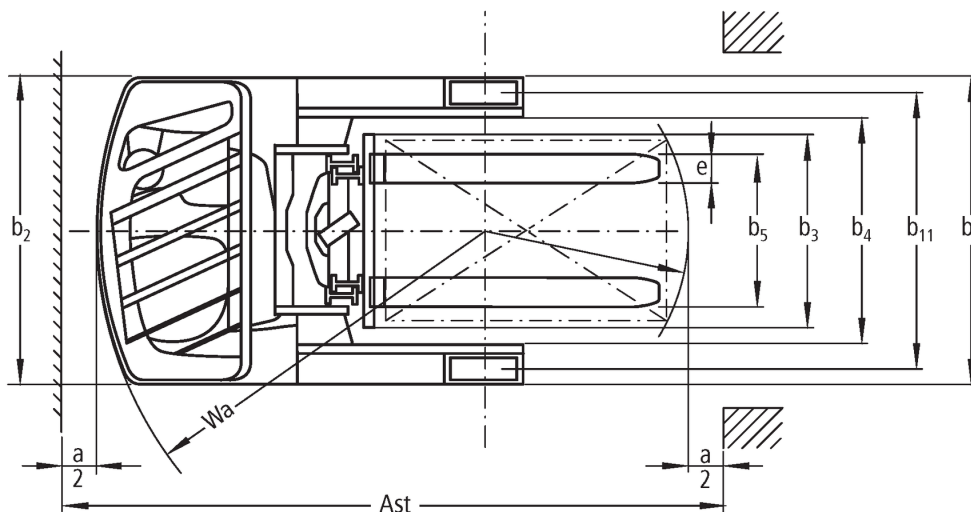
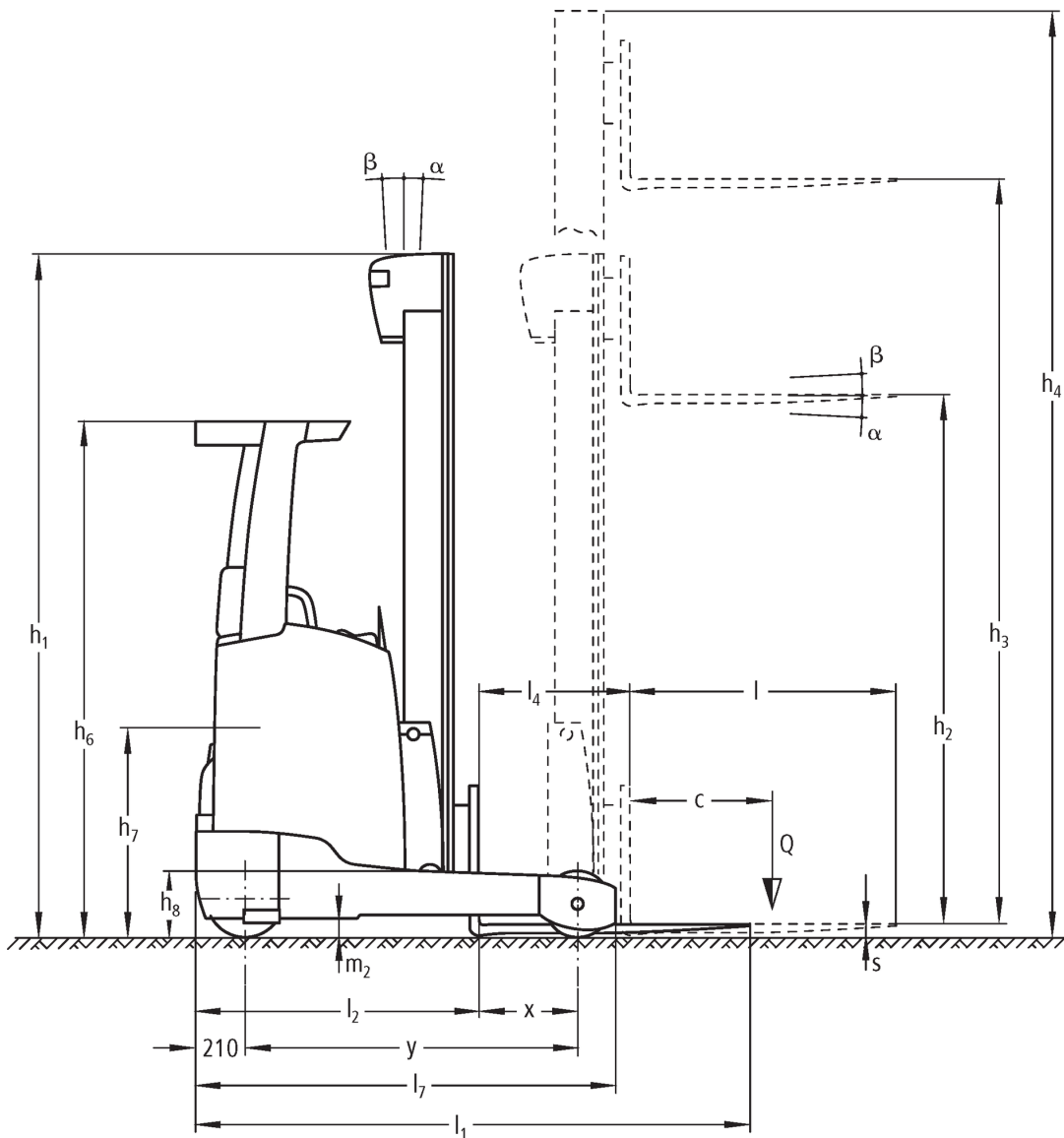




Electric reach truck **ETM/ETV 214 / 216**

Lift height: 4550-10700 mm / Load capacity: 1400-1600 kg

ETM/ETV 214 / 216



Reach truck ETM / ETV 214/216 2011

ETM/ETV 214 / 216

ETM 214, ETV 214, ETM 216, ETV 216	Lift (h3)	Retracted mast height (h1)	Free lift (h2)	Extended mast height (h4)	Forward/backward tilt of mast	Forward/backward tilt of fork carriage
Mast tilt / Triplex mast DZ / cold-formed	6500 mm	2700 mm	2056 mm	7144 mm	1 / 2 °	
	6800 mm	2800 mm	2156 mm	7444 mm	1 / 2 °	
	7100 mm	2900 mm	2256 mm	7744 mm	1 / 2 °	
	7310 mm	2970 mm	2326 mm	7954 mm	1 / 1 °	
	7400 mm	3000 mm	2356 mm	8044 mm	1 / 1 °	
	7700 mm	3100 mm	2456 mm	8344 mm	1 / 1 °	
	8000 mm	3200 mm	2556 mm	8644 mm	1 / 1 °	
	8300 mm	3300 mm	2656 mm	8944 mm	1 / 1 °	
	8420 mm	3340 mm	2696 mm	9064 mm	1 / 1 °	
	8720 mm	3440 mm	2796 mm	9364 mm	1 / 1 °	
	9020 mm	3540 mm	2896 mm	9664 mm	1 / 1 °	
Mast tilt / Triplex mast DZ / hot-rolled	4550 mm	2050 mm	1406 mm	5194 mm	1 / 5 °	
	5000 mm	2200 mm	1556 mm	5644 mm	1 / 5 °	
	5240 mm	2280 mm	1636 mm	5884 mm	1 / 5 °	
	5300 mm	2300 mm	1656 mm	5944 mm	1 / 5 °	
	5450 mm	2350 mm	1706 mm	6094 mm	1 / 3 °	
	5600 mm	2400 mm	1756 mm	6244 mm	1 / 3 °	
	5720 mm	2440 mm	1796 mm	6364 mm	1 / 3 °	
	5810 mm	2470 mm	1826 mm	6454 mm	1 / 3 °	
	5900 mm	2500 mm	1856 mm	6544 mm	1 / 3 °	
	6200 mm	2600 mm	1956 mm	6844 mm	1 / 3 °	
	6500 mm	2700 mm	2056 mm	7144 mm	1 / 2 °	
	6800 mm	2800 mm	2156 mm	7444 mm	1 / 2 °	
	7100 mm	2900 mm	2256 mm	7744 mm	1 / 2 °	
	7310 mm	2970 mm	2326 mm	7954 mm	1 / 1 °	
	7400 mm	3000 mm	2356 mm	8044 mm	1 / 1 °	
ETV 214, ETV 216	Lift (h3)	Retracted mast height (h1)	Free lift (h2)	Extended mast height (h4)	Forward/backward tilt of mast	Forward/backward tilt of fork carriage
Fork tilt / Triplex mast DZ / cold-formed	5000 mm	2200 mm	1556 mm	5644 mm	2 / 5 °	
	5300 mm	2300 mm	1656 mm	5944 mm	2 / 5 °	
	5600 mm	2400 mm	1756 mm	6244 mm	2 / 5 °	
	5900 mm	2500 mm	1856 mm	6544 mm	2 / 5 °	
	6200 mm	2600 mm	1956 mm	6844 mm	2 / 5 °	
	6500 mm	2700 mm	2056 mm	7144 mm	2 / 5 °	
	6800 mm	2800 mm	2156 mm	7444 mm	2 / 5 °	
	7100 mm	2900 mm	2256 mm	7744 mm	2 / 5 °	
	7400 mm	3000 mm	2356 mm	8044 mm	2 / 5 °	
	7700 mm	3100 mm	2456 mm	8344 mm	2 / 5 °	
	8000 mm	3200 mm	2556 mm	8644 mm	2 / 5 °	
	8300 mm	3300 mm	2656 mm	8944 mm	2 / 5 °	
	8420 mm	3340 mm	2696 mm	9064 mm	2 / 5 °	
	8720 mm	3440 mm	2796 mm	9364 mm	2 / 5 °	
	9020 mm	3540 mm	2896 mm	9664 mm	2 / 5 °	
	9410 mm	3670 mm	3026 mm	10054 mm	2 / 5 °	
	9920 mm	3840 mm	3196 mm	10564 mm	2 / 5 °	
	10250 mm	3950 mm	3306 mm	10894 mm	2 / 5 °	
10520 mm	4040 mm	3396 mm	11164 mm	2 / 5 °		

10700 mm

4100 mm

3456 mm

11344 mm

2 / 5 °

VDI table

Stand-on: 10/2020

Characteristic	Code	Description	Unit	Jungheinrich			
				ETM 214	ETV 214	ETM 216	ETV 216
Characteristic	1.1	Manufacturer (abbreviated description)		Jungheinrich			
	1.2	Manufacturer's type designation		ETM 214	ETV 214	ETM 216	ETV 216
	1.3	Drive		Electric			
	1.4	Operation		Sideways-seated			
	1.5	Load capacity/load	Q kg	1400		1600	
	1.6	Load centre distance	c mm	600			
	1.8	Load distance, centre of drive axle to fork	x mm	353	423	403	413
	1.8.1	Load distance, centre of drive axle to fork, mast extended	mm	205			
	1.9	Wheelbase	y mm	1410		1460	
Weights	2.1.1	Service weight (incl. battery)	kg	2975	3000	3110	3136
	2.3	Axle load unladen front/rear	kg	1785 / 1190	1830 / 1170	1835 / 1275	1882 / 1254
	2.4	Axle load fork forward laden front/rear	kg	481 / 3894	572 / 3828	518 / 4192	521 / 4215
	2.5	Axle load fork back laden front/rear	kg	1531 / 2844	1628 / 2772	1649 / 3061	1658 / 3078
Wheels/suspension system	3.1	Tyres		PU			
	3.2	Tyre size, front		Ø 343 x 114			
	3.3	Tyre size, rear		Ø 285 x 100			
	3.5	Wheels, number front/back (x=driven)		1x / 2			
	3.7	Tread width, rear	b ₁₁ mm	986	1136	986	1136
Basic dimensions	4.2	Retracted mast height (h1)	h ₁ mm	2400			
	4.3	Free lift (h2)	h ₂ mm	1756			
	4.4	Lift (h3)	h ₃ mm	5600			
	4.5	Extended mast height (h4)	h ₄ mm	6244			
	4.7	Height of overhead guard (cab)	h ₆ mm	2190			
	4.8	Seat height/stand height	h ₇ mm	1057			
	4.10	Height of support arms	h ₈ mm	285			
	4.19	Overall length	l ₁ mm	2418	2346	2418	2408
	4.20	Length including fork shank	l ₂ mm	1268	1198	1268	1258
	4.21.1	Overall width	b ₁ mm	1120	1270	1120	1270
	4.21.2	Overall width	b ₂ mm	1120	1270	1120	1270
	4.22	Fork dimensions	s/ e/l mm	40 / 120 / 1150			
	4.23	Fork carriage connection class		2B			
	4.24	Fork carriage width	b ₃ mm	830			
	4.25	Width across forks	b ₅ mm	335			
	4.26	Width between support arms/loading areas	b ₄ mm	780	940	780	940
	4.28	Reach distance	mm	558	628	608	618
	4.32	Ground clearance centre of wheelbase	m ₂ mm	80			
	4.34	Aisle width (pallet 1000x1200 sideways)	Ast mm	2702	2652	2716	2709
4.34.1	Aisle width (pallet 800x1200 length)	Ast mm	2757	2694	2762	2753	
4.35	Turning radius	W _a mm	1620		1670		
4.37	Length over the support arms	L ₇ mm	1780		1830		
Performance data	5.1	Travel speed laden/unladen	km/h	14 / 14			
	5.2	Lift speed laden/unladen	m/s	0.51 / 0.7		0.48 / 0.7	
	5.3	Lowering speed laden/unladen	m/s	0.55 / 0.55			
	5.4	Reach speed laden/unladen	m/s	0.24 / 0.24			
	5.7	Gradeability laden/unladen	%	9 / 13		8 / 12	
	5.8	Max. gradeability laden/unladen	%	10 / 15			

	5.9	Acceleration time laden/unladen	s	4.6 / 4.3			
	5.10	Service brake		electric			
E-motor/Electronics	6.1	Drive motor, performance S2 60 min	kW	8.5			
	6.2	Lift motor, performance with S3	kW	15.5			
	6.3	Battery according to DIN 43531/35/36		DIN 43531 B	DIN 43531 C	DIN 43531 B	DIN 43531 C
	6.4	Battery voltage/nominal capacity	V / Ah	48 / 465			
	6.5	Battery weight	kg	750			
	6.6	Energy consumption according to VDI cycle	kWh/h	3.4		3.6	
	6.7	Throughput	t/h	64		73	
	6.8.1	Energy consumption with max. throughput	kWh/h	3.7		3.8	
Other	8.1	Type of drive control		Mosfet/AC			
	10.1	Operating pressure for attachment	bar	150			
	10.2	Oil flow for attachments	l/min	20			
	10.7	Sound level as per EN12053, operator's ear	dB (A)	68			

- This data sheet according to VDI guideline 2198 only states the technical values of the standard truck. Different tyres, other masts, additional equipment etc. may result in different values.

The German production facilities in
Norderstedt, Moosburg and Landsberg
are certified.

ISO 9001
ISO 14001

Jungheinrich fork lift trucks meet
European safety requirements.



 **JUNGHEINRICH**

The Jungheinrich logo, featuring a red upward-pointing arrow integrated into the letter 'J', followed by the brand name 'JUNGHEINRICH' in a bold, black, sans-serif font.