

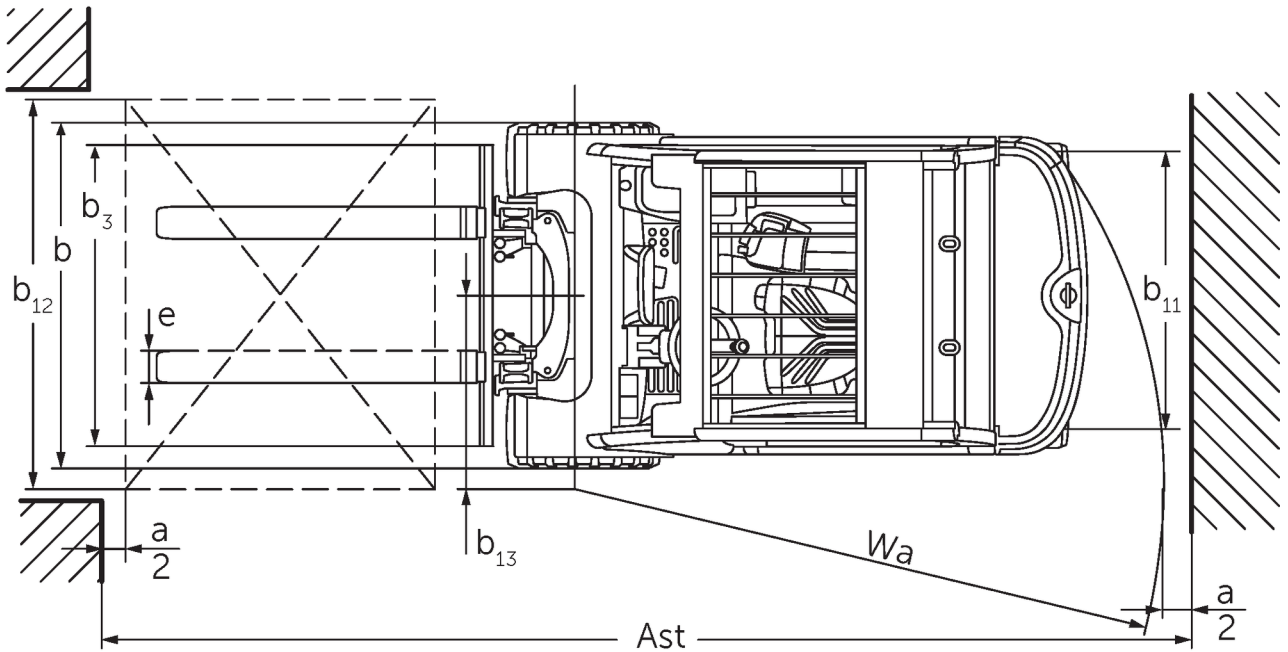
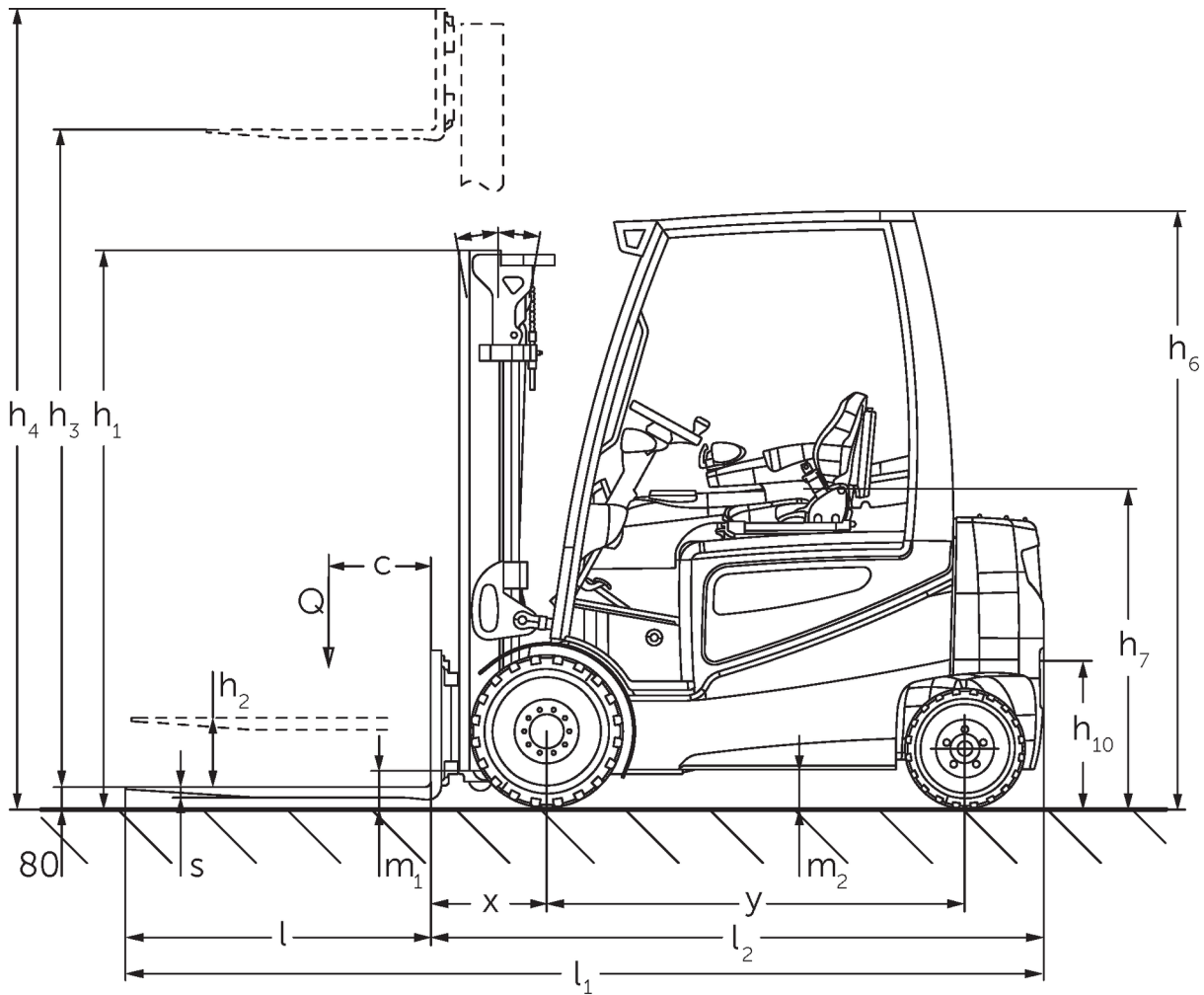


Electric four wheel counterbalance forklift truck

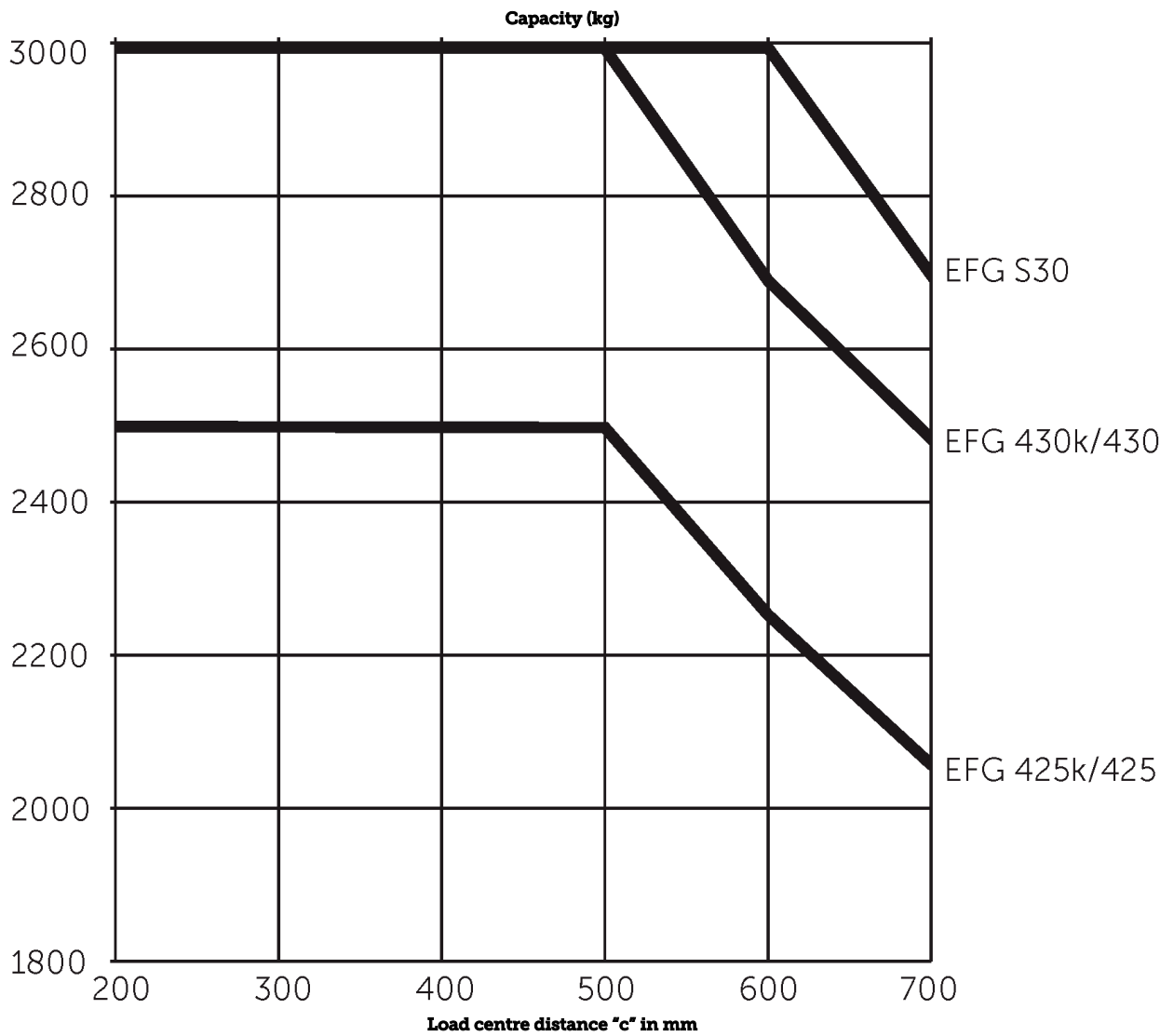
EFG 425-S30

Lift height: 2900-7500 mm / Load capacity: 2500-3000 kg

EFG 425-S30



EFG 425-S30



EFG 425-S30

EFG 425k, EFG 425	Lift (h3)	Retracted mast height (h1)	Free lift (h2)	Extended mast height (h4)	Forward/backward tilt of mast
Duplex mast ZT	2900 mm	2125 mm	150 mm	3655 mm	6 / 8 °
	3100 mm	2225 mm	150 mm	3855 mm	6 / 8 °
	3300 mm	2325 mm	150 mm	4055 mm	6 / 8 °
	3500 mm	2425 mm	150 mm	4255 mm	6 / 8 °
	3700 mm	2525 mm	150 mm	4455 mm	6 / 8 °
	4000 mm	2675 mm	150 mm	4755 mm	6 / 8 °
	4300 mm	2875 mm	150 mm	5055 mm	6 / 8 °
	4500 mm	2975 mm	150 mm	5255 mm	6 / 8 °
Duplex mast ZZ	3100 mm	2190 mm	1600 mm	3690 mm	6 / 8 °
	3300 mm	2290 mm	1700 mm	3890 mm	6 / 8 °
	3500 mm	2390 mm	1800 mm	4090 mm	6 / 8 °
	3700 mm	2490 mm	1900 mm	4290 mm	6 / 8 °
	4000 mm	2640 mm	2050 mm	4590 mm	6 / 8 °
Triplex mast DZ	4400 mm	2090 mm	1500 mm	4990 mm	6 / 8 °
	4700 mm	2190 mm	1600 mm	5290 mm	6 / 5,5 °
	5000 mm	2290 mm	1700 mm	5590 mm	6 / 5,5 °
	5500 mm	2490 mm	1900 mm	6090 mm	6 / 5,5 °
	6000 mm	2690 mm	2100 mm	6590 mm	6 / 5,5 °
	6500 mm	2890 mm	2300 mm	7090 mm	6 / 3 °
	7000 mm	3090 mm	2500 mm	7590 mm	6 / 3 °
	7500 mm	3290 mm	2700 mm	8090 mm	6 / 3 °
EFG 430k, EFG 430	Lift (h3)	Retracted mast height (h1)	Free lift (h2)	Extended mast height (h4)	Forward/backward tilt of mast
Duplex mast ZT	2900 mm	2122 mm	150 mm	3657 mm	6 / 8 °
	3100 mm	2222 mm	150 mm	3857 mm	6 / 8 °
	3300 mm	2322 mm	150 mm	4057 mm	6 / 8 °
	3500 mm	2422 mm	150 mm	4257 mm	6 / 8 °
	3700 mm	2522 mm	150 mm	4457 mm	6 / 8 °
	4000 mm	2672 mm	150 mm	4757 mm	6 / 8 °
	4300 mm	2872 mm	150 mm	5057 mm	6 / 8 °
	4500 mm	2972 mm	150 mm	5257 mm	6 / 8 °
Duplex mast ZZ	3100 mm	2187 mm	1450 mm	3837 mm	6 / 8 °
	3300 mm	2287 mm	1550 mm	4037 mm	6 / 8 °
	3500 mm	2387 mm	1650 mm	4237 mm	6 / 8 °
	3700 mm	2487 mm	1750 mm	4437 mm	6 / 8 °
	4000 mm	2637 mm	1900 mm	4737 mm	6 / 8 °
Triplex mast DZ	4400 mm	2087 mm	1350 mm	5137 mm	6 / 8 °
	4700 mm	2187 mm	1450 mm	5437 mm	6 / 5,5 °
	5000 mm	2287 mm	1550 mm	5737 mm	6 / 5,5 °
	5500 mm	2487 mm	1750 mm	6237 mm	6 / 5,5 °
	6000 mm	2687 mm	1950 mm	6737 mm	6 / 5,5 °
	6500 mm	2887 mm	2150 mm	7237 mm	6 / 3 °
	7000 mm	3087 mm	2350 mm	7737 mm	6 / 3 °
	7500 mm	3287 mm	2550 mm	8237 mm	6 / 3 °
EFG S30	Lift (h3)	Retracted mast height (h1)	Free lift (h2)	Extended mast height (h4)	Forward/backward tilt of mast
Duplex mast ZT	2900 mm	2122 mm	150 mm	3657 mm	6 / 8 °
	3100 mm	2222 mm	150 mm	3857 mm	6 / 8 °
	3300 mm	2322 mm	150 mm	4057 mm	6 / 8 °

	3500 mm	2422 mm	150 mm	4257 mm	6 / 8 °
	3700 mm	2522 mm	150 mm	4457 mm	6 / 8 °
	4000 mm	2672 mm	150 mm	4757 mm	6 / 8 °
	4300 mm	2872 mm	150 mm	5057 mm	6 / 8 °
	4500 mm	2972 mm	150 mm	5257 mm	6 / 8 °
Duplex mast ZZ	3100 mm	2187 mm	1450 mm	3837 mm	6 / 8 °
	3300 mm	2287 mm	1550 mm	4037 mm	6 / 8 °
	3500 mm	2387 mm	1650 mm	4237 mm	6 / 8 °
	3700 mm	2487 mm	1750 mm	4437 mm	6 / 8 °
	4000 mm	2637 mm	1900 mm	4737 mm	6 / 8 °
Triplex mast DZ	4400 mm	2087 mm	1350 mm	5137 mm	6 / 8 °
	4700 mm	2187 mm	1450 mm	5437 mm	6 / 5,5 °
	5000 mm	2287 mm	1550 mm	5737 mm	6 / 5,5 °
	5500 mm	2487 mm	1750 mm	6237 mm	6 / 5,5 °
	6000 mm	2687 mm	1950 mm	6737 mm	6 / 5,5 °
	6500 mm	2887 mm	2150 mm	7237 mm	6 / 3 °
	7000 mm	3087 mm	2350 mm	7737 mm	6 / 3 °
	7500 mm	3287 mm	2550 mm	8237 mm	6 / 3 °

VDI table

Stand-on: 10/2020

Characteristic	1.1	Manufacturer (abbreviated description)	Jungheinrich						
			EFG 425k	EFG 425	EFG 430k	EFG 430	EFG S30		
	1.2	Manufacturer's type designation							
	1.3	Drive	Electric						
	1.4	Operation	Seat						
	1.5	Load capacity/load	Q	kg	2500	3000			
	1.6	Load centre distance	c	mm	500			600	
	1.8	Load distance, centre of drive axle to fork	x	mm	425		447		
	1.9	Wheelbase	y	mm	1575	1720	1575	1720	
Weights	2.1.1	Service weight (incl. battery)		kg	4770	4680	5260	5080	5330
	2.2	Axle load laden front/rear		kg	6440 / 830	6590 / 590	7360 / 910	7450 / 630	7603 / 710
	2.3	Axle load unladen front/rear		kg	2450 / 2320	2720 / 1960	2530 / 2730	2770 / 2310	2763 / 2550
Wheels/suspension system	3.1	Tyres	SE						
	3.2	Tyre size, front	225 / 75-10		250 / 60-12		315 / 45-12		
	3.3	Tyre size, rear	180 / 70-8		200 / 50-10	180 / 70-8	200 / 50-10		
	3.5	Wheels, number front/back (x=driven)	2X / 2						
	3.6	Tread width, front	b ₁₀	mm	990	950		1000	
	3.7	Tread width, rear	b ₁₁	mm	940				
	Basic dimensions	4.2	Retracted mast height (h1)	h ₁	mm	2225		2222	
4.3		Free lift (h2)	h ₂	mm	150				
4.4		Lift (h3)	h ₃	mm	3100				
4.5		Extended mast height (h4)	h ₄	mm	3855		3857		
4.7		Height of overhead guard (cab)	h ₆	mm	2240				
4.8		Seat height/stand height	h ₇	mm	1190				
4.12		Coupling height	h ₁₀	mm	385				
4.12.1		2. Coupling height		mm	540				
4.19.4		Length including fork length	l ₁	mm	3446	3591	3467	3612	
4.20		Length including fork shank	l ₂	mm	2296	2441	2317	2462	
4.21.1		Overall width	b ₁	mm	1198			1300	
4.22		Fork dimensions	s/ e/l	mm	40 / 120 / 1150		45 / 125 / 1150		
4.23		Fork carriage connection class			2A		3A		
4.24		Fork carriage width	b ₃	mm	1120				
4.31		Ground clearance laden under mast	m ₁	mm	117				
4.32		Ground clearance centre of wheelbase	m ₂	mm	135				
4.34		Aisle width (pallet 1000x1200 sideways)	Ast	mm	3625	3775	3647	3797	
4.34.1	Aisle width (pallet 800x1200 length)	Ast	mm	3825	3975	3847	3997		
4.35	Turning radius	W _a	mm	2000	2150	2000	2150		
4.36	Smallest pivot point distance	b ₁₃	mm	600			650		
Performance data	5.1	Travel speed laden/unladen		km/h	19 / 20				
	5.2	Lift speed laden/unladen		m/s	0.48 / 0.6		0.43 / 0.6		
	5.3	Lowering speed laden/unladen		m/s	0.58 / 0.58				
	5.5	Drawbar pull laden/unladen	N		5100 / 5600	4900 / 5500	5000 / 5800		
	5.6	Max. drawbar pull laden/unladen	N		16000 / 16300		15700 / 16000		
	5.7	Gradeability laden/unladen	%		10 / 16		9 / 15		8 / 14
	5.8	Max. gradeability laden/unladen	%		19 / 27		17 / 25	18 / 26	17 / 25

	5.9	Acceleration time laden/unladen	s	4.5 / 4			
	5.10	Service brake		Mechanical			
E-motor/Electronics	6.1	Drive motor, performance S2 60 min	kW	15			
	6.2	Lift motor, performance with S3	kW	22			
	6.3	Battery according to DIN 43531/35/36		DIN 43536 A			
	6.4	Battery voltage/nominal capacity	V / Ah	80 / 620	80 / 775	80 / 620	80 / 775
	6.5	Battery weight	kg	1540	1863	1540	1863
	6.6	Energy consumption according to VDI cycle	kWh/h	0			
	6.6.1	Energy consumption according to EN cycle	kWh/h	6		6.9	7.8
	6.6.2	CO2 equivalent as per EN 16796	kg/h	3.2		3.7	4.2
	6.7	Throughput	t/h	196		225	220
	6.8.1	Energy consumption with max. throughput	kWh/h	7		7.2	8.1
Other	8.1	Type of drive control		Impulse/AC			
	10.1	Operating pressure for attachment	bar	200			
	10.2	Oil flow for attachments	l/min	30			
	10.7	Sound level as per EN12053, operator's ear	dB (A)	70			
	10.8	Trailer coupling, model/type DIN		DIN 15170 H			
- This data sheet according to VDI guideline 2198 only states the technical values of the standard truck. Different tyres, other masts, additional equipment etc. may result in different values.							

- 1.8: for EFG 425 +10 mm for DZ mast - 5.1: With drive&liftPLUS options package - 5.2: With drive&liftPLUS options package - 5.3: With drive&liftPLUS options package - 5.5: With drive&liftPLUS options package - 5.6: With drive&liftPLUS options package - 5.7: With drive&liftPLUS options package - 5.8: With drive&liftPLUS options package - 5.9.1: With drive&liftPLUS options package - 6.1: With drive&liftPLUS options package - 6.2: With drive&liftPLUS options package - 6.6.1: 60 VDI working cycles / h - 6.6: With drive&liftPLUS options package - 6.7: With drive&liftPLUS options package - 6.8: With Efficiency options package

The German production facilities in
Norderstedt, Moosburg and Landsberg
are certified.

ISO 9001
ISO 14001

Jungheinrich fork lift trucks meet
European safety requirements.



 **JUNGHEINRICH**

The logo features a red upward-pointing arrow integrated into the letter 'J' of the word 'JUNGHEINRICH', which is written in a bold, black, sans-serif font.