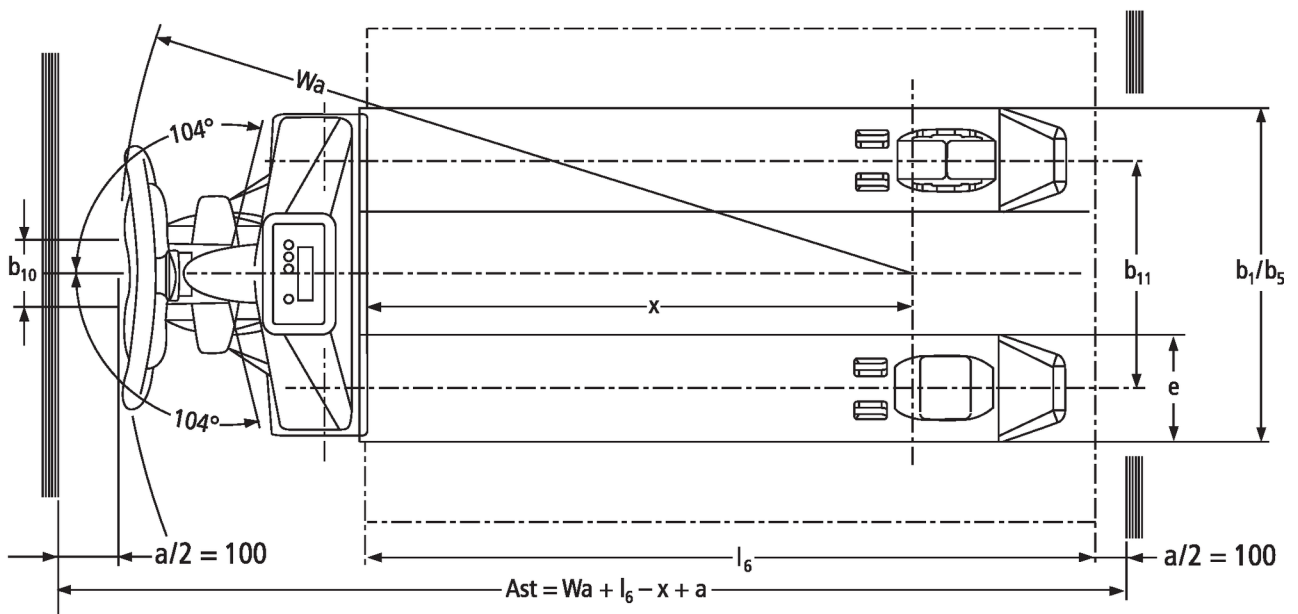
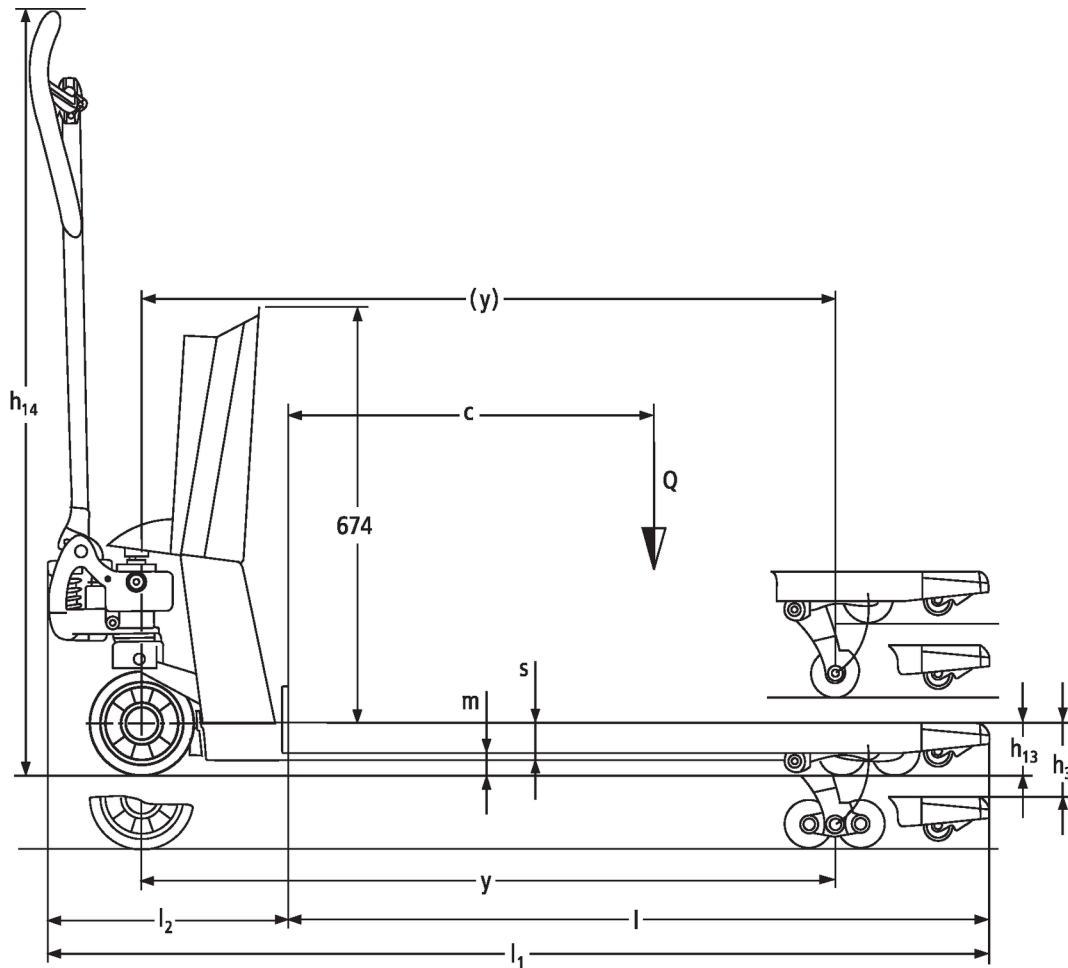




Hand pallet truck with scales **AMW 22 / 22p**

Lift height: 122 mm / Load capacity: 2200 kg

AMW 22 / 22p



VDI table

Stand-on: 10/2020

Characteristic	1.1	Manufacturer (abbreviated description)	Jungheinrich								
			AMW 22	AMW 22p	AMW 22	AMW 22p					
Characteristic	1.2	Manufacturer's type designation									
	1.3	Drive	Manual								
	1.4	Operation	Manual								
	1.5	Load capacity/load	Q	kg		2200					
	1.6	Load centre distance	c	mm		600					
	1.9	Wheelbase	y	mm		1110					
	Weights	2.1	Service weight	kg			99		102		
2.2		Axle load laden front/rear	kg		578 / 1721						
2.3		Axle load unladen front/rear	kg		61 / 38						
Wheels/suspension system	3.1	Tyres	C, V	V, V	C, V	V, V	C, V		V, V		
	3.2	Tyre size, front	Ø 170x50	Ø 170 x 50	Ø 170x50	Ø 170 x 50		Ø 170x50	Ø 170 x 50	Ø 170x50	
	3.3	Tyre size, rear	Ø 82x96	Ø 82 x 96	Ø 82x96	Ø 82 x 96		Ø 82x96	Ø 82 x 96	Ø 82x96	
	3.5	Wheels, number front/back (x=driven)	2/2								
	3.6	Tread width, front	b ₁₀	mm		109					
	3.7	Tread width, rear	b ₁₁	mm		370					
	Basic dimensions	4.4	Lift (h ₃)	h ₃		mm		122			
4.9		Height of tiller handle in drive position min./ max.	mm		1234	1234 /	1234				
4.15		Height, lowered	h ₁₃		mm		86				
4.19		Overall length	l ₁		mm		1546				
4.20		Length including fork shank	l ₂		mm		396				
4.21.1		Overall width	b ₁		mm		540				
4.22		Fork dimensions	s/ e/l		mm		62 / 170 / 1150				
4.25		Width across forks	b ₅		mm		540				
4.32		Ground clearance centre of wheelbase	m ₂		mm		24				
4.34		Aisle width (pallet 1000x1200 sideways)	Ast		mm		1763				
4.34.1		Aisle width (pallet 800x1200 length)	Ast		mm		1813				
4.35		Turning radius	W _a		mm		1303				
Performance data	5.3	Lowering speed laden/unladen	m/s		0.09 / 0.02						
E-motor/ Electronics	6.4	Battery voltage/nominal capacity	V / Ah		1.5 /	12 / 1.2	1.5 /	12 / 1.2	15 / 5	12 / 1.2	

- This data sheet according to VDI guideline 2198 only states the technical values of the standard truck. Different tyres, other masts, additional equipment etc. may result in different values.

The German production facilities in
Norderstedt, Moosburg and Landsberg
are certified.

ISO 9001
ISO 14001

Jungheinrich fork lift trucks meet
European safety requirements.



 **JUNGHEINRICH**

The logo features a red upward-pointing arrow integrated into the letter 'J' of the word 'JUNGHEINRICH', which is written in a bold, black, sans-serif font.