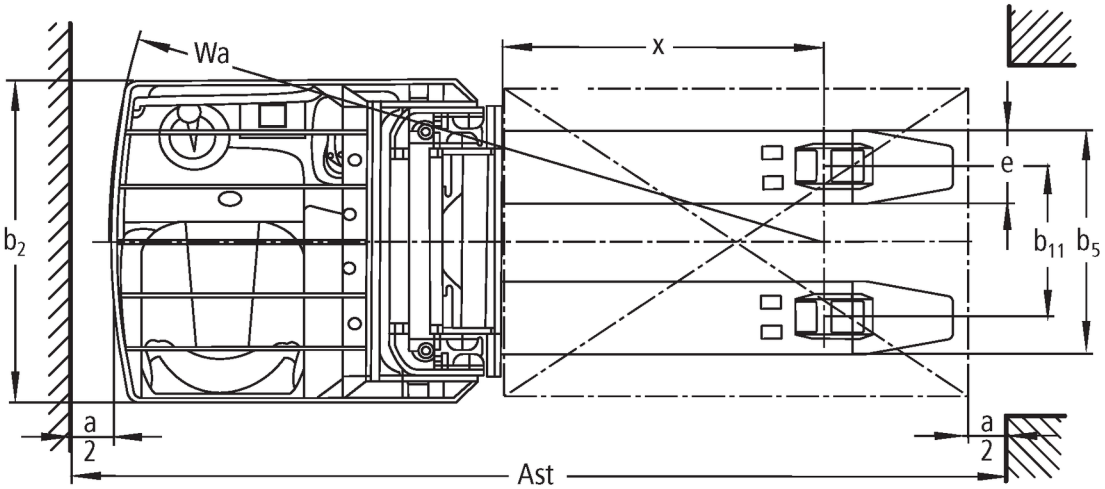
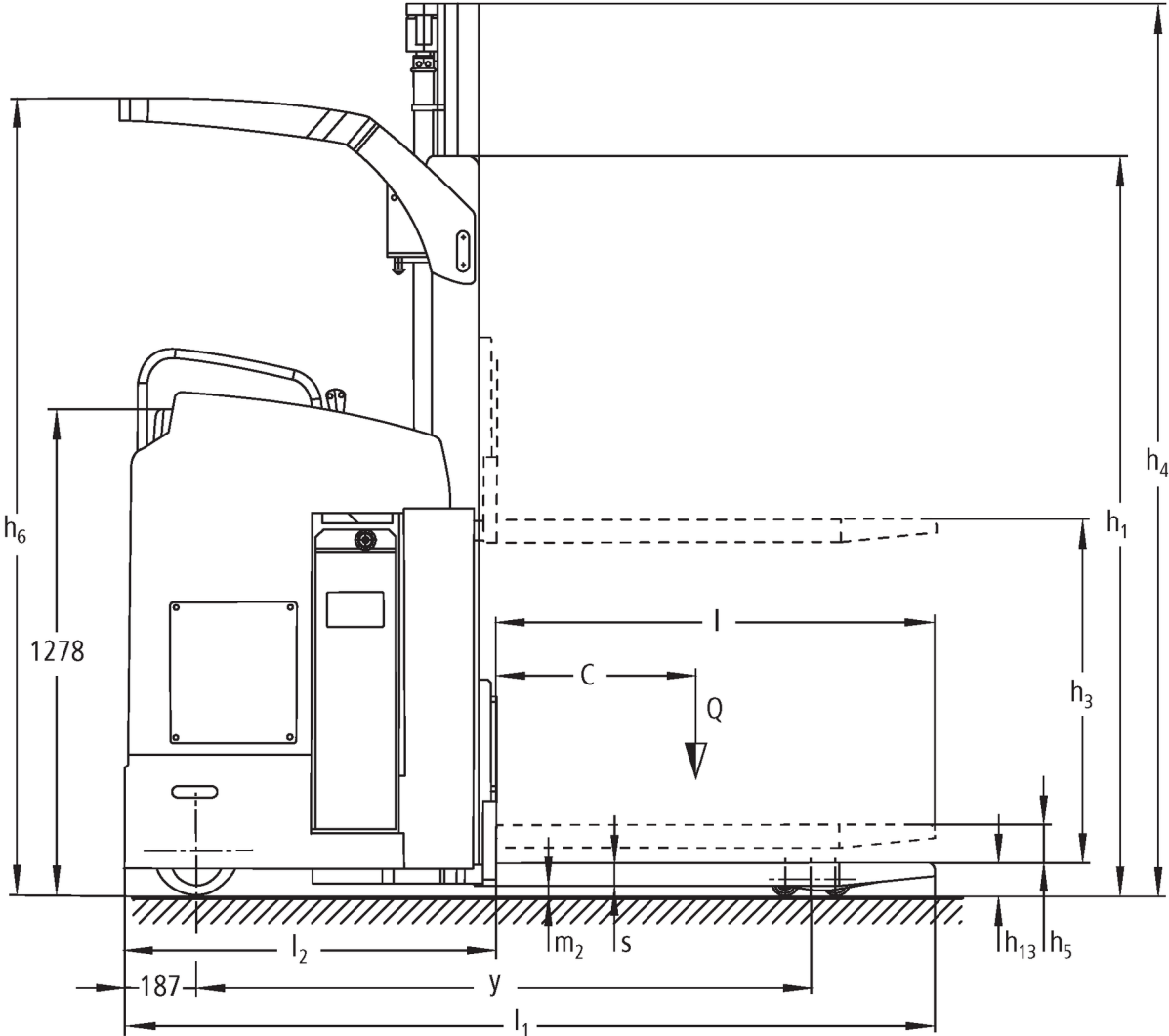




## **Electric sideways-seated stacker** **ESC 214 / 216 / 214z / 216z**

**Lift height: 2800-6200 mm / Load capacity: 1400-1600 kg**

# ESC 214 / 216 / 214z / 216z



# ESC 214 / 216 / 214z / 216z

ESC 214, ESC 214z	Lift (h3)	Retracted mast height (h1)	Free lift (h2)	Extended mast height (h4)
Duplex mast ZT	2900 mm	1995 mm	100 mm	3422 mm
	3200 mm	2145 mm	100 mm	3722 mm
	3600 mm	2345 mm	100 mm	4122 mm
	4100 mm	2595 mm	100 mm	4622 mm
	4300 mm	2695 mm	100 mm	4822 mm
Duplex mast ZZ	2900 mm	1945 mm	1420 mm	3422 mm
	3200 mm	2095 mm	1570 mm	3722 mm
	3600 mm	2295 mm	1770 mm	4122 mm
	4100 mm	2545 mm	2020 mm	4622 mm
	4300 mm	2645 mm	2120 mm	4822 mm
Triplex mast DZ	4300 mm	1945 mm	1426 mm	4830 mm
	5350 mm	2295 mm	1776 mm	5880 mm
ESC 216, ESC 216z	Lift (h3)	Retracted mast height (h1)	Free lift (h2)	Extended mast height (h4)
Duplex mast ZT	2800 mm	1995 mm	100 mm	3372 mm
	3100 mm	2145 mm	100 mm	3672 mm
	3500 mm	2345 mm	100 mm	4072 mm
	4000 mm	2595 mm	100 mm	4572 mm
	4200 mm	2695 mm	100 mm	4772 mm
Duplex mast ZZ	2800 mm	1945 mm	1373 mm	3372 mm
	3100 mm	2095 mm	1523 mm	3672 mm
	3500 mm	2295 mm	1723 mm	4072 mm
	4000 mm	2545 mm	1973 mm	4572 mm
	4200 mm	2645 mm	2073 mm	4772 mm
Triplex mast DZ	4200 mm	1945 mm	1376 mm	4770 mm
	5250 mm	2295 mm	1726 mm	5820 mm
	6200 mm	2615 mm	2046 mm	6790 mm

# VDI table

Stand-on: 10/2020

Characteristic	No.	Description	Unit	Jungheinrich			
				ESC 214	ESC 216	ESC 214z	ESC 216z
Characteristic	1.1	Manufacturer (abbreviated description)					
	1.2	Manufacturer's type designation					
	1.3	Drive		Electric			
	1.4	Operation		Seat			
	1.5	Load capacity/load	Q kg	1400	1600	1400	1600
	1.6	Load centre distance	c mm	600			
	1.8	Load distance, centre of drive axle to fork	x mm	860		874	
	1.9	Wheelbase	y mm	1648		1677	
	Weights	2.1.1	Service weight (incl. battery)	kg	1590		1660
2.2		Axle load laden front/rear	kg	1316 / 1674	1340 / 1850	1285 / 1775	1370 / 1890
2.3		Axle load unladen front/rear	kg	1113 / 477		1162 / 498	
Wheels/suspension system	3.1	Tyres		Polyurethane			
	3.2	Tyre size, front		Ø 230 x 77			
	3.3	Tyre size, rear		Ø 85 x 85			
	3.4	Additional wheels		Ø 140 x 126			
	3.5	Wheels, number front/back (x=driven)		2 - 1x / 4			
	3.6	Tread width, front	b <sub>10</sub> mm	544			
	3.7	Tread width, rear	b <sub>11</sub> mm	385			
Basic dimensions	4.2	Retracted mast height (h1)	h <sub>1</sub> mm	1995			
	4.3	Free lift (h2)	h <sub>2</sub> mm	100			
	4.4	Lift (h3)	h <sub>3</sub> mm	2900	2800	2900	2800
	4.5	Extended mast height (h4)	h <sub>4</sub> mm	3422			
	4.6	Initial lift	h <sub>5</sub> mm	-		125	
	4.7	Height of overhead guard (cab)	h <sub>6</sub> mm	2095			
	4.8	Seat height/stand height	h <sub>7</sub> mm	950			
	4.15	Height, lowered	h <sub>13</sub> mm	90			
	4.19.4	Length including fork length	l <sub>1</sub> mm	2125		2140	
	4.20	Length including fork shank	l <sub>2</sub> mm	975		990	
	4.21.1	Overall width	b <sub>1</sub> mm	820			
	4.22	Fork dimensions	s/ e/l mm	60 / 185 / 1150			65 / 185 / 1150
	4.25	Width across forks	b <sub>5</sub> mm	570			
	4.32	Ground clearance centre of wheelbase	m <sub>2</sub> mm	30		25	
	4.34.1	Aisle width (pallet 800x1200 length)	A <sub>st</sub> mm	2383		2398	
4.35	Turning radius	W <sub>a</sub> mm	1843		1872		
Performance data	5.1	Travel speed laden/unladen	km/h	9.1 / 9.1			
	5.2	Lift speed laden/unladen	m/s	0.15 / 0.24	0.13 / 0.24	0.14 / 0.23	
	5.3	Lowering speed laden/unladen	m/s	0.42 / 0.42		0.42 / 0.38	
	5.7	Gradeability laden/unladen	%	7 / 12			
	5.10	Service brake		electric			
E-motor/Electronics	6.1	Drive motor, performance S2 60 min	kW	2.8			
	6.2	Lift motor, performance with S3	kW	3			
	6.3	Battery according to DIN 43531/35/36		no			
	6.4	Battery voltage/nominal capacity	V / Ah	24 / 465			
	6.5	Battery weight	kg	380			
	6.6	Energy consumption according to VDI cycle	kWh/h	0			

	6.6.1	Energy consumption according to EN cycle	kWh/h	0.94	1.02	0.94	1.02
	6.6.2	CO2 equivalent as per EN 16796	kg/h	0.5	0.6	0.5	0.6
Other	8.1	Type of drive control		AC			
<p>- This data sheet according to VDI guideline 2198 only states the technical values of the standard truck. Different tyres, other masts, additional equipment etc. may result in different values.</p>							

- 1.8: With ESC 214/216z load section raised: - 78 mm - 1.9: With ESC 214/216z load section raised: - 78 mm - 4.7: See mast table - 4.34: Diagonal as per VDI: + 190 mm - 4.35: With ESC 214/216z load section raised: - 78 mm

The German production facilities in  
Norderstedt, Moosburg and Landsberg  
are certified.

ISO 9001  
ISO 14001

Jungheinrich fork lift trucks meet  
European safety requirements.



 **JUNGHEINRICH**

The Jungheinrich logo, featuring a red upward-pointing arrow integrated into the letter 'J', followed by the word 'JUNGHEINRICH' in a bold, black, sans-serif font.