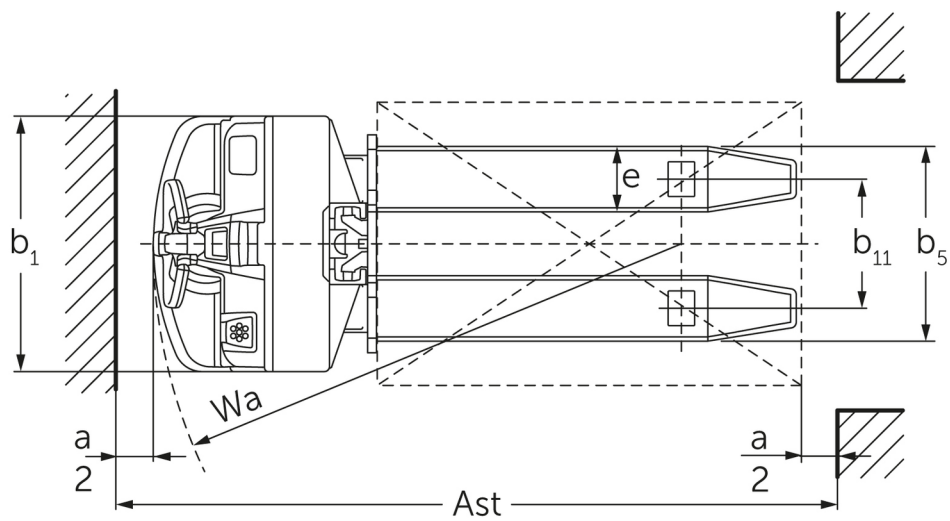
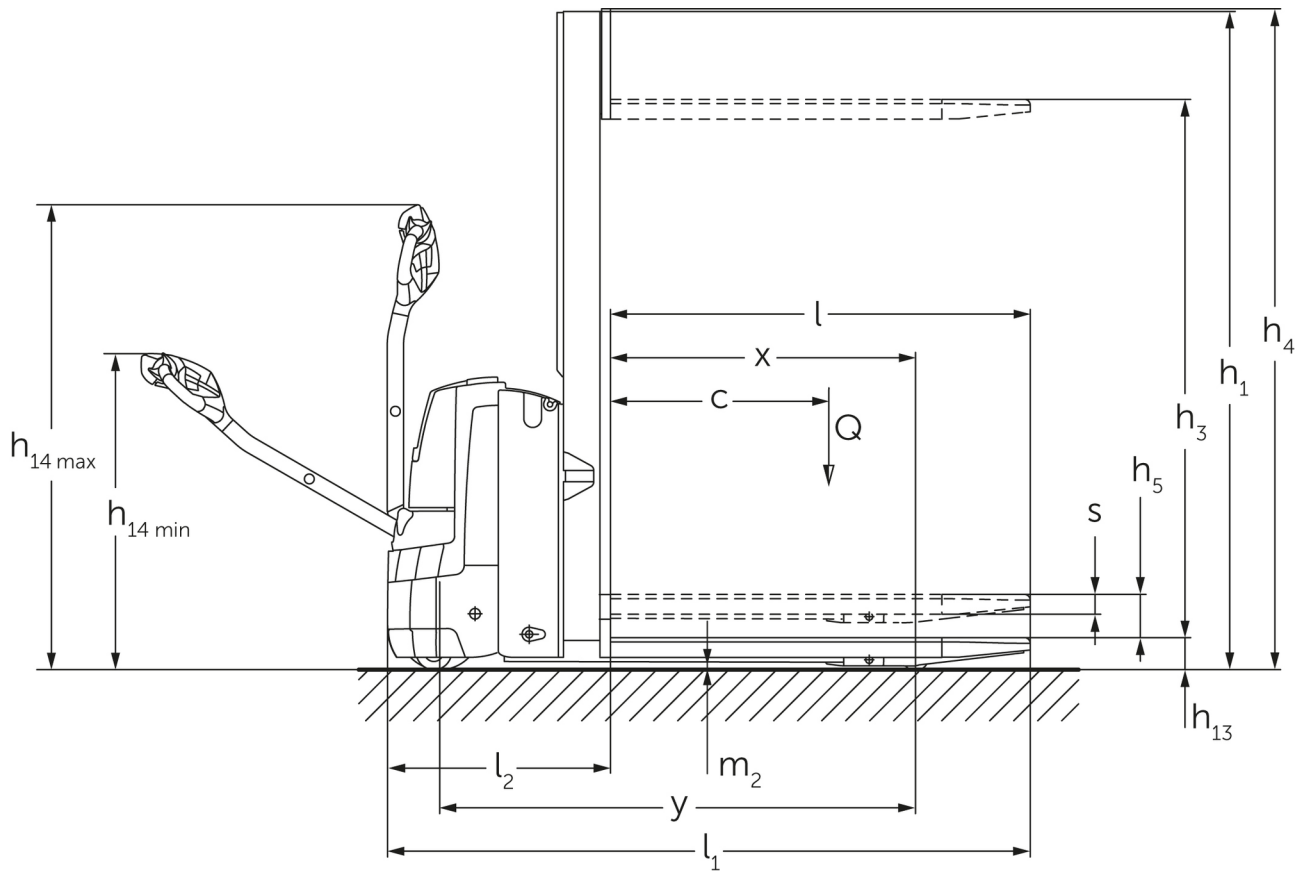




## **Electric pedestrian pallet truck** **EMD 118 / 115i**

**Lift height: 600-1520 mm / Load capacity: 1500-1800 kg**

# EMD 118 / 115i



EMD 118

# EMD 118 / 115i

EMD 115i	Lift (h3)	Retracted mast height (h1)
	600 mm	955 mm
	1520 mm	1865 mm

# VDI table

Stand-on: 10/2020

			Jungheinrich	
			EMD 118	EMD 115i
Characteristic	1.1	Manufacturer (abbreviated description)		
	1.2	Manufacturer's type designation		
	1.3	Drive		Electric
	1.4	Operation		Pedestrian
	1.5	Load capacity/load	Q kg	1800   1500
	1.5.1	Rated capacity/load with mast lift	Q kg	800
	1.5.2	Rated capacity/load with support arm lift	Q kg	2000   1500
	1.6	Load centre distance	c mm	600
	1.8	Load distance, centre of drive axle to fork	x mm	942
1.9	Wheelbase	y mm	1426   1356	
Weights	2.1.1	Service weight (incl. battery)	kg	650   510
	2.2	Axle load laden front/rear	kg	720 / 1730   660 / 1350
	2.3	Axle load unladen front/rear	kg	470 / 180   360 / 150
Wheels/suspension system	3.1	Tyres		PU
	3.2	Tyre size, front		Ø 230 x 65
	3.3	Tyre size, rear		Ø 75 x 95 / Ø 75 x 75
	3.4	Additional wheels		Ø 100 x 40
	3.5	Wheels, number front/back (x=driven)		1x +2 / 2
	3.6	Tread width, front	b <sub>10</sub> mm	508
	3.7	Tread width, rear	b <sub>11</sub> mm	365
Basic dimensions	4.2	Retracted mast height (h1)	h <sub>1</sub> mm	1865
	4.3	Free lift (h2)	h <sub>2</sub> mm	1520
	4.4	Lift (h3)	h <sub>3</sub> mm	1520
	4.5	Extended mast height (h4)	h <sub>4</sub> mm	1987
	4.6	Initial lift	h <sub>5</sub> mm	122
	4.9	Height of tiller handle in drive position min./max.	mm	797 / 1313
	4.15	Height, lowered	h <sub>13</sub> mm	86
	4.19	Overall length	l <sub>1</sub> mm	1818   1748
	4.20	Length including fork shank	l <sub>2</sub> mm	628   558
	4.21.1	Overall width	b <sub>1</sub> mm	726
	4.22	Fork dimensions	s/e/l mm	56 / 185 / 1190
	4.25	Width across forks	b <sub>5</sub> mm	550
	4.32	Ground clearance centre of wheelbase	m <sub>2</sub> mm	20
	4.34	Aisle width (pallet 1000x1200 sideways)	Ast mm	2018   1948
	4.34.1	Aisle width (pallet 800x1200 length)	Ast mm	2028   1958
4.35	Turning radius	W <sub>a</sub> mm	1522   1452	
Performance data	5.1	Travel speed laden/unladen	km/h	6 / 6
	5.2	Lift speed laden/unladen	m/s	0.18 / 0.3
	5.3	Lowering speed laden/unladen	m/s	0.19 / 0.19
	5.7	Gradeability laden/unladen	%	8 / 15
	5.10	Service brake		generative
E-motor/ Electronics	6.1	Drive motor, performance S2 60 min	kW	1
	6.2	Lift motor, performance with S3	kW	1.2
	6.3	Battery according to DIN 43531/35/36		DIN 43535 B
	6.4	Battery voltage/nominal capacity	V / Ah	24 / 150   24 / 40
	6.5	Battery weight	kg	151   17

	6.6	Energy consumption according to VDI cycle	kWh/h	0	
	6.6.1	Energy consumption according to EN cycle	kWh/h	0.58	0.43
	6.6.2	CO2 equivalent as per EN 16796	kg/h	0.3	0.2
Other	8.1	Type of drive control		AC	
	10.7	Sound level as per EN12053, operator's ear	dB (A)	64	
<p>- This data sheet according to VDI guideline 2198 only states the technical values of the standard truck. Different tyres, other masts, additional equipment etc. may result in different values.</p>					

- 1.5 with EMD 115i: For double-deck applications: Mast lift max. 0.75 t / overall load max. 1.5 t - 1.5 with EMD 118: For double-deck applications: Mast lift max. 0.8 t / overall load max. 1.8 t - 4.33: Diagonal as per VDI: + 313 mm - 4.34: Diagonal as per VDI: + 198 mm - 4.35: Load section raised; if load section lowered + 48 mm

The German production facilities in  
Norderstedt, Moosburg and Landsberg  
are certified.

ISO 9001  
ISO 14001

Jungheinrich fork lift trucks meet  
European safety requirements.



 **JUNGHEINRICH**

The Jungheinrich logo, featuring a red upward-pointing arrow integrated into the letter 'J', followed by the word 'JUNGHEINRICH' in a bold, black, sans-serif font.