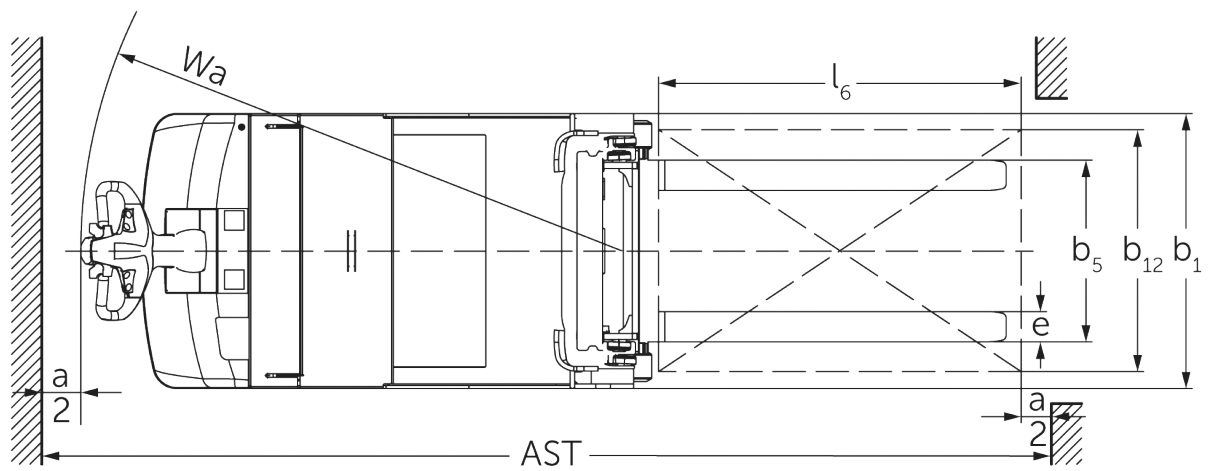
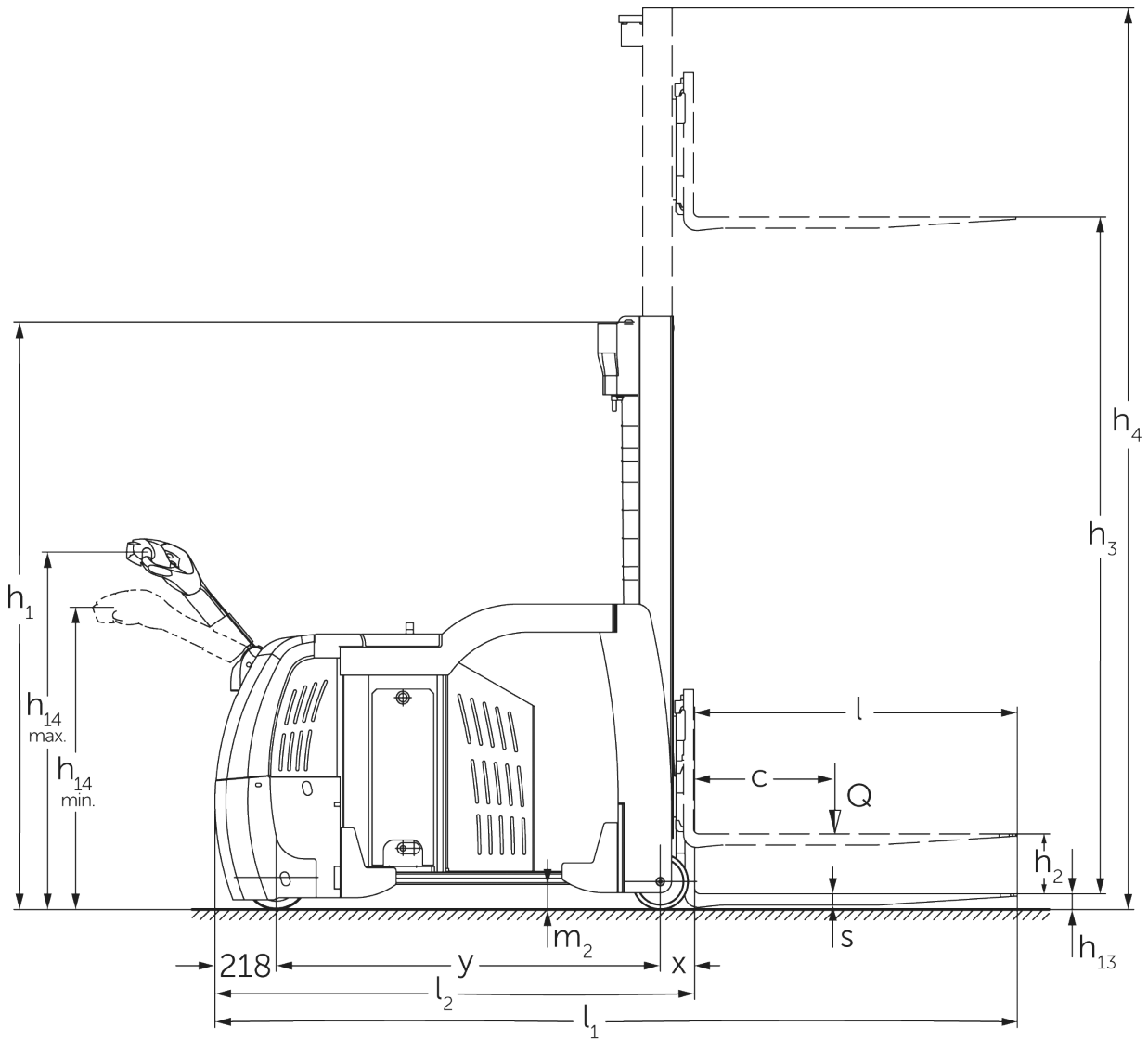




Cantilever electric pedestrian stacker **EJG 212-216**

Lift height: 2400-5350 mm / Load capacity: 1200-1600 kg

EJG 212-216



EJG 212-216

EJG 212	Lift (h3)	Retracted mast height (h1)	Free lift (h2)	Extended mast height (h4)
Duplex mast ZT	2500 mm	1965 mm	100 mm	3285 mm
	2700 mm	2065 mm	100 mm	3485 mm
	2900 mm	2165 mm	100 mm	3685 mm
	3200 mm	2315 mm	100 mm	3985 mm
	3600 mm	2515 mm	100 mm	4385 mm
Duplex mast ZZ	2500 mm	1915 mm	1225 mm	3285 mm
	2900 mm	2115 mm	1425 mm	3685 mm
	3200 mm	2265 mm	1575 mm	3985 mm
	3600 mm	2465 mm	1775 mm	4290 mm
Triplex mast DZ	4300 mm	2130 mm	1430 mm	5085 mm
	4700 mm	2265 mm	1565 mm	5490 mm
EJG 214	Lift (h3)	Retracted mast height (h1)	Free lift (h2)	Extended mast height (h4)
Duplex mast ZT	2500 mm	1965 mm	100 mm	3285 mm
	2700 mm	2065 mm	100 mm	3485 mm
	2900 mm	2165 mm	100 mm	3685 mm
	3200 mm	2315 mm	100 mm	3985 mm
	3600 mm	2515 mm	100 mm	4385 mm
	4100 mm	2765 mm	100 mm	4885 mm
	4300 mm	2865 mm	100 mm	5085 mm
Duplex mast ZZ	2500 mm	1915 mm	1130 mm	3285 mm
	2900 mm	2115 mm	1330 mm	3685 mm
	3200 mm	2265 mm	1480 mm	3985 mm
	3600 mm	2465 mm	1680 mm	4385 mm
	4100 mm	2715 mm	1930 mm	4885 mm
	4300 mm	2815 mm	2030 mm	5085 mm
Triplex mast DZ	4090 mm	2045 mm	1260 mm	4875 mm
	4300 mm	2115 mm	1330 mm	5085 mm
	4690 mm	2245 mm	1460 mm	5475 mm
	5350 mm	2465 mm	1680 mm	6135 mm
EJG 216	Lift (h3)	Retracted mast height (h1)	Free lift (h2)	Extended mast height (h4)
Duplex mast ZT	2400 mm	1965 mm	100 mm	3185 mm
	2600 mm	2065 mm	100 mm	3385 mm
	2800 mm	2165 mm	100 mm	3585 mm
	3100 mm	2365 mm	100 mm	3885 mm
	3500 mm	2515 mm	100 mm	4285 mm
	3800 mm	2665 mm	100 mm	4585 mm
	4000 mm	2765 mm	100 mm	4785 mm
	4200 mm	2865 mm	100 mm	4985 mm
Duplex mast ZZ	2400 mm	1915 mm	1130 mm	3185 mm
	2800 mm	2115 mm	1330 mm	3585 mm
	3100 mm	2265 mm	1480 mm	3885 mm
	3500 mm	2465 mm	1680 mm	4285 mm
	4000 mm	2715 mm	1930 mm	4785 mm
	4200 mm	2815 mm	2030 mm	4985 mm
Triplex mast DZ	3990 mm	2045 mm	1260 mm	4775 mm
	4200 mm	2115 mm	1330 mm	4985 mm
	4590 mm	2245 mm	1460 mm	5375 mm
	5250 mm	2465 mm	1680 mm	6035 mm

VDI table

Stand-on: 10/2020

Characteristic	No.	Description	Unit	Jungheinrich		
				EJG 212	EJG 214	EJG 216
Characteristic	1.1	Manufacturer (abbreviated description)		Jungheinrich		
	1.2	Manufacturer's type designation		EJG 212	EJG 214	EJG 216
	1.3	Drive		Electric		
	1.4	Operation		Pedestrian		
	1.5	Load capacity/load	Q kg	1200	1400	1600
	1.6	Load centre distance	c mm	500		
	1.8	Load distance, centre of drive axle to fork	x mm	120		
	1.9	Wheelbase	y mm	1130	1250	1370
	Weights	2.1.1	Service weight (incl. battery)	kg	2275	2285
2.2		Axle load laden front/rear	kg	685 / 2790	685 / 3000	685 / 3210
2.3		Axle load unladen front/rear	kg	1340 / 935	1375 / 910	1410 / 885
Wheels/suspension system	3.1	Tyres		PU		
	3.2	Tyre size, front		Ø 230 x 100		
	3.3	Tyre size, rear		Ø 200 x 100		
	3.5	Wheels, number front/back (x=driven)		1x / 2		
	3.7	Tread width, rear	b ₁₁ mm	764		
Basic dimensions	4.2	Retracted mast height (h1)	h ₁ mm	2165		
	4.3	Free lift (h2)	h ₂ mm	100		
	4.4	Lift (h3)	h ₃ mm	2800		
	4.5	Extended mast height (h4)	h ₄ mm	3585		
	4.9	Height of tiller handle in drive position min./max.	mm	1080 / 1275		
	4.15	Height, lowered	h ₁₃ mm	70		
	4.19	Overall length	l ₁ mm	2630	2750	2870
	4.20	Length including fork shank	l ₂ mm	1480	1600	1720
	4.21.1	Overall width	b ₁ mm	910		
	4.22	Fork dimensions	s/e/l mm	40 / 80 / 1150		
	4.24	Fork carriage width	b ₃ mm	680		
	4.25	Width across forks	b ₅ mm	580		
	4.32	Ground clearance centre of wheelbase	m ₂ mm	90		
	4.34.1	Aisle width (pallet 800x1200 length)	Ast mm	3210	3330	3450
	4.35	Turning radius	W ₃ mm	1630	1750	1870
Performance data	5.1	Travel speed laden/unladen	km/h	6 / 6		
	5.2	Lift speed laden/unladen	m/s	0.15 / 0.25		
	5.3	Lowering speed laden/unladen	m/s	0.37 / 0.34		
	5.8	Max. gradeability laden/unladen	%	5 / 9		
	5.10	Service brake		electric		
E-motor/ Electronics	6.1	Drive motor, performance S2 60 min	kW	2.8		
	6.2	Lift motor, performance with S3	kW	3		
	6.4	Battery voltage/nominal capacity	V / Ah	24 / 375		
	6.5	Battery weight	kg	306		
	6.6	Energy consumption according to VDI cycle	kWh/h	0		
	Other	8.1	Type of drive control		AC	

- This data sheet according to VDI guideline 2198 only states the technical values of the standard truck. Different tyres, other masts, additional equipment etc. may result in different values.

- 4.22: Fork carriage ISO 2328 type 2B

The German production facilities in
Norderstedt, Moosburg and Landsberg
are certified.

ISO 9001
ISO 14001

Jungheinrich fork lift trucks meet
European safety requirements.



 **JUNGHEINRICH**

The Jungheinrich logo, featuring a red upward-pointing arrow integrated into the letter 'J', followed by the word 'JUNGHEINRICH' in a bold, black, sans-serif font.