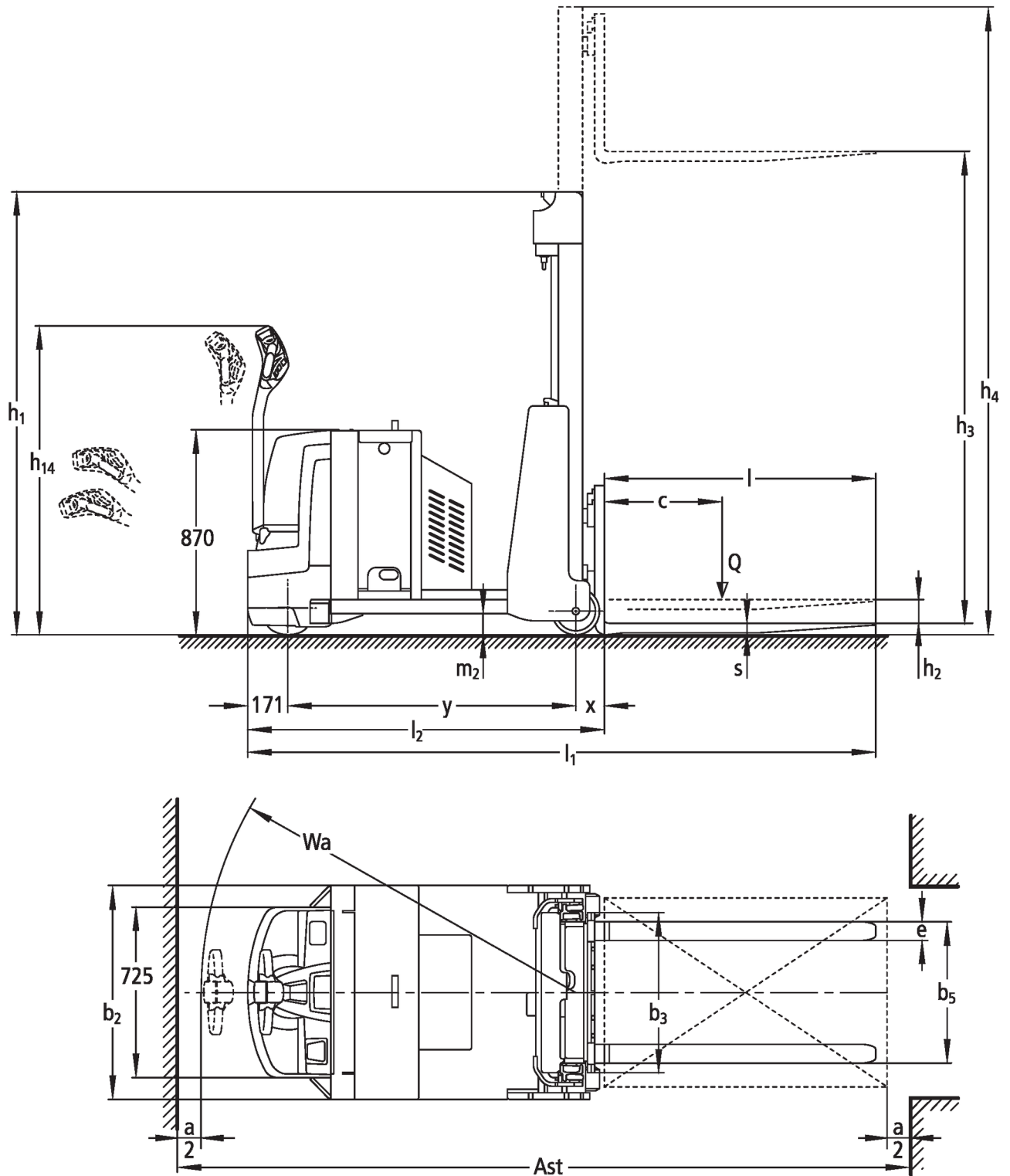




## **Cantilever electric pedestrian stacker** **EJG 106-112**

**Lift height: 2500-4700 mm / Load capacity: 600-1200 kg**

# EJG 106-112



# EJG 106-112

EJG 106, EJG 108, EJG 110, EJG 112	Lift (h3)	Retracted mast height (h1)	Free lift (h2)	Extended mast height (h4)
Duplex mast ZT	<b>2500 mm</b>	<b>1930 mm</b>	<b>100 mm</b>	<b>3153 mm</b>
	2700 mm	2030 mm	100 mm	3353 mm
	2900 mm	2130 mm	100 mm	3553 mm
	3200 mm	2280 mm	100 mm	3853 mm
	3600 mm	2480 mm	100 mm	4253 mm
	4100 mm	2730 mm	100 mm	4755 mm
	4300 mm	2830 mm	100 mm	4955 mm
Duplex mast ZZ	<b>2500 mm</b>	<b>1880 mm</b>	<b>1227 mm</b>	<b>3153 mm</b>
	2900 mm	2080 mm	1427 mm	3553 mm
	3200 mm	2230 mm	1577 mm	3853 mm
	3600 mm	2480 mm	1777 mm	4253 mm
	4100 mm	2680 mm	2025 mm	4755 mm
Triplex mast DZ	<b>4090 mm</b>	<b>2025 mm</b>	<b>1338 mm</b>	<b>4777 mm</b>
	4300 mm	2095 mm	1408 mm	4987 mm
	4700 mm	2230 mm	1543 mm	5392 mm

# VDI table

Stand-on: 10/2020

Characteristic	No.	Description	Unit	Jungheinrich			
				EJG 106	EJG 108	EJG 110	EJG 112
Characteristic	1.1	Manufacturer (abbreviated description)		Jungheinrich			
	1.2	Manufacturer's type designation		EJG 106	EJG 108	EJG 110	EJG 112
	1.3	Drive		Electric			
	1.4	Operation		Pedestrian			
	1.5	Load capacity/load	Q kg	600	800	1000	1200
	1.6	Load centre distance	c mm	500			
	1.8	Load distance, centre of drive axle to fork	x mm	120			
	1.9	Wheelbase	y mm	960	1090	1220	1350
	Weights	2.1.1	Service weight (incl. battery)	kg	1980	2045	2110
2.2		Axle load laden front/rear	kg	550 / 2030	550 / 2295	550 / 2560	550 / 2825
2.3		Axle load unladen front/rear	kg	1000 / 980	1030 / 1015	1070 / 1040	1100 / 1075
Wheels/suspension system	3.1	Tyres		-	PU		
	3.2	Tyre size, front		Ø 230 x 70			
	3.3	Tyre size, rear		Ø 200 x 100			
	3.5	Wheels, number front/back (x=driven)		1 x / 2			
	3.7	Tread width, rear	b <sub>11</sub> mm	734			
Basic dimensions	4.2	Retracted mast height (h1)	h <sub>1</sub> mm	1930			
	4.3	Free lift (h2)	h <sub>2</sub> mm	100			
	4.4	Lift (h3)	h <sub>3</sub> mm	2500			
	4.9	Height of tiller handle in drive position min./max.	mm	865 / 1320			
	4.15	Height, lowered	h <sub>15</sub> mm	70			
	4.19	Overall length	l <sub>1</sub> mm	2400	2530	2660	2790
	4.20	Length including fork shank	l <sub>2</sub> mm	1250	1380	1510	1640
	4.21.1	Overall width	b <sub>1</sub> mm	910			
	4.22	Fork dimensions	s/ e/l mm	40 / 80 / 1150			
	4.24	Fork carriage width	b <sub>3</sub> mm	680			
	4.32	Ground clearance centre of wheelbase	m <sub>2</sub> mm	90			
	4.34.1	Aisle width (pallet 800x1200 length)	Ast mm	2760	2890	3020	3150
	4.35	Turning radius	W <sub>a</sub> mm	1180	1310	1440	1570
Performance data	5.1	Travel speed laden/unladen	km/h	4.6 / 5.2			
	5.2	Lift speed laden/unladen	m/s	0.13 / 0.2			
	5.3	Lowering speed laden/unladen	m/s	0.43 / 0.4			
	5.8	Max. gradeability laden/unladen	%	9 / 12	8 / 12	7 / 12	6 / 12
	5.10	Service brake		electric			
E-motor/Electronics	6.1	Drive motor, performance S2 60 min	kW	1			
	6.2	Lift motor, performance with S3	kW	1.7			
	6.3	Battery according to DIN 43531/35/36		A			
	6.4	Battery voltage/nominal capacity	V / Ah	24 / 375			
	6.5	Battery weight	kg	306			
	6.6	Energy consumption according to VDI cycle	kWh/h	0			
Other	8.1	Type of drive control		AC			

- This data sheet according to VDI guideline 2198 only states the technical values of the standard truck. Different tyres, other masts, additional equipment etc. may result in different values.

The German production facilities in  
Norderstedt, Moosburg and Landsberg  
are certified.

ISO 9001  
ISO 14001

Jungheinrich fork lift trucks meet  
European safety requirements.



 **JUNGHEINRICH**

The logo features a red upward-pointing arrow integrated into the letter 'J' of the word 'JUNGHEINRICH', which is written in a bold, black, sans-serif font.