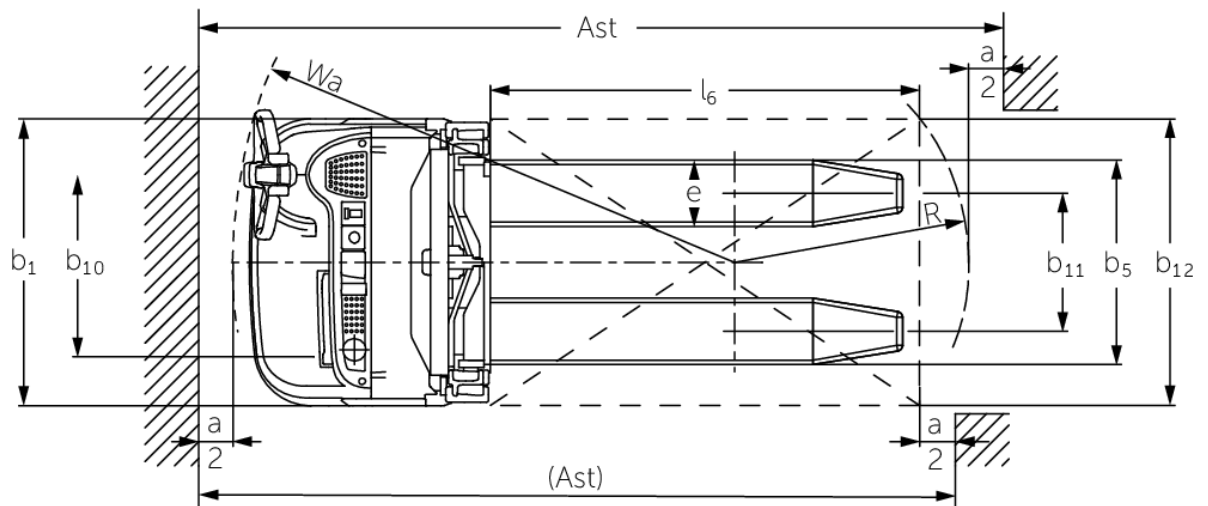
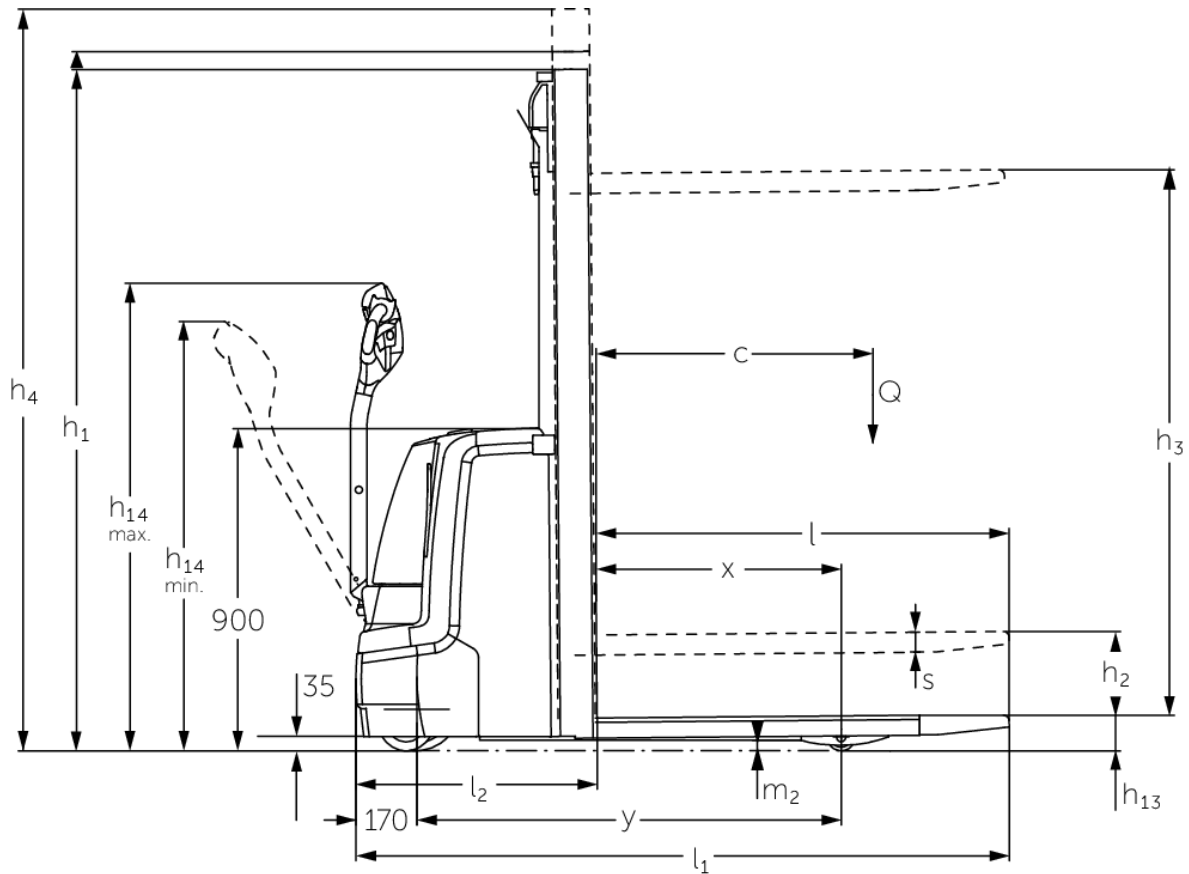




## **Electric pedestrian stacker** **EJC 110/ 112**

**Lift height: 2500-4700 mm / Load capacity: 1000-1200 kg**

# EJC 110/ 112



# EJC 110/ 112

<b>EJC 110</b>	<b>Lift (h3)</b>	<b>Retracted mast height (h1)</b>	<b>Free lift (h2)</b>	<b>Extended mast height (h4)</b>
Duplex mast ZT	2500 mm	1750 mm	100 mm	2975 mm
	2700 mm	1850 mm	100 mm	3175 mm
	2900 mm	1950 mm	100 mm	3375 mm
	3200 mm	2100 mm	100 mm	3675 mm
	3600 mm	2300 mm	100 mm	4075 mm
<b>EJC 110, EJC 112</b>	<b>Lift (h3)</b>	<b>Retracted mast height (h1)</b>	<b>Free lift (h2)</b>	<b>Extended mast height (h4)</b>
Triplex mast DZ	4090 mm	1845 mm	1338 mm	4597 mm
	4300 mm	1915 mm	1408 mm	4807 mm
<b>EJC 110, EJC 112, EJC 112 with ramp comfort</b>	<b>Lift (h3)</b>	<b>Retracted mast height (h1)</b>	<b>Free lift (h2)</b>	<b>Extended mast height (h4)</b>
Duplex mast ZT	2500 mm	1750 mm	100 mm	2975 mm
	2700 mm	1850 mm	100 mm	3175 mm
	2900 mm	1950 mm	100 mm	3375 mm
	3200 mm	2100 mm	100 mm	3675 mm
	3600 mm	2300 mm	100 mm	4075 mm
Duplex mast ZZ	2500 mm	1700 mm	1225 mm	2975 mm
	2900 mm	1900 mm	1425 mm	3375 mm
	3200 mm	2050 mm	1575 mm	3675 mm
	3600 mm	2250 mm	1775 mm	4075 mm
<b>EJC 112</b>	<b>Lift (h3)</b>	<b>Retracted mast height (h1)</b>	<b>Free lift (h2)</b>	<b>Extended mast height (h4)</b>
Triplex mast DZ	4700 mm	2050 mm	1543 mm	5207 mm
<b>EJC 112, EJC 112 with ramp comfort</b>	<b>Lift (h3)</b>	<b>Retracted mast height (h1)</b>	<b>Free lift (h2)</b>	<b>Extended mast height (h4)</b>
Duplex mast ZT	4100 mm	2550 mm	100 mm	4575 mm
	4300 mm	2650 mm	100 mm	4775 mm
Duplex mast ZZ	4100 mm	2500 mm	2025 mm	4575 mm
	4300 mm	2600 mm	2125 mm	4775 mm

# VDI table

Stand-on: 10/2020

Characteristic	1.1	Manufacturer (abbreviated description)	Jungheinrich			
	1.2	Manufacturer's type designation	EJC 110	EJC 112	EJC 112 ramp comfort	
Characteristic	1.3	Drive	Electric			
	1.4	Operation	Pedestrian		Pedestrian/tiller	
	1.5	Load capacity/load	Q kg	1000	1200	
	1.6	Load centre distance	c mm	600		
	1.8	Load distance, centre of drive axle to fork	x mm	681	688	683
	1.9	Wheelbase	y mm	1184	1191	1186
	Weights	2.1.1	Service weight (incl. battery)	kg	750	830
		2.2	Axle load laden front/rear	kg	570 / 1180	650 / 1380
		2.3	Axle load unladen front/rear	kg	510 / 240	580 / 250
Wheels/suspension system	3.1	Tyres	PU			
	3.2	Tyre size, front	Ø 230 x 70			
	3.3	Tyre size, rear	Ø 77 x 75	Ø 85 x 110	Ø 85x90	
	3.4	Additional wheels	Ø 150 x 54	Ø 140 x 54	Ø 140x54	
	3.5	Wheels, number front/back (x=driven)	1x +1/2			
	3.6	Tread width, front	b <sub>10</sub> mm	507		
	3.7	Tread width, rear	b <sub>11</sub> mm	415	400	
Basic dimensions	4.2	Retracted mast height (h1)	h <sub>1</sub> mm	1950		
	4.3	Free lift (h2)	h <sub>2</sub> mm	100		
	4.4	Lift (h3)	h <sub>3</sub> mm	2900		
	4.5	Extended mast height (h4)	h <sub>4</sub> mm	3375		
	4.9	Height of tiller handle in drive position min./max.	mm	850 / 1305		
	4.15	Height, lowered	h <sub>13</sub> mm	90		
	4.19	Overall length	l <sub>1</sub> mm	1822		
	4.20	Length including fork shank	l <sub>2</sub> mm	672		
	4.21.1	Overall width	b <sub>1</sub> mm	800		
	4.22	Fork dimensions	s/ e/l mm	56 / 185 / 1150		
	4.25	Width across forks	b <sub>5</sub> mm	570		
	4.32	Ground clearance centre of wheelbase	m <sub>2</sub> mm	30		
	4.34	Aisle width (pallet 1000x1200 sideways)	Ast mm	2071	2285	
	4.34.1	Aisle width (pallet 800x1200 length)	Ast mm	2121	2259	
	4.35	Turning radius	W <sub>a</sub> mm	1402	1409	1405
Performance data	5.1	Travel speed laden/unladen	km/h	6 / 6		
	5.2	Lift speed laden/unladen	m/s	0.12 / 0.22	0.13 / 0.22	0.18 / 0.29
	5.3	Lowering speed laden/unladen	m/s	0.33 / 0.33	0.43 / 0.37	0.49 / 0.39
	5.8	Max. gradeability laden/unladen	%	8 / 16		
	5.10	Service brake		generative		
E-motor/Electronics	6.1	Drive motor, performance S2 60 min	kW	1		
	6.2	Lift motor, performance with S3	kW	1.7	2	3
	6.3	Battery according to DIN 43531/35/36		British Standard		
	6.4	Battery voltage/nominal capacity	V / Ah	24 / 200		
	6.5	Battery weight	kg	185		
	6.6	Energy consumption according to VDI cycle	kWh/h	0	0.93	
	6.6.1	Energy consumption according to EN cycle	kWh/h	0.61	0.66	-

	6.6.2	CO2 equivalent as per EN 16796	kg/h	0.3	0.4	0
Other	8.1	Type of drive control		AC		
	10.7	Sound level as per EN12053, operator's ear	dB (A)	62		
- This data sheet according to VDI guideline 2198 only states the technical values of the standard truck. Different tyres, other masts, additional equipment etc. may result in different values.						

1) Diagonal as per VDI: + 137 mm 2) Diagonal as per VDI: + 212 mm 3) Values for 290 ZT standard mast type with battery

The German production facilities in  
Norderstedt, Moosburg and Landsberg  
are certified.

ISO 9001  
ISO 14001

Jungheinrich fork lift trucks meet  
European safety requirements.



 **JUNGHEINRICH**

The Jungheinrich logo, featuring a red upward-pointing arrow integrated into the letter 'J', followed by the brand name 'JUNGHEINRICH' in a bold, black, sans-serif font.