

High energy efficiency

jetPILOT

curveCONTROL

Individual options for an optimum workstation



EZS 350

Electric tow tractor (5,000 kg)

Robust, versatile and economic – these are the advantages of our EZS 350 electric tow tractor. These high-performance tow tractors are suitable for any application in tow trains with tow loads up to 5,000 kg.

In addition to outstanding ride comfort and safety, our EZS 350 tow tractor also offers increased performance with low energy consumption:

- Optimised handling even in difficult situations.
- curveCONTROL steer-angle-dependent assistance system for stable cornering.
- Easily accessible coupling: From the operator position, the coupling is clearly visible and easy to reach. Different couplings are available.
- Generous and comfortable operator position: The low stand-on platform makes it easy to climb aboard.
- Automatic parking brake with anti roll-back function: When the truck comes to a halt, the tow tractor and trailer are automatically secured.
- Powerful and efficient 3-phase AC drive motor provides strong acceleration and high top speed.

- Regenerative braking: The braking energy is fed back into the battery, thereby extending its operating period.
- The optional LED lighting is environmentally friendly and not sensitive to vibrations.
- Fast battery replacement: The battery can either be lifted out by crane or optionally replaced from the side.
- The comfort features guarantee specific adaptation to all applications.

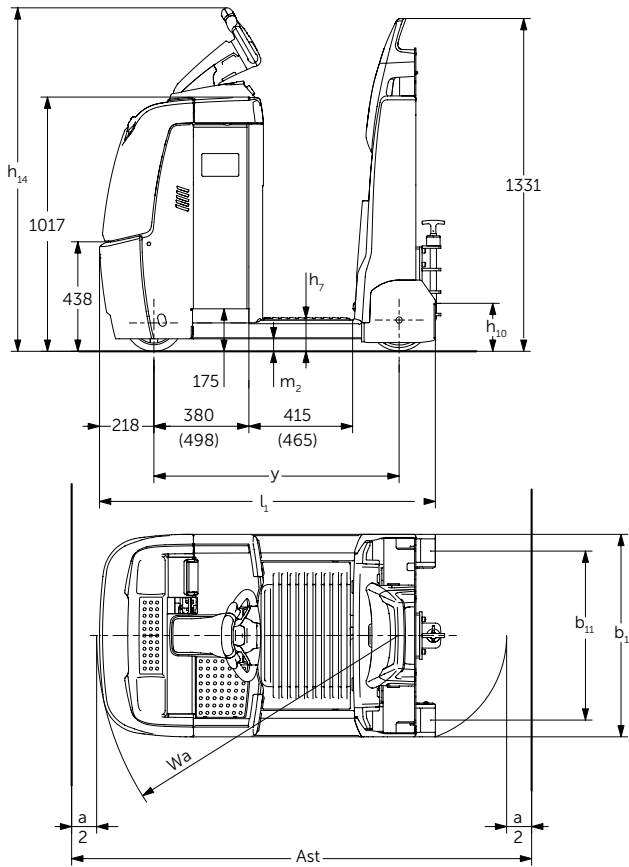
The jetPILOT multifunctional steering wheel also features:

- Intuitive and comfortable operation, similar to a car, plus a safe and secure grip.
- Reduced strain on neck and spinal column when cornering.
- One-handed operation and automatic return of the steering wheel to straight line travel.
- Adjustable to individual body size.

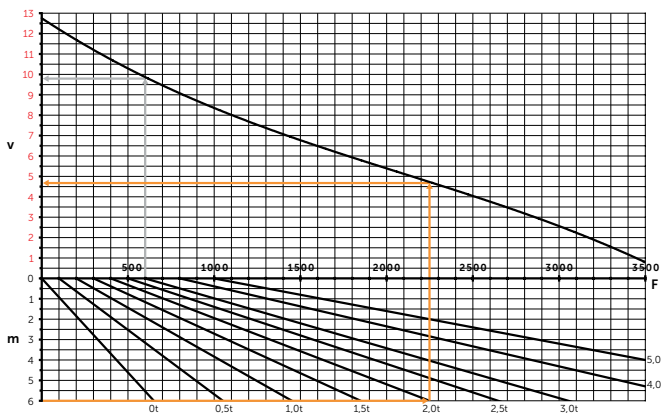
Sophisticated ergonomics and technology in the form of our EZS 350 ensure safe, effortless working combined with cost and energy efficiency.

 **JUNGHEINRICH**

EZS 350



Pulling ability



v =speed [km/h], m =incline [%], F =drawbar pull [N]

Reading examples:

- Example: The EZS 350 can operate with a 3 tonne load on the level. To do this it requires a drawbar pull of 600 N and can achieve an approximate speed of 9.9 km/h.
- The EZS 350 is able to drive up a 6% gradient with a 2 t load. To do this it requires a drawbar pull of 2230 N and can achieve an approximate speed of 4.8 km/h.

Note:

The EZS 350 is not suitable for continuous operations over 1000 N.

For inclines greater than 4% it is recommended that braked trailers be used.

Technical data in line with VDI 2198

		Jungheinrich						
Identification	1.1	Manufacturer (abbreviation)						
	1.2	Model	EZS 350					
			L standard	L Comfort	XL Standard	XL Comfort		
	1.3	Drive	Electric					
	1.4	Manual, pedestrian, stand-on, seated, order picker operation	stand-on					
Weights	1.5	Load capacity/rated load	Q	t	5			
	1.7	Rated drawbar pull	F	N	1,000			
	1.9	Wheelbase	y	mm	980	1,030	1,098	1,148
	2.1.1	Net weight incl. battery (see row 6.5)		kg	996	1,006	1,091	1,101
	2.3	Axle loading, unladen front/rear		kg	505 / 491	510 / 496	565 / 526	570 / 531
Wheels / frame	3.1	Tyres	Vu/Su					
	3.2	Tyre size, front		mm	ø230 x 77			
	3.3	Tyre size, rear		mm	ø250 x 80			
	3.5	Wheels, number front/rear (x = driven wheels)	1x/2					
	3.7	Tread width, rear	b ₁₁	mm	680			
Basic dimensions	4.8.1	Standing height	h ₇	mm	125			
	4.9	Height of tiller in drive position min. / max.	h ₁₄	mm	1,374 ¹⁾			
	4.12	Coupling height	h ₁₀	mm	158 ²⁾			
	4.19	Overall length	l ₁	mm	1,350 ⁵⁾	1,400 ⁵⁾	1,468 ⁵⁾	1,518 ⁵⁾
	4.21	Overall width	b ₁ /b ₂	mm	810			
	4.32	Ground clearance, centre of wheelbase	m ₂	mm	50			
Performance data	4.35	Turning radius	W _a	mm	1,220	1,270	1,338	1,388
	5.1	Travel speed, laden/unladen		km/h	8 / 12.5 ⁴⁾			
	5.5	Drawbar pull, laden/unladen		N	1,000 ³⁾			
	5.6	Max. drawbar pull, laden/unladen		N	3,700			
Electrics	5.10	Service brake	regenerative					
	6.1	Drive motor, output S2 60 min.		kW	2.8			
	6.3	Battery as per DIN 43531/35/36 A, B, C, no	no					
	6.4	Battery voltage/nominal capacity K5		V/Ah	24 / 465	24 / 465	24 / 620	24 / 620
	6.5	Battery weight		kg	370	370	460	460
Misc.	8.1	Type of drive control	AC speedCONTROL					
	8.4	Sound pressure level at operator's ear as per EN 12053		dB (A)	66			

¹⁾ jetPILOT height

²⁾ Other coupling heights available

³⁾ Rated drawbar pull

⁴⁾ See diagram

⁵⁾ Total length without coupling, as different coupling systems are available.

Benefit from the advantages



jetPILOT – the original from Jungheinrich



Backrest with folding seat (optional)



Easy entry and exit



Different couplings available (optional)

Powerful and efficient drive concept

- Powerful acceleration and high top speed.
- High efficiency levels with excellent energy management.
- Safe cornering speed due to Curve Control.
- Regenerative braking with energy recovery.

Comfortable and safe operation

- The balanced frame guarantees traction at all times.
- Different backrests available.
- Additional cushioned stand-on platform (optional).
- Programmable crawl speed button allows travel at reduced speed.
- Three alternative travel programs can be set to suit every specific need.

Rugged construction for the toughest applications

- Impact-resistant steel drive panel.
- High-quality stainless steel skirt raised extra high on the front panel.
- Robust LED lights (optional).

Long operating times available with lead-acid battery

Energy-efficient 3-phase AC technology and high battery capacities allow for long

operating times:

- Different batteries available from 375 to 620 Ah.
- Lateral battery exchange option for multi-shift environments (optional).

Complete overview provided by central display and setting instrument

- Activation of the truck by EasyAccess via softkey, PIN code or transponder card (optional).
- The 2-inch display provides information on the battery discharge status, number of operating hours, travel speed as well as error codes and offers the option of selecting from three travel programs via softkey (optional).

All the better to see and be seen

- Integrated dayLED daytime running lights for better visibility in poorly lit areas (optional).
- Floor-Spot – significant reduction in the risk of collision in blind spots due to a red dot of light projected onto the floor approx. 3 m in front of the truck (optional).

Additional equipment

A comprehensive range of accessories allows for individual adaptation to your

application:

- Different couplings.
- Reverse movement device for simple coupling and decoupling.
- Hydraulic or electric supply connections for our GTE and GTP trailers.
- Sturdy, universally applicable options bracket, e.g. for radio data transmission components.
- Further options for the right configuration of the tow tractor.

Lithium-ion technology

- High degree of availability thanks to extremely short charging times.
- No battery exchange required.
- Cost savings due to longer service life and low maintenance compared with lead-acid batteries.
- No charging rooms and ventilation required as there is no build up of gas.
- Longer service life with 5-year Jungheinrich guarantee.

Jungheinrich UK Ltd.

Head Office:
Sherbourne House
Sherbourne Drive
Tilbrook
Milton Keynes MK7 8HX
Telephone 01908 363100
Fax 01908 363180

info@jungheinrich.co.uk
www.jungheinrich.co.uk

The German production facilities in Norderstedt, Moosburg and Landsberg are certified. **ISO 9001**
ISO 14001

Jungheinrich fork lift trucks meet European safety requirements.



JUNGHEINRICH