

Powerful, maintenance-free
3-phase AC drive motor

Manoeuvrable and compact

Optimum driving
characteristics with
ProTracLink

Exact load positioning

LION
technology



EJD 118

Electric pedestrian controlled truck (1,800 kg)

The EJD 118 electric pedestrian controlled truck shows its strengths in areas with limited space, providing high performance levels and high flexibility. It combines the features of a pedestrian pallet truck and stacker truck in a single unit, yet is small and compact:

- The EJD 118 is a cost effective pedestrian pallet truck for use over short transport distances with loads weighing up to 2000 kg.
- It can be used as a stacker truck up to a lift height of 2100 mm.
- As a double-deck stacker, the EJD can pick up 2 Euro pallets stacked on top of each other at the same time, cutting operating times in half (capacity in double-deck mode: 800 kg in mast lift and 1000 kg in support arm lift).

The speed-controlled hydraulic motor and optionally available proportional hydraulics ensure fast and reliable handling of pallets. Precise load positioning with sensitive lifting (standard) as well as the gentle depositing of sensitive goods in racking or on the floor (optional) are effortless tasks for the EJD 118.

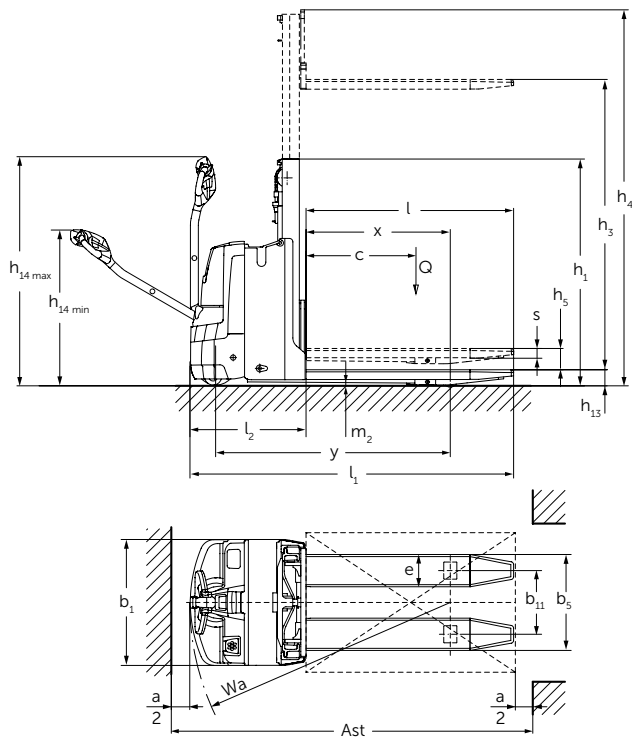
With its short front-end length of just 660 mm and narrow aisle width, the EJD 118 can be used in shops, in very tight storage areas or on an HGV. It also features a low overall height with the viewing window integrated into the mast. This ensures that each operator, irrespective of their height, always has an optimal view of the forks and surrounding areas. The long tiller requires little steering effort and increases safety.

The EJD also offers impressive features for easy power management: The optionally available, maintenance-free lithium-ion battery (110 Ah) can be recharged at any 230 V mains socket using the built-in charger. Rapid and boost charge features, facilitate flexible usage even in multi-shift operation. In addition, the silentDRIVE option provides an ideal solution for use in noise-sensitive areas or time periods.

The EJD 118 is a pedestrian controlled truck designed for universal use which, thanks to its compact design and low weight, can also efficiently perform transport and stacking operations in confined spaces.

JUNGHEINRICH

EJD 118



Standard mast designs EJD 118

	Lift h_3 (mm)	Lowered mast height h_1 (mm)	Free lift h_2 (mm)	Extended mast height h_4 (mm)
Single E	1500	1964	1479	1985
	2100	2564	2079	2585
Duplex ZT	1660	1350	100	2150
	2010	1530	100	2500
	2100	1570	100	2590

Technical data in line with VDI 2198

				Jungheinrich		
Identification	1.1	Manufacturer (abbreviation)		EJD 118		
	1.2	Model		Battery compartment S Battery compartment M		
	1.3	Drive		Electric		
	1.4	Manual, pedestrian, stand-on, seated, order picker operation		pedestrian		
	1.5	Load capacity/rated load	Q	t	1.8 ³⁾	
	1.5.1	Load capacity/load with mast lift	Q	t	1 ³⁾	
	1.5.2	Load capacity/load with support arm lift	Q	t	2 ³⁾	
	1.6	Load centre distance	c	mm	600	
	1.8	Load distance	x	mm	912	
	1.9	Wheelbase	y	mm	1,426	1,488
Weights	2.1.1	Net weight incl. battery (see row 6.5)		kg	737 787	
	2.2	Axle loading, laden front/rear		kg	951 / 1,598 970 / 1,629	
	2.3	Axle loading, unladen front/rear		kg	540 / 197 575 / 212	
Wheels / frame	3.1	Tyres		PU		
	3.2	Tyre size, front		Ø 230 x 65		
	3.3	Tyre size, rear		Ø 75 x 95 / Ø 75 x 75		
	3.4	Additional wheels (dimensions)		Ø 100 x 40		
	3.5	Wheels, number front/rear (x = driven wheels)		1x +2 / 2 or 4		
	3.6	Tread width, front	b ₁₀	mm	508	
	3.7	Tread width, rear	b ₁₁	mm	365	
Basic dimensions	4.4	Lift		h ₃	mm	1,660
	4.6	Initial lift		h ₅	mm	122
	4.9	Height of tiller in drive position min. / max.		h ₁₄	mm	797 / 1,313
	4.15	Height, lowered		h ₁₃	mm	86
	4.19	Overall length		l ₁	mm	1,858 1,920
	4.20	Length to face of forks		l ₂	mm	660 722
	4.21	Overall width		b ₁ /b ₂	mm	726
	4.22	Fork dimensions		s/e/l	mm	56 / 185 / 1,190
	4.25	Width across forks		b ₅	mm	550
	4.32	Ground clearance, centre of wheelbase		m ₂	mm	20
4.33	Aisle width for pallets 1000 × 1200 crossways		Ast	mm	2,058 ²⁾ 2,120 ²⁾	
4.34	Aisle width for pallets 800 × 1200 lengthways		Ast	mm	2,068 ¹⁾ 2,130 ¹⁾	
4.35	Turning radius		W _a	mm	1,524 ⁴⁾ 1,586 ⁴⁾	
Performance data	5.1	Travel speed, laden/unladen		km/h	6 / 6	
	5.2	Lift speed, laden/unladen		m/s	0.16 / 0.3	
	5.3	Lowering speed, laden/unladen		m/s	0.19 / 0.19	
	5.8	Max. gradeability, laden/unladen		%	8 / 15	
	5.10	Service brake			regenerative	
Electrics	6.1	Drive motor, output S2 60 min.		kW	1.0	
	6.2	Lift motor, output at S3 15%		kW	1.2	
	6.3	Battery as per DIN 43531/35/36 A, B, C, no			43535 B	
	6.4	Battery voltage/nominal capacity K5		V/Ah	24 / 150 24 / 250	
	6.5	Battery weight		kg	151 200	
	6.6	Energy consumption as per EN 16796		kWh/h	0.59	
	CO- Equivalent as per EN 16796		kg/h	0.3		
Misc.	8.1	Type of drive control			AC speedCONTROL	
	8.4	Sound pressure level at operator's ear as per EN 12053		dB (A)	64	

¹⁾ Diagonal as per VDI: + 186 mm

²⁾ Diagonal as per VDI: + 289 mm

³⁾ In double-deck operation: Mast lift max. 0.8 t / overall load max. 1.8 t

⁴⁾ Raised load section, when load section lowered + 48 mm

Benefit from the advantages



Double-deck operation: Loading of two pallets one above the other



Universal application options: use as lift platform



Compact, due to extremely short front end dimension



Optimum view of the forks and surrounding areas

Working safely in very confined spaces

With its compact dimensions, the EMD is ideally suited to almost any application, even in confined spaces:

- Unobtrusive and reliable handling in shops with customers present due to very short front-end length and narrow aisle width.
- Optimum view of the load due to low mast height and integrated viewing window
- Low service weight for use in a delivery truck, on intermediate floors or in a lift.

Flexible application

The integrated support arm lift and permanently connected ProTracLink support wheels make the EJD 118 a flexible truck for universal use:

- Ideal in pallet truck applications over short transport distances with loads up to 2000 kg.
- Efficient as a double-deck truck for transporting two Euro pallets stacked on top of each other (support arm lift 1000 kg/mast lift 800 kg).
- Can be used as a stacker truck for light stacking tasks up to a weight of 1000 kg and lift height of 2100 mm.

Optimum pallet handling

Numerous performance features make stacking and retrieving with the EJD particularly safe and efficient, including:

- Precise and gentle lifting of the load by speed-controlled hydraulic motor.
- Gentle depositing of loads using proportional hydraulics (optional).
- Long safety tiller provides sufficient distance between operator and truck.
- Optimum view of the fork tips, even for small operators.

Stable handling

The sprung, hydraulically cushioned support wheels of the EJD are connected via the patented ProTracLink torsion bar which distributes the force depending on the situation. Ideal for applications on a loading ramp and for loading/unloading HGVs.

Fully informed at all times

The 2-inch display (optional) as a central display and adjustment instrument offers user control at a glance:

- Battery charge status, number of operating hours and event messages.
- Choice of 3 travel programs.

- Activation of the truck by EasyAccess via softkey, PIN code or transponder card (optional).

Additional equipment

A comprehensive range of accessories allows for individual adaptation to your application:

- Tandem load rollers.
- Silent load rollers.
- Load guard.
- Built-in charger.
- Cold store version.
- silentDRIVE for quiet operation.

Lithium-ion technology

- High degree of availability thanks to extremely short charging times.
- No battery exchange required.
- Cost savings due to longer service life and low maintenance compared with lead-acid batteries.
- No charging rooms and ventilation required as there is no build up of gas.
- Longer service life with 5-year Jungheinrich guarantee.

Jungheinrich UK Ltd.

Head Office:
Sherbourne House
Sherbourne Drive
Tilbrook
Milton Keynes MK7 8HX
Telephone 01908 363100
Fax 01908 363180

info@jungheinrich.co.uk
www.jungheinrich.co.uk

The German production facilities in Norderstedt, Moosburg and Landsberg are certified. **ISO 9001**
ISO 14001

Jungheinrich fork lift trucks meet European safety requirements.



JUNGHEINRICH